

bemodern

FIRES | FIREPLACES

P R  Z M

REVOLUTIONIZING FLAMES

Impero Marble Wall Suites

Pryzm 750, 1000



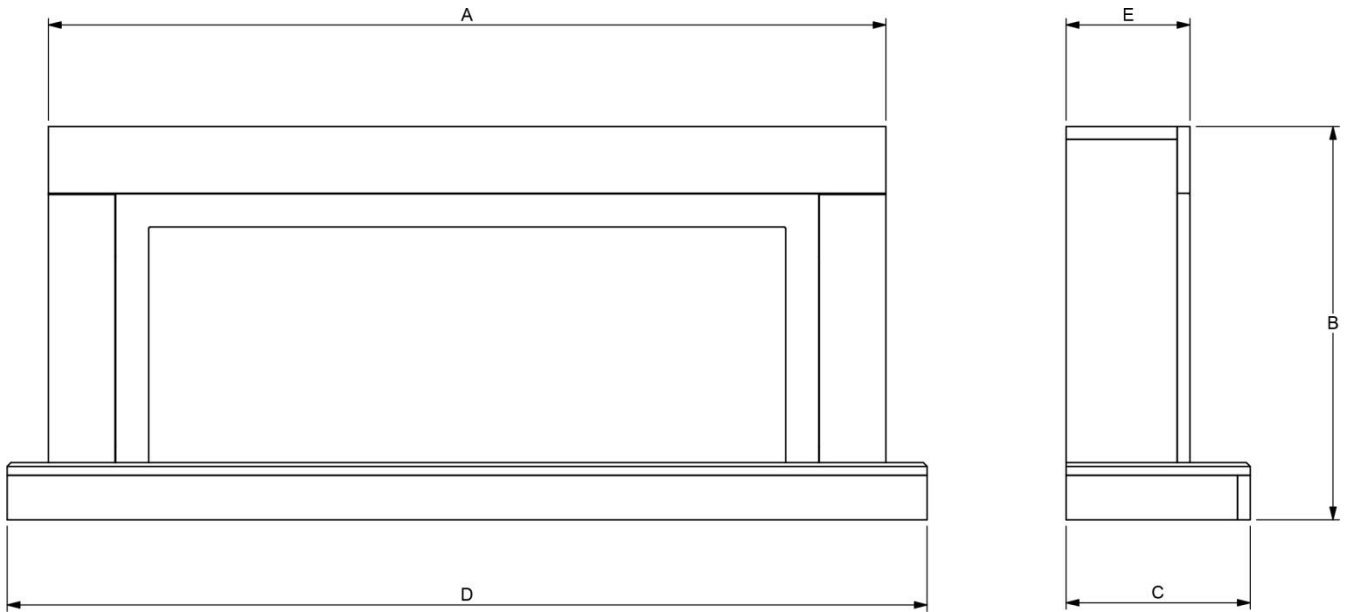
Instructions for installation

Patent pending
UK Registered Design

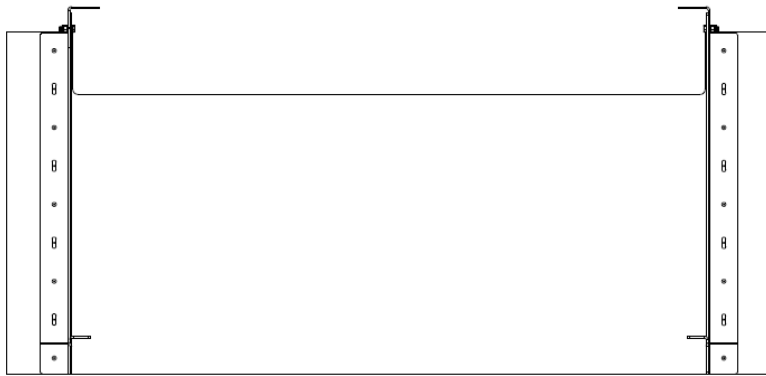
Contents

Technical Specs	3
Contents of Fixings Box	4
Installation – Wall Marble	5 - 9
Maintenance	10

Technical Specification of suites

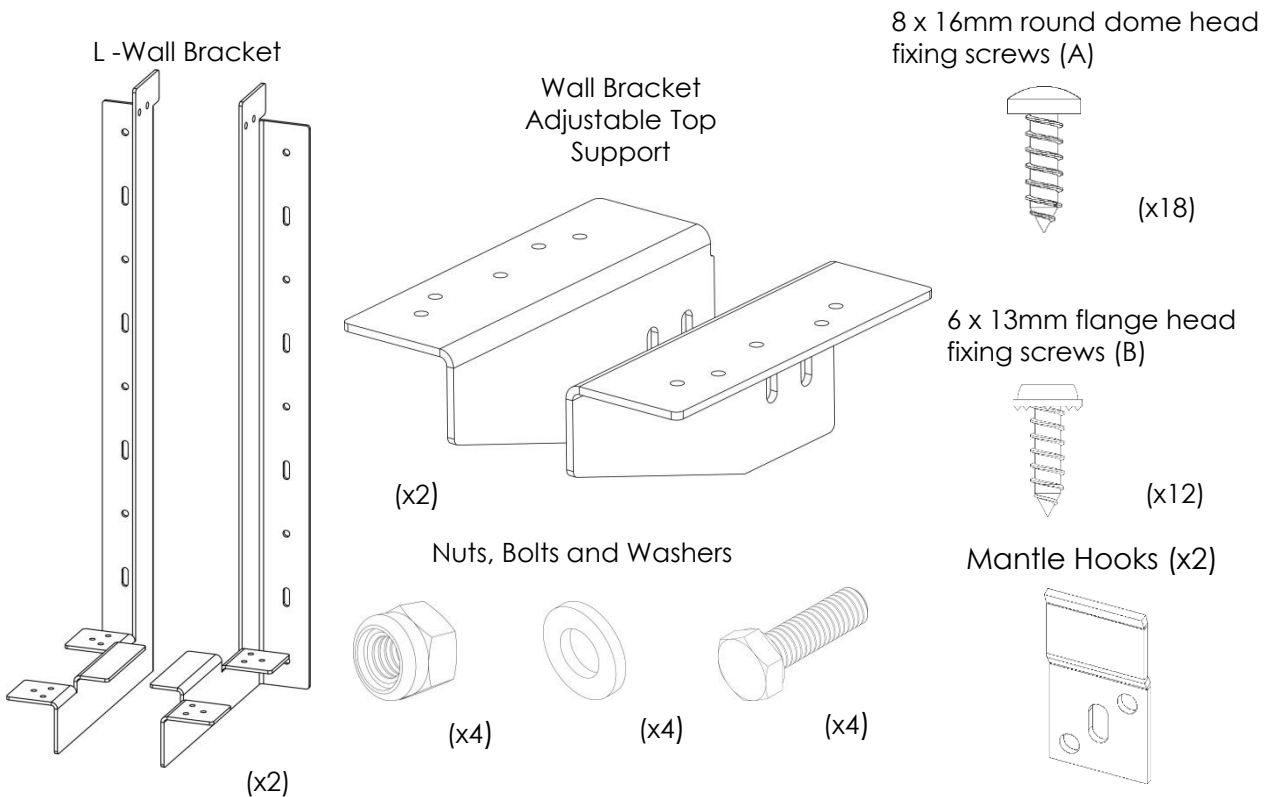


Fire	Description	Logs	Dimensions				
			A	B	C	D	E
57" IMPERO PRYZM 5D 1000	Micro Marble Wall Hung	4 LRG	1320mm	619mm	290mm	1450mm	195mm
47" IMPERO PRYZM 5D 750		4 SML	1070mm	619mm	290mm	1200mm	195mm



Predrilled Plywood
Fixing Panel (x1)
located in the rear
of the surround

Contents of fixings box



***Please note the L-Wall brackets come pre-assembled with the top support brackets.**

IMPORTANT NOTE:

Wall fixings (i.e. screws/wall plugs etc.) are not supplied as these are crucially dependent upon the type of wall and surface the surround is going to be fixed too.

The installer is therefore responsible for ensuring that suitable fittings are used according to the particular model to be installed as well as individual fitting situations and environments. All mechanical fixings, for holding the suite in position, must be secured to a solid wall or structure.

Installation – Wall Marble

Note: the surround / fixing panel is a two adult person lift. A second person will be required to lift and support the surround fixing panel.

Before the surround can be installed, consideration will need to be given to routing the power supply to the fire. This will affect the stages of the installation process. We advise a qualified electrician conduct any electrical parts of the installation.

Unpack your new suite and locate the Plywood fixing panel. Please note this installation guide is detailed for both 750 and 1000 Pryzm so please familiarise yourself with the model you have purchased before beginning installation. The plywood fixing panel is to be used so the weight of the surround can be distributed across a larger area and enable the installer to achieve a good solid fix to the wall in various points across the panel as detailed in the following instruction.

The first step to installation will be the fitment of the fixing panel (**See Diagram 1**) in the desired position in the room. Decide on the location of the surround and the desired installation height, we recommend a height (**C**) between 300mm and 500mm from the floor, however the product can be installed at any desired height. If fixing into a stud wall locate the studs and consider positioning the fixing panel / surround over as many studs as possible. **(Min of 2 studs recommended. Additional fixings should be used if less than two studs can be located)**
Note: The bottom of the fixing panel corresponds with the bottom of the surround.

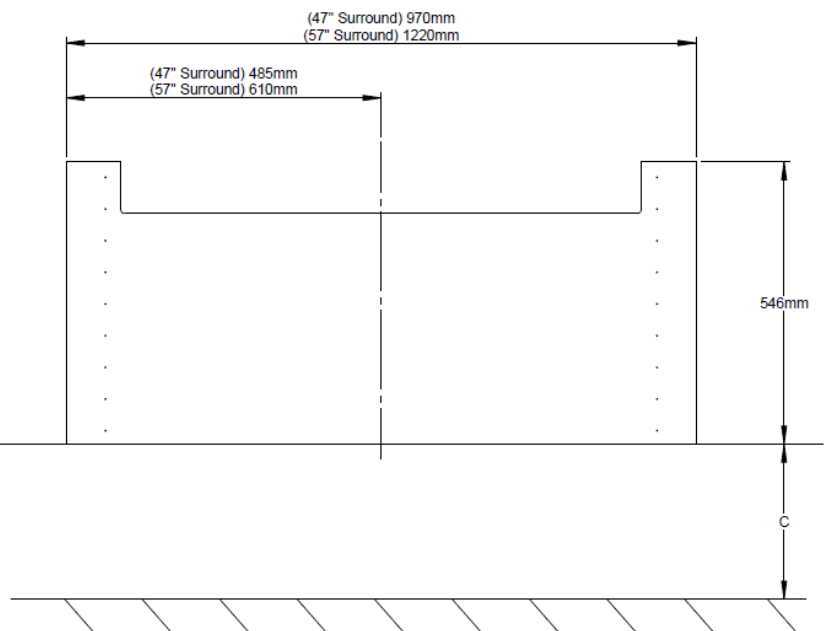


Diagram 1

Once the location and desired height has been decided, mark the centre of the space where the fixing panel / surround will be installed at the desired height (See **X** on **Diagram 1**). Draw a horizontal line using a spirit level. Holding the fixing panel up so the bottom of the panel corresponds with the line. (It is recommended a minimum of twelve fixings are used). Drill through the plywood panel marking the wall in the twelve fixing locations, remove the plywood fixing panel away from the wall, drill and plug the wall with the correct fixings for the wall medium – **See important note below**. Beads of silicone / no nails should be applied to the back of the fixing panel prior to firmly securing to the wall.

IMPORTANT NOTE:

Wall fixings (i.e. screws/wall plugs etc.) are not supplied as these are crucially dependent upon the type of wall and surface the surround is going to be fixed too. The installer is therefore responsible for ensuring that suitable fittings are used according to the particular model to be installed as well as individual fitting situations and environments. All mechanical fixings, for holding the suite in position, must be secured to a solid wall or structure.

Installation – Wall Marble

Note: the surround / fixing panel is a two adult person lift. A second person will be required to lift and support the surround.

Once the assembled fixing panel is secured in place, attach the two off L- wall brackets onto the plywood panel in the pre-drilled locations using 9 x screw (A) to secure each bracket. See diagram 2 below.

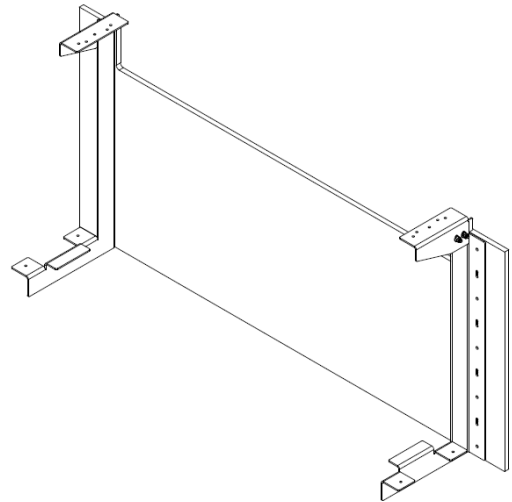
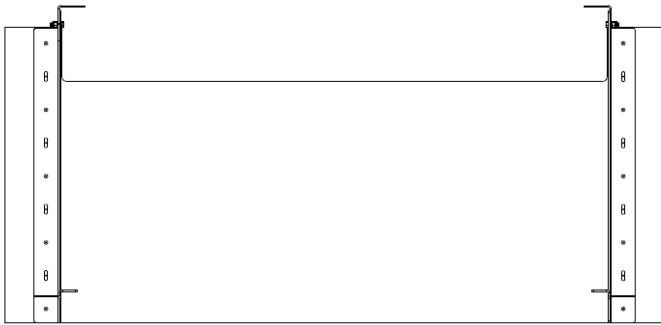


Diagram 2

1. Position Hearth

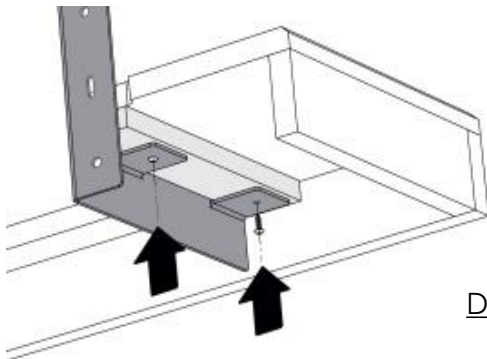
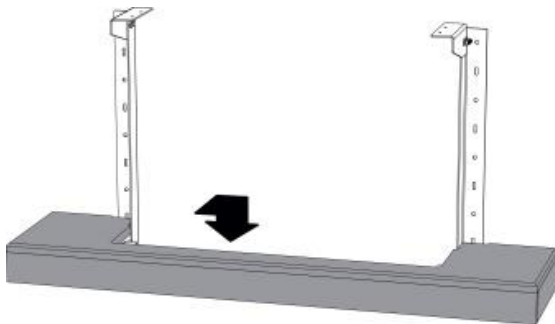


Diagram 3

Carefully lift the hearth down onto the L brackets. Please ensure the rear of the hearth is flush with the wall. To secure the hearth in place, screw through the holes detailed in **Diagram 3** into the timber mounting panels on the underside of the hearth.

(2 x fixing screws (B) per L- bracket).

It may be necessary to use a packing piece between the bracket and hearth mounting panels if the hearth does not sit flush on the bracket

Installation – Wall Marble *continued*

2. Fit Main Body

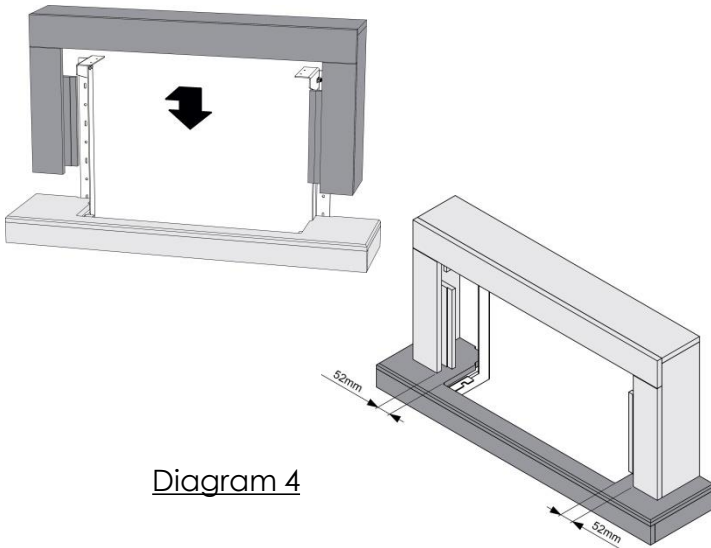


Diagram 4

Once the hearth is secured carefully lift the main body onto the hearth over the L-bracket and centralise on the hearth cut-out. (52mm each side)
See Diagram 4.

5. Angle Brackets

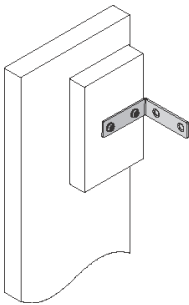


Diagram 5

The top of the leg sections have angle brackets fitted for securing direct to the fixing panel (**see diagram 5**). These fixing brackets will prevent the surround from detaching itself from the wall.

6. Top Bracket

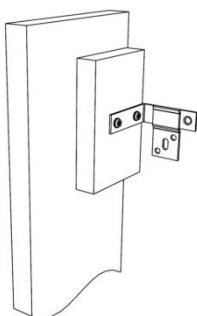


Diagram 6

Diagram-6 illustrates how the angle brackets (fitted to the internal leg of the surround) are secured behind the hook brackets at the final fitting stage. This is achieved by carefully positioning the surround on the hearth in its intended position and marking the position of the hook bracket screw holes through the central opening in the surround.

Installation – Wall Marble *continued*

7. Fix Hook Brackets

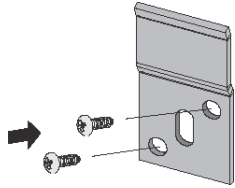


Diagram 7

Remove the surround and securely fix the hook brackets to the fixing panel using 4 x fixing screw (B) - 2 per bracket. **Diagram 7**

8. Fit Main Body

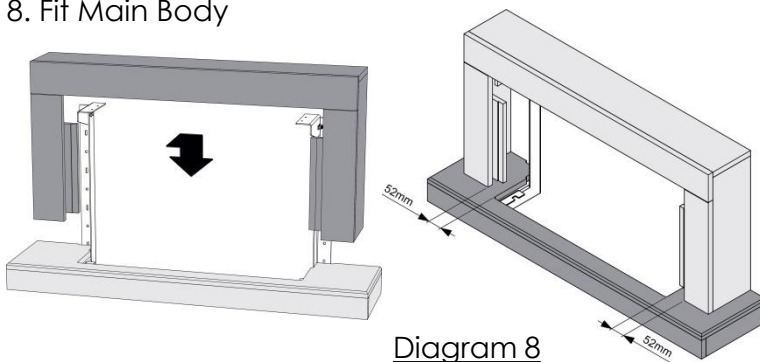


Diagram 8

Once the brackets are secured carefully lift the main body onto the hearth over the L-bracket and hooks, centralise on the hearth cut-out. (52mm each side) **See Diagram 8.**

9.

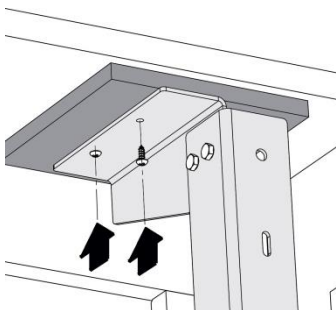


Diagram 9

To secure in place, screw the adjustable wall brackets top supports through the holes detailed in **Diagram 9** into the timber mounting panels. **Fixing screw (B) 2 per bracket.**

10. Adjustable Top Support

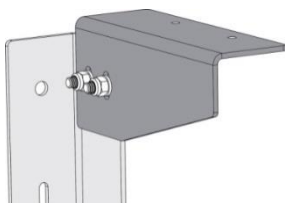


Diagram 10

Finally tighten the nuts and bolts to lock the adjustable bracket in place. - **See Diagram 10.**

Installation – Wall Marble *continued*

11. Install the Fire

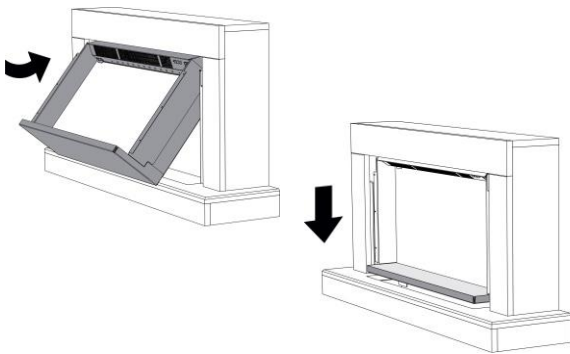


Diagram 11

Before installing the fire, please unpack it carefully and place the box containing the logs to one side. Place a protective covering over the hearth to prevent the fire scratching the polished surface. The Pryzm fire can now be installed in the surround by lifting the fire at a slight angle to allow the fire to be positioned in the upper section of the surround opening. Then swing the rear of the fire in to the surround, lowering the fire down onto the L Wall Brackets.

Great care must be taken not to crush or damage the cable or damage the hearth on installation .
Note: The fire power cable may need positioning in place prior to the installation of the surround upper body, if a socket is to be used.

12. Secure fire

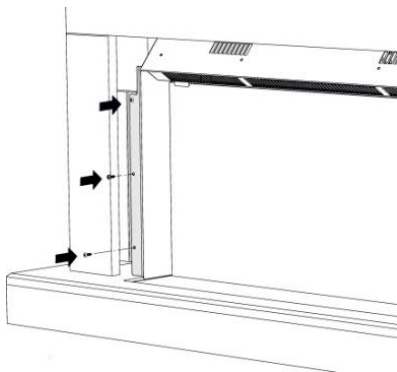


Diagram 12

To secure the fire in place, make sure it is centralised in the opening and then screw the fire to the timber mounting panels through the fire mounting points (**6 x 15mm fixing screws are supplied with the fire**). Once the fire is secured in position the fire trim can then be placed in position. The trim has a magnetic fixing.

13. Installation Complete

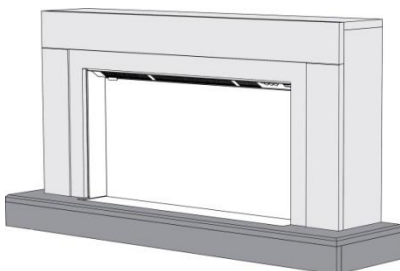


Diagram 13

Please refer to “Dressing the Logs” section of the fire instructions which will guide you through the recommended log layout for your fire.

Maintenance

WARNING: Before any maintenance or whilst cleaning the exterior of the fireplace, the unit should be disconnected from the power supply until it has cooled down.

Cleaning the Fire

Cleaning or polishing products are not recommended. Fingerprints or other marks on the front glass panel can be removed by a piece of soft, damp, lint-free cloth with a good quality household glass cleaner. The front glass panel should always be completely dried with a clean, lint-free cloth or paper towel.

Wipe up spills and condensation immediately with a clean damp cloth. When cleaning the furniture, we also recommend using a clean damp cloth. Avoid using cleaners or polishes that contain abrasives, solvents, acid and ammonia.

CAUTION: Abrasive cleaners should not be used on the glass panel. Liquids should not be sprayed directly onto any surface of the unit.

Troubleshooting

Should you have any queries regarding this product please contact Customer Services on 01914300901 or email us at customerservices@bemodern.co.uk

Recycling

All cardboard packing is recyclable.

IMPORTANT NOTE:

Wall fixings (i.e. screws/wall plugs etc.) are not supplied as these are crucially dependent upon the type of wall and surface the surround is going to be fixed too. The installer is therefore responsible for ensuring that suitable fittings are used according to the particular model to be installed as well as individual fitting situations and environments. All mechanical fixings, for holding the suite in position, must be secured to a solid wall or structure.