

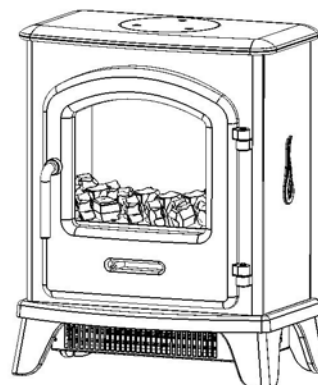
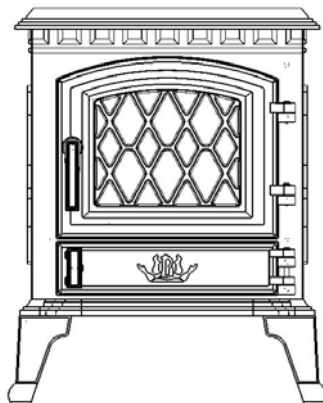
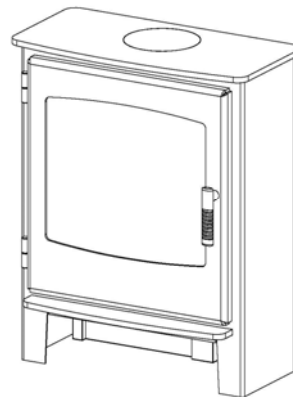
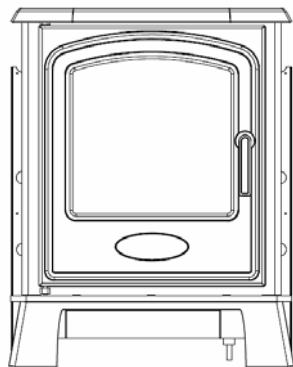
# bemodern

FIREPLACES & STOVES | BATHROOM FURNITURE

# BROSELEY

## evolution

### Electric Installation & Operating Instructions



**PLEASE NOTE THAT THIS APPLIANCE USES A MOTOR TO OPERATE THE FLAME EFFECT AND THAT IT MAY BE POSSIBLE TO HEAR IT WHERE THE BACKGROUND NOISE IS VERY LOW. THIS IS NORMAL AND SHOULD NOT BE A CAUSE OF CONCERN.**

***These instructions should be read carefully and retained for future reference***

## Contents

Please see the relevant pages in the Assembly section for specific information on how to assemble your electric stove:

Models Covered	Page 2
Important Safety Advice	Page 3-4
<b>Assembly - York Midi &amp; Serrano Free-Standing</b>	<b>Page 5</b>
<b>Assembly – Desire, Ignite &amp; Hereford Free Standing</b>	<b>Page 6</b>
<b>Assembly – Inset Desire, Ignite &amp; Hereford</b>	<b>Page 7-9</b>
Operating Your Stove	Page 10
Maintenance	Page 11
Trouble-Shooting	Page 12
Guarantee	Page 13

### Models Covered

This instruction manual covers the following models:

Inset Ignite 6 / Desire 6 Remote	Inset Ignite 6 / Desire 6 Manual
Inset Hereford 5 Remote	Inset Hereford 5 Manual
Ignite 5 / Desire 5 Freestanding Remote	Ignite 5 / Desire 5 Freestanding Manual
Ignite 6 / Desire 6 Freestanding Remote	Ignite 6 / Desire6 Freestanding Manual
Ignite 7 / Desire7 Freestanding Remote	Ignite 7 / Desire7 Freestanding Manual
Hereford 5 Freestanding Remote	Hereford 5 Freestanding Manual
Hereford 7 Freestanding Remote	Hereford 7 Freestanding Manual
York Midi Freestanding Remote	York Midi Freestanding Manual
Serrano Freestanding Remote	Serrano Freestanding Manual

## Important Safety Advice

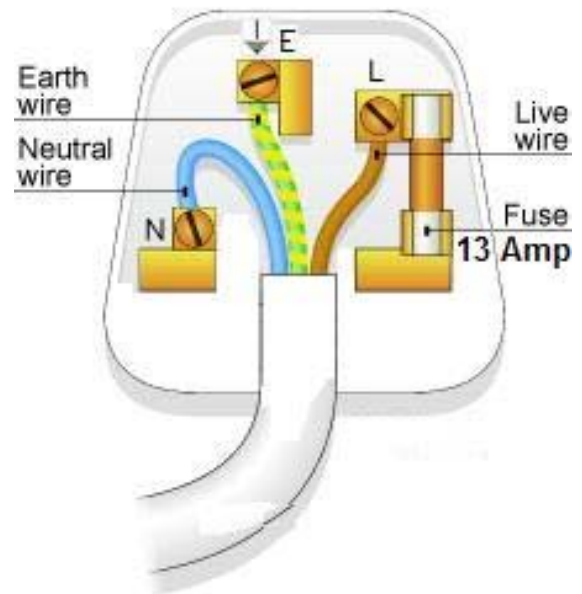
### Warning: this appliance must be earthed.

The wires in the main lead to this appliance are coloured in accordance with the following code:

GREEN and YELLOW	Earth
BLUE	Neutral
BROWN	Live

As the colours of the wires in the mains lead of this appliance may not correspond with the coloured markings identifying the terminals in your plug, proceed as follows:

- The wire, which is coloured green and yellow, must be connected to the terminal in the plug with the letter E or by the earth symbol  $\perp$  or coloured green or green and yellow.
- The wire, which is coloured blue, must be connected to the terminal, which is marked with the letter N or coloured black.
- The wire, which is coloured brown, must be connected to the terminal, which is marked with the letter L or coloured red.



## Important Safety Advice

### WARNING:

In order to avoid overheating do not cover the heater.

In order to avoid a hazard due to inadvertent resetting of the thermal cut-out, this appliance must not be supplied through an external switching device, such as a timer, or connected to a circuit that is regularly switched on and off by utility.

If the supply cord is damaged, it must be replaced by the manufacturer, its service agent or a similarly qualified person in order to avoid a hazard.

Use the heater in a well-ventilated area. Do not insert or allow objects to enter any ventilation or exhaust opening. To prevent a possible fire, do not block air intakes or exhaust openings in any manner. Do not use on soft surfaces, like a bed, where openings may become blocked.

Do not place this heater near flammable materials, surfaces or substances, as there may be a risk of fire. Keep the above flammable materials, surfaces or substances at least 1m from the front of the product and keep them away from the sides and rear.

- **This heater must not be located immediately below a fixed socket outlet or connection box.**
- **Do not** cover this heater, or obstruct the air inlet or outlet, otherwise there is a risk of overheating.
- During normal operation this appliance will emit noise from the internal fan unit.
- This appliance can be used by children aged from 8 years and above and persons with reduced physical, sensory or mental capabilities or lack of experience and knowledge if they have been given supervision or instruction concerning use of the appliance in a safe way and understand the hazards involved.
- Children shall not play with the appliance.
- Cleaning and user maintenance shall not be made by children without supervision.
- Children of less than 3 years should be kept away unless continuously supervised. Children aged from 3 years and less than 8 years shall only switch on/off the appliance provided that it has been placed or installed in its intended normal operating position and they have been given supervision or instruction concerning use of the appliance in a safe way and understand the hazards involved. Children aged from 3 years and less than 8 years shall not plug in, regulate and clean the appliance or perform user maintenance.
- Some parts of this product can become very hot and cause burns. Particular attention has to be given where children and vulnerable people are present.
- Do not use the heater in the immediate surrounds of a bath, a shower, or a swimming pool.
- The heater must be cooled down completely before any maintenance work is carried out.
- After unpacking, please make sure that the appliance is intact, with no signs of damage caused by transport. If in doubt, do not use the appliance and contact the Service Centre.
- If the supply cord is damaged, it must be replaced by the manufacturer, its service agent or similarly qualified persons in order to avoid a hazard.
- If this fire is supplied through an extension cable, please ensure that it is the only appliance plugged into the extension and that the instructions for the extension cable / reel are followed.
- Do not stand the fire on the carpet – stand on a firm surface, which is free of dust and lint.
- In the event of a fault please disconnect the fire from the mains supply



## Assembly – York Midi and Serrano Free-Standing

York Midi Freestanding Remote	York Midi Freestanding Manual
Serrano Freestanding Remote	Serrano Freestanding Manual

The stove will be supplied in two separate boxes. The first contains the cast iron stove body and the second the Flame effect unit. Check that the specified components are included before you start setting up your Stove.

**Box 1**

- 1 x Cast iron stove body  
(with transit bar fitted)
- 1 x Set of Four Legs

**Box 2**

- 1 x Flame Effect Unit
- 1 x Decorative coal effect
- 1 x Instruction booklet.

### Assembly Sequence:

1. Carefully remove all packaging and protective materials from the stove body. Remove and discard the ‘transit bar’ from stove body. This item stops the sides of the stove body from moving in transit. It has been positioned into the vertical channels where the Flame Effect Unit is to be slotted into place.
2. Remove the cast iron lid from the stove body and lay the stove body on its back.
3. Attach the four legs using the bolts/nuts provided. Please note these bolts/nuts will normally be pre-fitted into the base of the stove. Stand the main stove body upright on its feet.
4. Carefully remove all packaging and protective materials from the flame effect unit.
5. Remove the thermostat control knob from the front of the flame effect unit (this will prevent it from being scratched whilst the flame effect unit is inserted into the cast stove body).
6. Insert the flame effect unit into the stove body. The unit is lowered down carefully from the top of the body with the sides located into the grooves on each side of the stove body. If the flame effect will not slide down easily, you may need to slacken the bolts connecting the sides of the stove body to the front and base. **Take care not to trap the cable whilst lowering the flame effect unit into the stove body.**
7. Open the main door (and ash door on York Midi). On the Serrano, the door simply pulls open using the handle. For the York Midi you will need to turn the handle anti-clockwise until it comes free from the locking thread.
8. Re-attach the thermostat control knob.
9. Remove the Perspex from the stove. The Perspex is held in place by four screws which will need to be removed.
10. Remove both sides of the protective covering from the Perspex.

**Flame Effect Unit – Position within stove body**

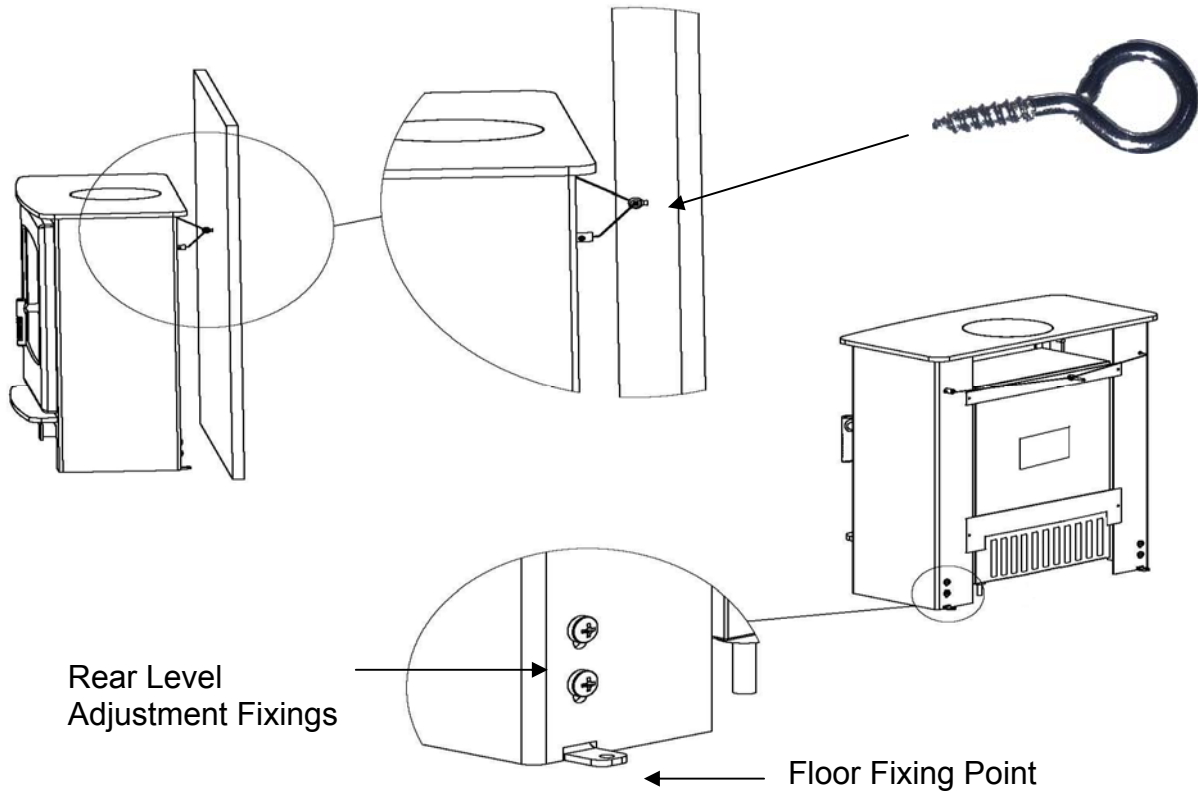


11. Finally place the cast iron lid back on the stove.

## Assembly - Desire, Ignite & Hereford Free-Standing

Ignite 5/Desire5 Freestanding Remote	Ignite 5/Desire5 Freestanding Manual
Ignite 6/Desire6 Freestanding Remote	Ignite 6/Desire6 Freestanding Manual
Ignite 7/Desire7 Freestanding Remote	Ignite 7/Desire7 Freestanding Manual
Hereford 5 Freestanding Remote	Hereford 5 Freestanding Manual
Hereford 7 Freestanding Remote	Hereford 7 Freestanding Manual

The Desire, Ignite and Hereford free-standing stoves will be fully assembled, however these appliances **MUST** be secured to the rear wall and floor using the fixing points shown below.



The floor fixing points also provide adjustment to level up the product when placed on an uneven surface. Front Adjustment is provided by two concealed bolts (under the base).

The wall cable will need to be passed through the hook fixing on the wall. It can then be adjusted to length and locked using the fixing on the left hand side (rear of stove body).



**Please Note** fixings are not provided to secure the stove to the floor. These fixings will vary depending on the material you are fixing into.

## Assembly – Inset Desire, Ignite & Hereford

Inset Ignite 6/Desire 6 Remote	Inset Ignite 6/Desire6 Manual
Inset Hereford 5 Remote	Inset Hereford 5 Manual

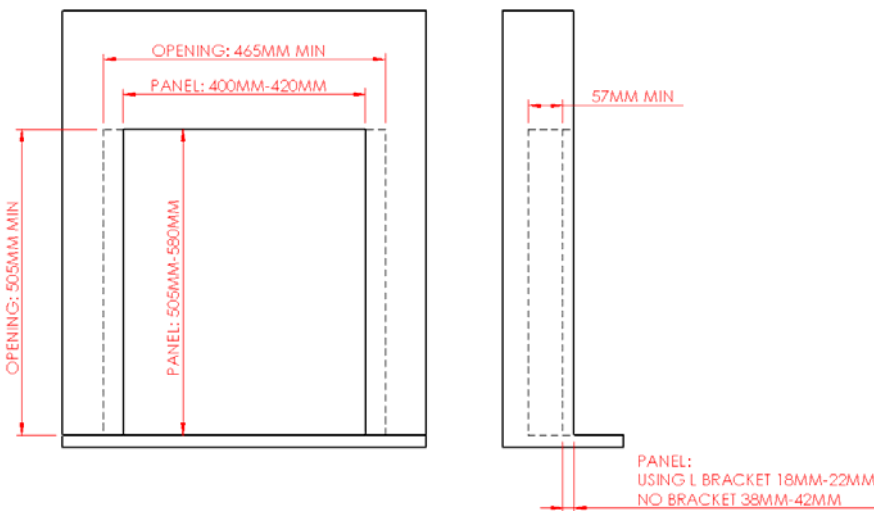
Please unpack carefully ensuring that any loose parts and all packing items are removed. Read any warning labels carefully (see Maintenance Section). Place waste packaging back into box and dispose of RESPONSIBLY.

**The appliance must be positioned so that plug (fused spur) is accessible. Only when you are certain that you have completed the following installation instructions should you plug in and switch on at the wall socket.**

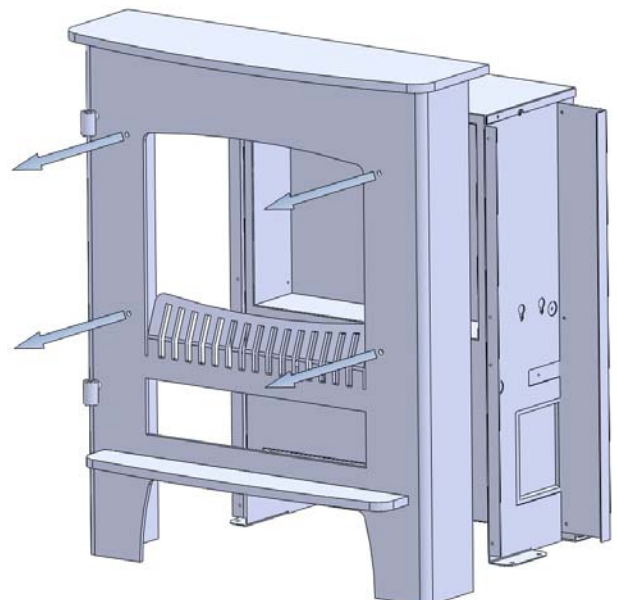
**Contents: 1 x Stove Body Trim, 1 off Fire engine (attached to stove body), Instruction leaflet, 4 off No.6 x 1 3/4” screws, 1 x Door (Packed in box), 2 x Angle Brackets (for back panel), 6 x Angle Bracket Fixings, 2 x Wall Fixings**

Check that the supply voltage details on your flame effect fire are in accordance with your electrical supply. Your fire is fitted with a plug incorporating a 13 Amp fuse. In the event of replacing the fuse in the plug supplied, a 13 Amp fuse approved by ASTA to BS 1362 must be used. Before switching on, please read the following operation instructions.

First ensure that the opening dimensions match the drawing below.



Unpack the fire by removing all the boxes from the pallet and then removing the stove main body by loosening and removing the 4 screws. With the body removed next unscrew the fire engine from the pallet and remove the L shaped bracket from the bottom rear of the stove “wings”.

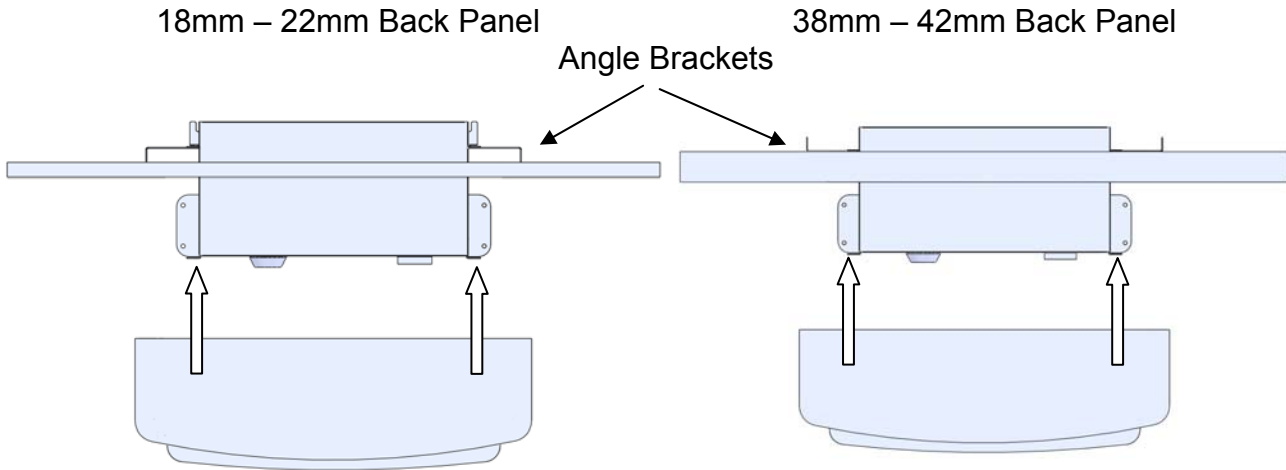


## Assembly – Desire, Ignite and Hereford Inset

Inset Desire / Ignite 6 Remote	Inset Desire / Ignite 6 Manual
Inset Hereford 5 Remote	Inset Hereford 5 Manual

### Fitting to a Fire Surround Back Panel

Measure the thickness of your back panel that the fire is to be fixed to, for panels 18mm – 22mm attach the two L shaped angle brackets with the return facing forward. For panels 38mm - 42mm the L shaped angle bracket returns will need to face backward.



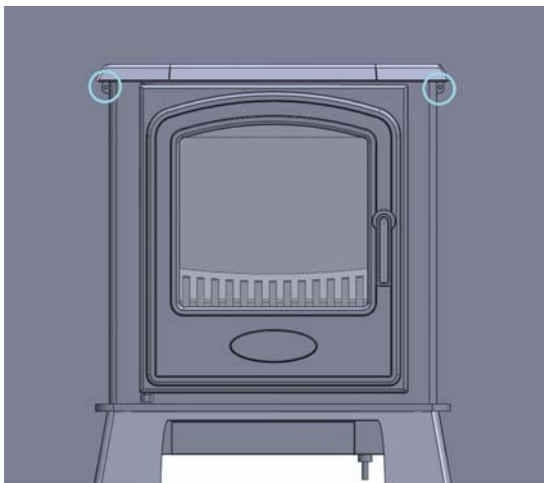
When fitting to a back panel the unit is secured in place by sandwiching the back panel between the engine unit and the main body (as shown above).

The engine unit needs to be positioned through the back panel. Ensure an electrical supply connection is made at this stage. Slide the engine through the back panel opening on a diagonal then pull towards you so that it is straight and the engine wings are snug behind the back panel. Offer the Stove body trim up to the engine unit in the opening, using the 4 off 1 3/4 No.6 screws provided. Loosely fix the trim to the holes provided on the fixing wings. Once all four screws are loosely attached, then fully screw the fire into position. Take care not to overtighten and strip the threads of the hole.

Once the stove is in position only then turn on the mains supply and proceed to the door fitting section.

### Fitting to an existing 16” x 22” opening

For installations directly into an existing fireplace opening, you will need to secure the main body to the opening using the two provided wall fixings.



Re-attach the main body to the engine unit using the four fixings and slide the assembled unit into the fireplace opening. Mark the two wall fixing points and remove the fire from the opening to enable drilling/wall fixing. Re-position the fire and make any necessary electrical connections.

**Ensure the site is clear of debris before finally securing the fire to the wall.**

Please note wall plugs are not provided as this will depend on the material the fire is to be secured to.



## Assembly – Desire, Ignite and Hereford Inset

Inset Desire / Ignite 6 Remote	Inset Desire / Ignite 6 Manual
Inset Hereford 5 Remote	Inset Hereford 5 Manual

### Optional Hearth Fixing

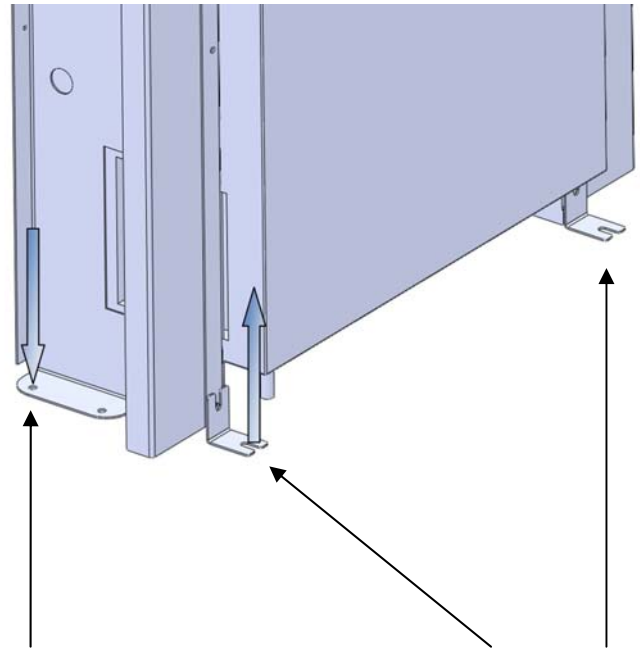
In both cases (with our without back panel) the engine unit **MUST** be secure before proceeding to attach the door. It is also possible to fix the engine unit to the hearth should either of the above methods not provide an adequately secure fixing in your individual installation.

With the main body attached to the engine unit, slide the assembly into the opening (in its final position).

Remove the main body by un-doing the four fixings and carefully remove from the engine, mark the two hearth fixing points and remove the engine unit from the opening.

Drill and plug the two fixing points (fixings not supplied). Ensure the opening is clear of debris and re-position the engine unit (making any necessary electrical connections in the process). Secure the engine unit to the hearth.

Re-attach the main body using the four fixings.



**Hearth Fixing Point**

**Remove entirely**

### Door Fitting

#### Desire & Ignite Inset:

The Door assembly supplied should be ready to fit, once the fire is installed then hang the Door onto the hinges fixed on the main body by locating the hinges on the door over the top of the hinges on the main body, move the door open and closed a few times so that the hinge mates correctly.

#### Hereford Inset:

The door should be supplied assembled with the upper hinge pin in position and the lower hinge pin ready to fit to the assembly. Locate the upper hinge pin in position in the upper hinge on the main body. Manoeuvre the door so that the lower pin (supplied) can drop through into the lower hinge pin. Lock the lower pin in position by fixing the slider component in position using the M5 Allen bolt. The slider should rest on top of the pin so as to prevent the pin rising up out of the lower hinge.

## Operating Your Stove

### Manual Operation

To access the controls on the stove you will need to open the door (lower ash door on York Midi only), you should be able to see the following controls:

### Thermostat Control

The thermostat can be used to control the heat output to maintain a constant room temperature to suit user requirements. This will ensure that excessive heat is not produced unnecessarily.

### Setting the temperature

The knob is marked with numbers to indicate the maximum and minimum temperature positions. Start with setting 9 and when the room has reached a desired level turn the knob slowly to left until the thermostat 'clicks off'. The thermostat will then maintain the room at the selected level. To increase the temperature, turn knob back to right to a higher setting.

**Note: - It is possible that if the room temperature is higher than the thermostat setting it will not come into operation and the heater will remain off until the temperature of the room cools.**

### Flame Effect & Heater Switches

The first switch marked with a light bulb controls the lamp and flame effect. The next two switches operate the fan convector heater. To use the heater the middle of the three switches marked O / I (O is off, I is on) should be operated first for 1 kW of heat. The right hand switch also marked O / I should be used together with the middle switch to give 2kW of heat. Note 'lamp' switch must be in the 'on' position for heater to function.

### Remote Handset Operation



**Note:** To use both remote and manual functions the Main (I / O) switch must be in the 'on' position.

The button marked Power turns all operations on / off. The second button (marked Flame) turns the flame effect fan and lamps on / off. The third button (marked Low) turns the heater fan and low heat setting on / off. The last button (marked High) turns the heater fan and high heat setting on / off.

**POWER (ON / OFF)** - Press once turns appliance **on** (Neon illuminated ●○○○) Press again turns appliance **off**.

**FLAME** - Press once turns **Flame Effect on** (neons illuminated ●●○○) Press again turns **Flame Effect off**.

**LOW** - Press once turns **Fan+Low heat on** (neons illuminated ●●●○) Press again turns **Fan / Heat off**

**HIGH** - Press once turns Fan+High heat on (neons illuminated ●●●●) Press again turns **Fan / Heat off** (neons illuminated ●●○○)

The indicator neons on the rear screen show as soon as the remote buttons / switches are operated. The neons turn off automatically 10 seconds after the settings have been changed.

## Maintenance

**Warning: Before undertaking any maintenance or cleaning disconnect your appliance from main supply. Only competent persons should service / repair these appliances.**

### Changing Bulbs

Open the door (for the York Midi you will first need to remove the handle by un-winding it in an anti-clockwise direction) remove the decorative coal effect by gently lifting it up and then rotating it at an angle to allow it to pass through the door opening. If present remove the cable tie which is securing the bulb in place. Unscrew and replace the damaged bulb(s) holding the body of the lamp holder if necessary to prevent rotation. Replace the fuel effect by gently sliding the fuel effect back into the recess. The Bulbs required are **11W E14 SES Mini Spiral** available through all good DIY and electrical stockists.



### Environment

The area around the fire should be kept free of any materials such as lint or house dust (i.e. animal hair/ carpet fibres) that could be drawn into the internal workings of the appliance and hence affect the performance. We recommend that you clean around the fan grille housing at regular intervals. This can be done using a standard vacuum cleaner and suitable attachment.

### Glass

A clean, dry synthetic cloth is normally all that is required to clean the glass. We do not recommend using any chemical cleaning fluids, sprays or foam as this may damage the paint finish of the product.

### Perspex

To prevent scratching of the flame effect unit screen, we recommend only using a clean, dry synthetic cloth to clean the screen.

### Body

A soft brush is normally sufficient to remove everyday dust and general debris from the surfaces of the stove. **DO NOT** use any kind of chemical or abrasive cleaning products on your stove as this will damage the paint finish.

### Electric Supply Cable

Should the electric supply cable get damaged in any way, you will need to have it replaced by a qualified electrician.

## Trouble-shooting

It is highly unlikely you should have a fault with your heater, but should there appear to be a problem, please refer to the following checklist of our most frequent questions from customers. If these do not answer your query please contact your retailer, or call us.

### **No light or flame effect**

Please check – does the heater still work? If **YES** – it will almost certainly need a new bulb or set of bulbs (See maintenance section)

If **NO** – has the heater cut-out operated? To protect against overheating please refer to the safety thermal cut-out information in the “Operating Your Stove” section. If the unit is still not working, first change the 13amp fuse in the plug with one which you know works. Secondly, check the wall socket by plugging a table lamp that you know works on another socket. If this does not work get an electrician to check the socket.

## Guarantee

**Please note your point of contact with regards to any warranty claims is the retailer from whom you purchased the appliance.**

**Broseley Fires Ltd.** (the 'Company') provides a **Twelve month** guarantee in respect to electric stoves (the 'Product') ranges.

**1. The Twelve month Guarantee applies to:**

- a. All products in the ranges manufactured by the 'Company' (but subject to the exceptions below): where
- b. The product has been purchased and installed within the UK and in respect of
- c. The initial installation: and in favour of
- d. The original purchaser

**2. Proof of Purchase must be retained by the Purchaser**

**3. The Twelve month Guarantee does not apply to:**

- a. Damage or inferior workmanship practices whilst the 'Product' is being installed**
- b. Damage caused by mis-use of the 'Product' or where normal standards of care and use have not been complied with.**
- c. Damage through a malfunction or an inadequately installed electric fire.**
- d. Damage or defects due to mis-use, accident or unauthorised alterations.**

**4. During the year** after the 'Product' has been supplied, the Guarantee covers the make good (whether by repair or replacement at the Company's option) of defects arising from defective manufacture of materials of 'Product' covered in Para 1 all at no cost to the purchaser on the proviso:

- a. The Product has been installed as per Broseley Fires recommendations
- b. The Purchaser uninstalls the Product and makes it available for collection by Broseley Fires.

**This Guarantee does not affect your statutory rights**

**On requiring service the purchaser should contact the retailer who supplied your product who will assist and advise you as necessary.**



**This fire complies with the European Safety Standards (LVD: 2014/35/EU EN 60335-1 and EN 60335-2-30) and the European Electro Magnetic Compatibility (EMC) EN 55014-2; EN 61000-3-2; EN 61000-3-3 which covers the essential requirements of the EEC Directives and EMC: 2014/30/EU**

**Waste electrical products should not be disposed of with household waste. Please recycle where facilities exist. Check with your local authority or retailer for recycling advice.**

<p><b>Broseley Fires Ltd.</b>          First Floor Unit B, Knights Court, Archers Way,          Battlefield Enterprise Park, Shrewsbury SY1 3GA</p> <p>Tel: (01743) 461444 Fax: (01743) 461446          Email: info@broseleyfires.com</p>	<p><b>Be Modern Ltd.</b>          19/34 Bedesway, Bede Industrial Est,          Jarrow, Tyne and Wear NE32 3BE</p> <p>Tel: (0191) 430 0901 Fax: (0191) 430 9522</p>
---	---

