



**Installation, Precautions, Servicing,  
& user instructions for the manually controlled fires**

**Cisco-Regan-Tyrus-Hudson-Mariner**

& 22

& 22

& 22

**Arlo-400 series**

*Ralia/Ennio/Solace*

## **IMPORTANT**

Carefully remove the fire from the packing checking neither the heater nor the power cable has been damaged during transport. Do not operate the fire if damaged. Please bear in mind the weight of the fire before removal from the packaging and installation. Consider if help is required. Always read this manual first before attempting to install or use and keep in a safe place. Any alteration to the power cable should only be done by a qualified electrician.

Your fire is guaranteed for two years from the date of purchase. In the unlikely event of a breakdown you have access to our customer services team, simply call **01543 251122** during office hours, 9am – 5pm or e-mail on [info@flameritefires.com](mailto:info@flameritefires.com) The accessories are found in a box that is packed at the side of the fire.

*This product is only suitable for well insulated spaces or occasional use*

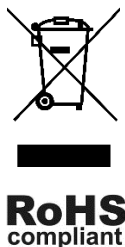


## Important Safety Information and Warnings

- **WARNING:** In order to avoid overheating, do not cover the heater.
- For indoor use only.
- Do not use the fire in the vicinity of a bath, shower or swimming pool.
- Never use the fire to dry laundry.
- The heater must not be located immediately below a socket outlet.
- The use of an extension lead is not recommended.
- This appliance can be used by children aged from 8 years and above and persons with reduced physical, sensory or mental capabilities or lack of experience and knowledge if they have been given supervision or instruction concerning use of the appliance in a safe way and understand the hazards involved. Children shall not play with the appliance. Cleaning and user maintenance shall not be made by children without supervision.
- Children of less than 3 years should be kept away unless continuously supervised
- Children aged from 3 years and less than 8 years shall only switch on/off the appliance provided that it has been placed or installed in its intended normal operating position and they have been given supervision or instruction concerning use of the appliance in a safe way and understand the hazards involved.
- Children aged from 3 years and less than 8 years shall not plug in, regulate and clean the appliance or perform user maintenance.
- Some parts of this product can become very hot and cause burns. Particular attention must be given where children and vulnerable people are present
- Caution should be applied to ensure that children do not play with the fuel effects.
- As with any electrical appliance whilst the instructions aim to cover as many eventualities as possible, caution and common sense should be applied when operating your appliance, particularly in the vicinity of small children.
- **CAUTION:** The heater is fitted with an automatic cut out to prevent any damage due to overheating. The element will continually and automatically cut out if the airflow is obstructed. **Never** cover the air outlets. To reset, switch the fire off, disconnect from the mains supply, remove the cause of the overheating. Allow to cool for a suitable period then switch the fire back on.
- **CAUTION:** In order to avoid a hazard due to inadvertent resetting of the thermal cut out, the appliance must not be supplied through an external switching device, such as a timer, or connected to a circuit regularly switched on and off by a utility.

**Where a chimney is not blocked off completely, any draw will cause the heater to cut out during use. Care should also be taken when fitting into a cavity wall in case of damp or draft with external air vents fully sealed**

## RECYCLING



Please recycle responsibly. Take your item to your local recycling centre. You can easily locate your nearest centre on the [www.recyclenow.com](http://www.recyclenow.com) website or check with your retailer for details on either a collection service or a store take-back scheme (some may apply charges). Councils may offer a household recycling collection service for small electrical items; contact your local authority for more details.

## Electrical Connections

**Electrical connections.** Your appliance comes fitted with a plug that incorporates a 13A fuse. The replacement fuses must be 13A and ASTA approved. If the fuse cover is lost the plug must not be used until a replacement cover, of the same colour, is obtained from an electrical retailer. The appliance is fitted with a moulded plug if it is necessary cut off the plug, for any reason, it must be discarded immediately with the fuse removed. Under no circumstances should any attempt be made to reuse the plug, do not insert into any 13A socket as this could cause a hazard. If the mains cable is damaged it must be replaced by the manufacturer or an authorised technical service centre.

### WARNING THIS APPLIANCE MUST BE EARTHED

#### IMPORTANT

The wires in the mains lead are coloured in accordance with the following code.

Green and yellow:	EARTH
Blue:	NEUTRAL
Red:	LIVE

As the colours of the wires in the mains lead of this appliance may not correspond with the colour markings in your plug proceed as follows: -

- The wire which is coloured green and yellow must be connected to the terminal in the plug which is marked with the letter E, or coloured green or coloured green and yellow, or marked with the earth symbol
- The wire which is coloured blue must be connected to the terminal in the plug which is marked with the letter N, or coloured black.
- The wire which is coloured brown must be connected to the terminal in the plug which is marked with the letter L, or coloured red.

**Insert the plug tightly into its IEC connector underneath the fire if not already done so. If the removal of the plug is absolutely necessary for installation, cut off in an area within 100mm only of the plug itself. Any further will affect your warranty.**

# Installation Instructions

The minimum height & width to inset your fire.

Model	H	W	D
Regan Tyrus	570mm	420mm	40mm
Cisco	570mm	420mm	50mm
Hudson Mariner	570mm	420mm	75mm
Arlo	570mm	420mm	80mm
400 Series	570mm	420mm	135mm
22 Regan Tyrus Cisco	570mm	420mm	40mm

1. Your fire has been designed for use as part of a fireplace mantel and surround suite. Be careful to protect the hearth and surrounding areas of the fireplace when fitting, inset is from the front. On the back of the fire is a cable, secure using the screw and rawl plug inside at the top of the opening. Make sure it will not interfere once the fire has been positioned against the back panel.

## IMPORTANT

- **SEALING:** Your fire is classed as a portable space heater, do not use silicone or adhesives to seal into place.
- **AIRFLOW:** Where a chimney is not blocked off completely, any draw will cause the heater to cut out during use. Care should also be taken when fitting into a cavity wall for the same reason.

**Any disregard for either of the above will very likely cause issue and abnormal running of the fire.  
Warranty will be affected**

## ***400 series & Arlo skip to 3.***

2. Once the following fires have been installed in the correct position and test run, you may fit the frame & fret before fitting the fuel effect.
- **Hudson, Tyrus & Regan:** simply place the fret in front of the fire.
  - **Cisco:** place the frame onto the fire and over the fret, clamping the rear most sides of the fret tightly in-between the frame and the case.
  - **Mariner:** add the flexible black light reducer behind the fret and place the frame and fret combination onto the fire and clip into place.

Unpack the fuel effect (*coals/pebbles/logs & embers*) from the accessory box and arrange in a random formation on top of the fuel bed.

***This concludes the installation for: Hudson, Tyrus, Regan, Cisco & Mariner***

3. Once the 400 series fire or Arlo have been installed in the correct position, you may fit the fuel effect, the glass and the frame & fret.

Visit [www.flameritefires.com/product-support/instructions-fuel-effects.html](http://www.flameritefires.com/product-support/instructions-fuel-effects.html) if you require clearer downloadable images.

### 400 Series



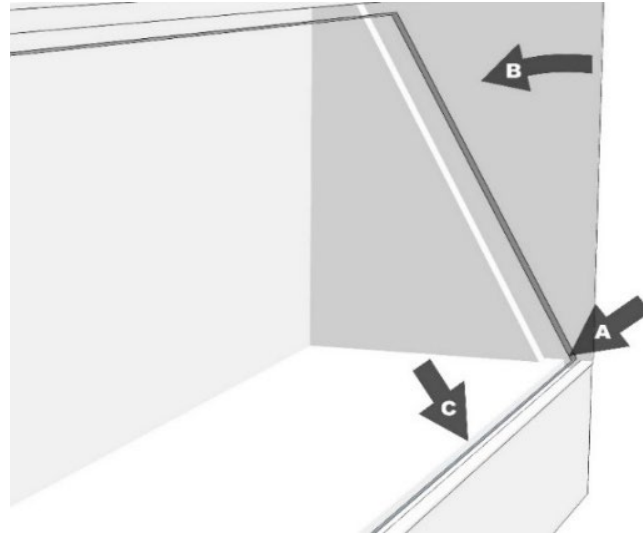
### Arlo



#### 4. Fitting the front glass.

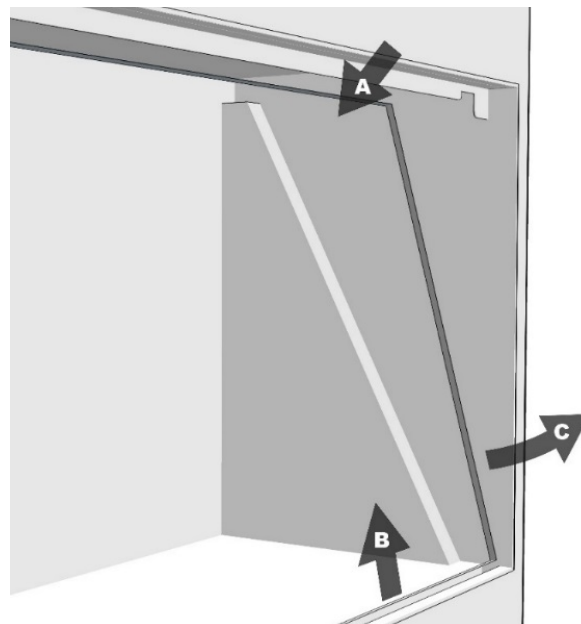
**WARNING:** The glass used is toughened, if mishandled it is designed to shatter. Extra care should be taken during this procedure, **particularly the corners.**

#### 400 Series Insert



- **A** Hold the glass panel in each bottom corner
- **B** Tilt the top of the glass into the fire
- Slot the top edge of the glass into the channel under the heater
- **C** Place the bottom on the glass panel into the channel, in front of the fuel bed

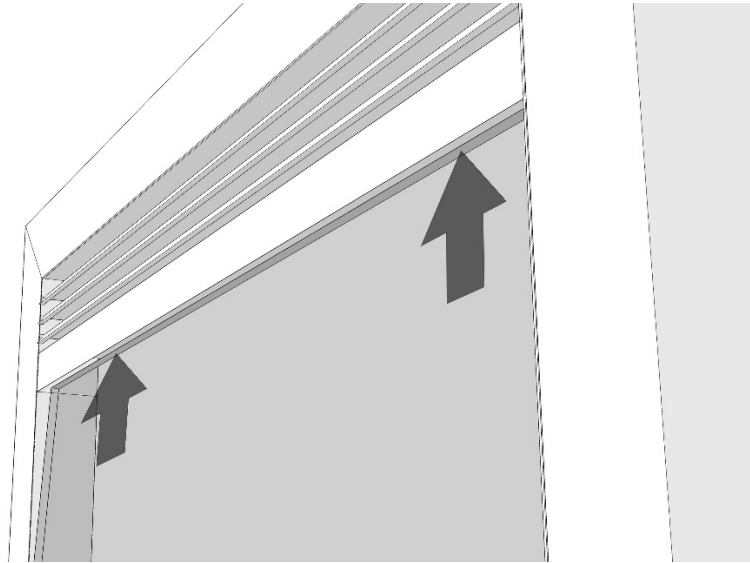
#### Remove



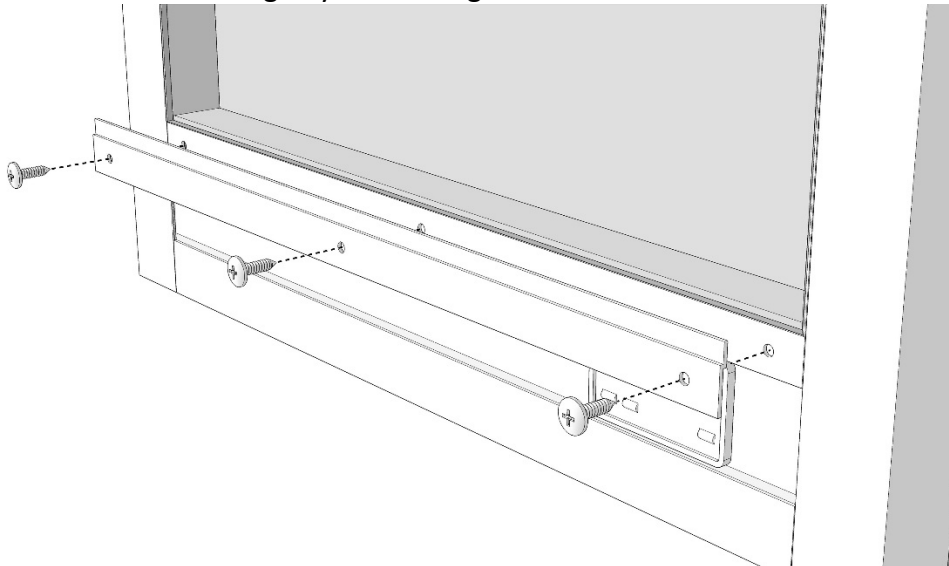
- **A** With fingers flat to the glass
- **B** Push up from the bottom into the channel under the heater
- **C** Pull outward of the bottom channel toward you. **Do not rest on a hard surface**

## Arlo Insert & Remove

The top of the front glass slots into a gap under the heater grill



It is retained on a ledge by a bar using three screws in front of the fuel bed.



To remove, reverse the process. **Make sure the glass does not suddenly drop and do not rest on a hard surface.**

## Frame & Fret

Simply place the magnetic frame with the fret behind it onto the black surround. Or in the case of a cast fret, this will free stand in front of the frame.

***This concludes the installation for: Arlo, Ennio, Raylia & Solace***



# Manual Fire Operation

## Fire controls

- The on/off switch is located at the top of the opening on the right side; this is marked with **I/O** and will need to be switched to **I** to illuminate the flame effect.
- The flame effect must be illuminated for the heater to work. For heating the controls are located next to the on/off switch. For **LOW** heat push in the switch marked with a single bar **I**. For **HIGH** heat push in the switch marked with the double bars **II**. Both switches must be depressed for **HIGH** heat.

## Important thermostat information

The thermostat should be turned to maximum. Once the required room temperature is achieved turn the thermostat towards minimum until you hear a click. The thermostat will then regulate the room temperature automatically. There can be up to 2 or 3 degrees drop or rise in temperature for the thermostat to activate or deactivate. The temperature is taken from around the fire unlike a wall thermostat that is usually positioned around the middle of a room, so please allow for inaccuracies.

Situations such as room size or position of fireplace i.e. near a working radiator might cause the thermostat not to work efficiently.

Heat output	HIGH	LOW
Regan Tyrus Cisco	2.0kW	1.0kW
Hudson Mariner	2.0kW	1.0kW
22 Regan Tyrus Cisco	2.0kW	1.0kW
400 Series	1.5kW	.75kW
Arlo	1.5kW	.75kW



## Maintenance

**WARNING: Before any maintenance/cleaning is undertaken, always disconnect the fire from the mains power supply.**

### Replacing Lamps

240V 6W 3000k E14 LED lamps  
(Cisco Extreme fret lamp - 240V 1.4W E14 lamp)

Allow a suitable time for the lamps to cool then remove the glass & fuel effect (see Installation). Remove the two screws from either side of the fuel bed and lift out of place. Remove and replace the lamps, fuel bed, fuel effect and glass. Please note that replacement Lamps are only covered from purchase by a 2-year warranty.

Replacements are available from Flamerite Fires Ltd

### Cleaning

The fire can be cleaned with a soft cloth and non-abrasive glass cleaner.

## Trouble Shooting

- **No power to the fire:** Check the wall socket, plug, fuse and lamps.
- **Heat turns off quickly after turn on:** Set thermostat to a higher temperature
- **No illumination:** Make sure fire is turned on. Check heater is working, if so check lamps.
- **Heater blowing cold air:** The safety cut out may have operated. Check for obstruction around the heater. If continually a problem and fitted into a cavity wall or chimney breast check with installer the inset opening has been 100% fully sealed from drawn air and draft.
- **Noise when illuminated:** Due to moving parts, the electric fire will make a noise.
- **Noise from the heater when in use:** The sound of rushing air is normal.

# Information Requirements

## Information requirement for electric local space heaters

Model identifier(s)		Cisco/ex	Tyrus	Regan	Mariner	Hudson	400	Arlo	
<i>Item@ 240v 50Hz</i>	<i>Symbol</i>	<i>Value</i>	<i>Value</i>	<i>Value</i>	<i>Value</i>	<i>Value</i>	<i>Value</i>	<i>Value</i>	<i>Unit</i>
<b>Heat output</b>									
Nominal heat output	Pnom	2	2	2	2	2	1.5	1.5	kW
Minimum heat output (indicative) Manual	Pmin	1	1	1	1	1	0.75	0.75	kW
Maximum continuous heat output	Pmax,c	2	2	2	2	2	1.5	1.5	kW
<b>Auxiliary electricity consumption</b>									
At nominal heat	elmax	0.027/29	0.027	0.027	0.027	0.027	0.033	0.033	kW
At minimum heat	elmin	0.027/29	0.027	0.027	0.027	0.027	0.033	0.033	kW
In standby Manual	eISB	0	0	0	0	0	0	0	kW
<b>Type of heat output/room temperature control</b>									
With mechanical thermostat room temperature control									Yes
<b>Contact details:</b>	Flamerite Fires Ltd. Greenhough Road, Lichfield. Staffs. WS13 7AU								