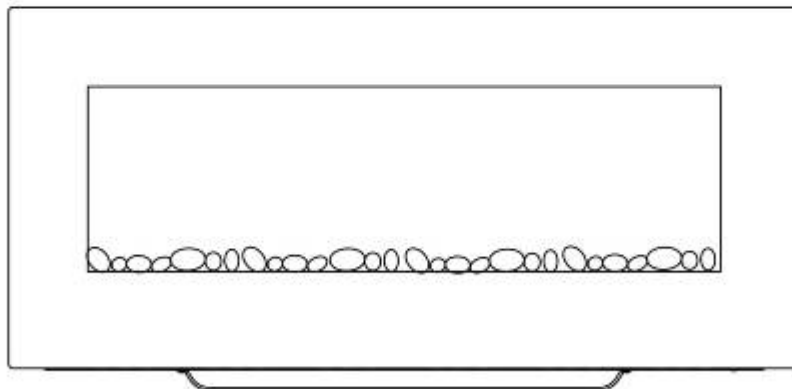
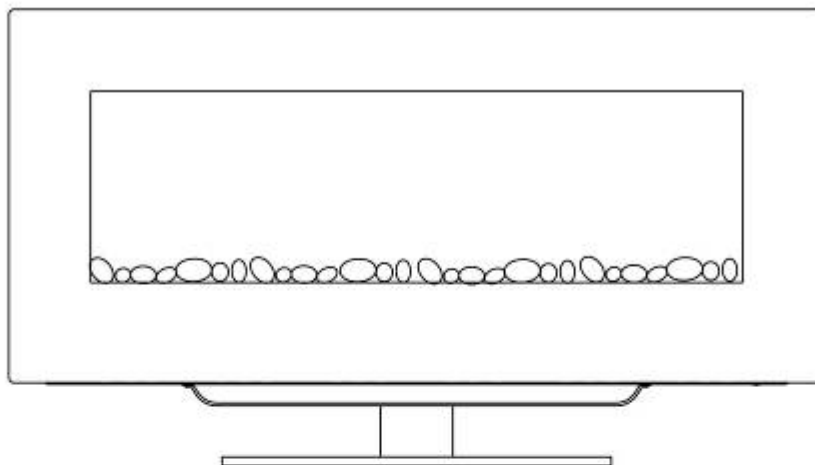


Installation Instructions & Operating Manual

Model Number: 1668



Wall-Hanging Mode



Free-Standing Mode

**Please read the instructions carefully before installation or
use of this electric fire and retained for future reference.**

TABLE OF CONTENTS

SECTION 1: WARNINGS & ELECTRIC SPECIFICATIONS

1.1 Important Safety Instructions	3
1.2 Specifications	3

SECTION 2: INSTALLATION

2.1 Tools required	4
2.2 Unpacking the Fireplace	4
2.3 Parts and Hardware	4, 5
2.4 Assembly: FREE-STANDING MODE	5, 6
2.5 Assembly: WALL-HANGING MODE	6, 7, 8

SECTION 3: OPERATING INSTRUCTIONS

3.1 Operating by Manual Button	8
3.2 Operating by Remote Handset	9

SECTION 4: MAINTENANCE

4.1 Remote Handset Battery Replacement	10
4.2 Maintenance of Motors	10
4.3 Resetting the Thermal Cutout Switch	10
4.4 Cleaning the Fireplace	10
4.5 Environment.....	10



**CAUTION: BEFORE OPERATING THIS EQUIPMENT
PLEASE READ THESE INSTRUCTIONS CAREFULLY.**

SECTION 1 WARNINGS & ELECTRIC SPECIFICATIONS

1.1 Important Safety Instructions



This symbol alerts you to potential hazards that can kill or hurt you and/or others

DO NOT:

- install or operate damaged heater
- modify heater
- operate the heater without fully assembling all components




WARNING! Improper installation, adjustment, alteration, service or maintenance can cause injury or property damage. Refer to the owner's information manual provided with this heater. For assistance or additional information consult a qualified installer, service agency or your dealer.



WARNING! When using electrical heaters, basic precautions should always be followed to reduce the risk of fire, electric shock and injury to persons, including the following:


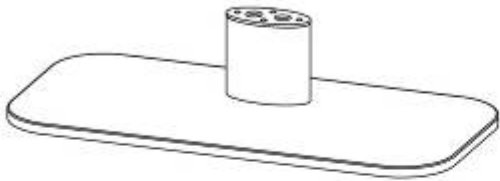
- Do not use this heater in the immediate surroundings of a bath, a shower or a swimming pool.
- This heater must be earthed. If in any doubt consult a suitable competent person.
- In order to avoid a hazard due to inadvertent resetting of the thermal cutout, this appliance must not be supplied through an external switching device ,such as a timer, or connected to circuit that is regularly switched on and off by utility.
- This heater must not be located immediately below a socket-outlet.
- This appliance can be used by children aged from 8 years and above and persons with reduced physical, sensory or mental capabilities or lack of experience and knowledge if they have been given supervision or instruction concerning use of the appliance in a safe way and understand the hazards involved.
- In order to avoid a hazard due to inadvertent resetting of the thermal cutout, this appliance must not be supplied through an external switching device ,such as a timer, or connected to circuit that is regularly switched on and off by utility.
- Children shall not play with the appliance.
- Cleaning and user maintenance shall not be made by children without supervision.
- Children of less than 3 years should be kept away unless continuously supervised.
- Children aged from 3 years and less than 8 years shall only switch on/off the appliance provided that it has been placed or installed in its intended normal operating position and they have been given supervision or instruction concerning use of the appliance in a safe way and understand the hazards involved. Children aged from 3 years and less than 8 years shall not plug in, regulate and clean the appliance or perform user maintenance.
- Some parts of this product can become very hot and cause burns. Particular attention has to be given where children and vulnerable people are present.
- Do not cover: In order to avoid overheating, do not cover the heater.

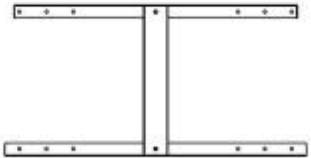





- The meaning of figure  in marking is "WARNING: DO NOT COVER".
- If the power cord is damaged, it must be repaired by the manufacturer, its authorized service centre or professional person.

1.2 Specifications


Voltage	230-240 V AC, 50 Hz
Total Watts.....	1800-2000 Watts
Dimensions.....	.850mm L x 112mm W x 370mm H

Parts & Hardware: FREE-STANDING MODE	
 <p>M5x16 Machine Screws (4)</p>	 <p>Pedestal (1)</p>

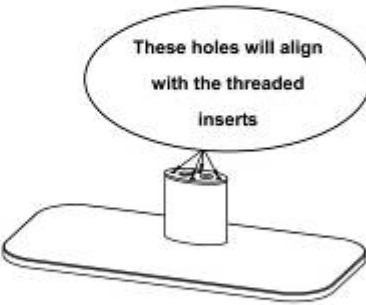
Parts & Hardware: WALL-HANGING MODE	
 <p>NOTE: The wall mount bracket is attached to the back of the firebox by two thumb screws.</p> <p>Wall Mount Bracket (1)</p>	 <p>Thumb Screws (2)</p>
 <p>ST5x40 Wood Screws (4)</p>	 <p>Ø8x40 Drywall Anchors (4)</p>

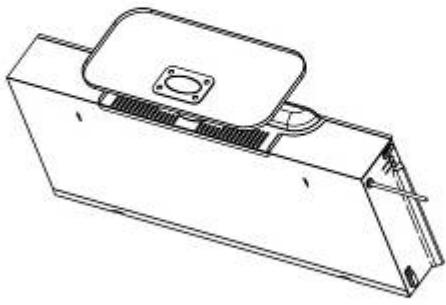
2.4 Assembly: FREE-STANDING MODE

⚠ FREE STANDING MODE: ATTACH PEDESTAL BEFORE USING. DO NOT ATTACH WALL MOUNT BRACKET WHEN IN THIS MODE.

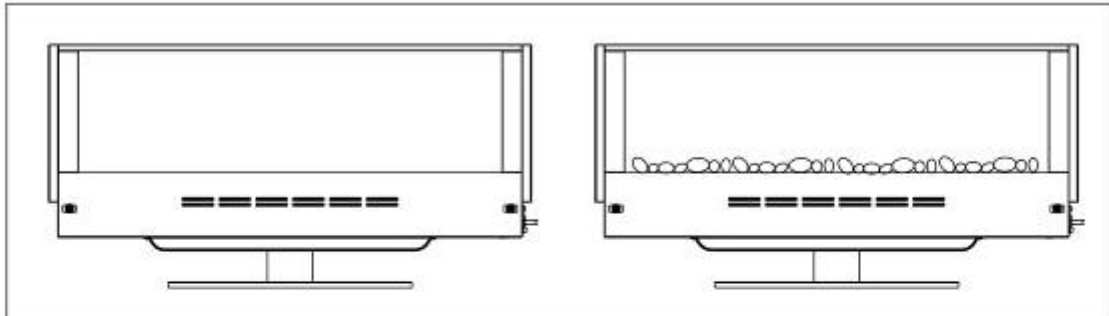


These holes will align with the threaded inserts

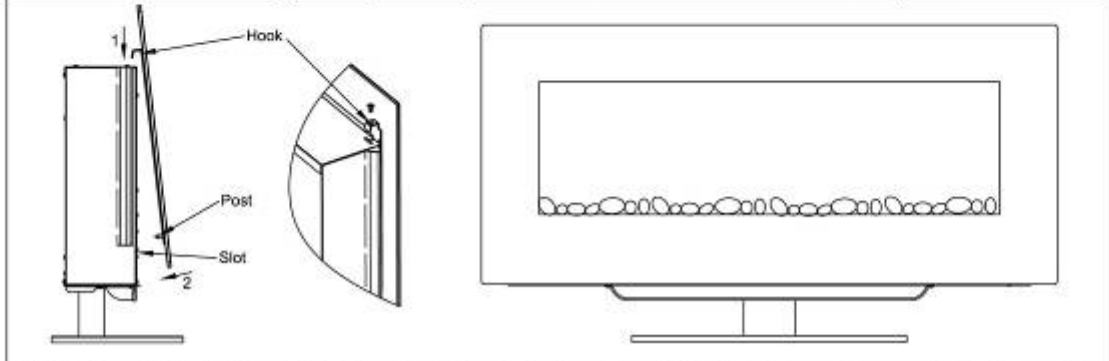




STEP 1. Lay the firebox on its back. Align the holes in the pedestal with the threaded inserts in the firebox. Thread four M5x16 machine screw through each hole in the pedestal and into the threaded inserts. Check the pedestal alignment.



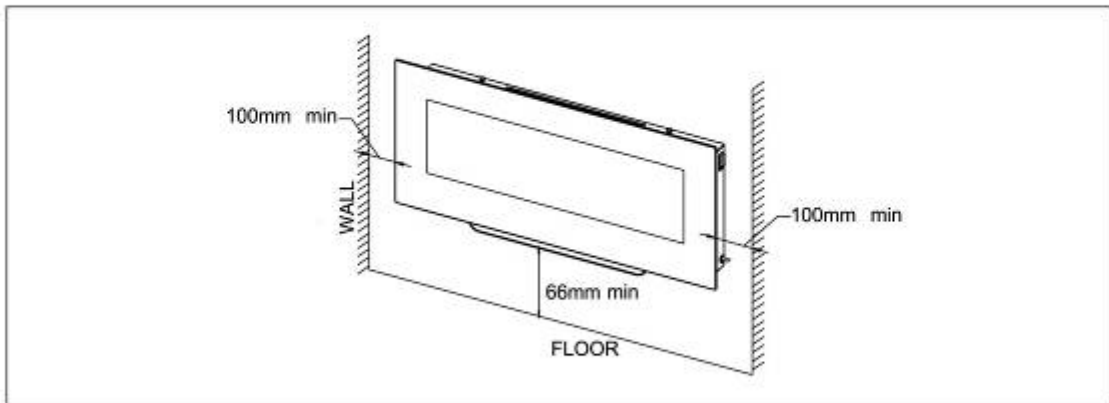
STEP 2. Stand the fireplace up and set it on a sturdy level surface at or near where you plan to use it. Carefully arrange the decorative stones along the inset window ledge at the front of the firebox. Use care when relocating the fireplace to prevent the decorative stones from falling out.



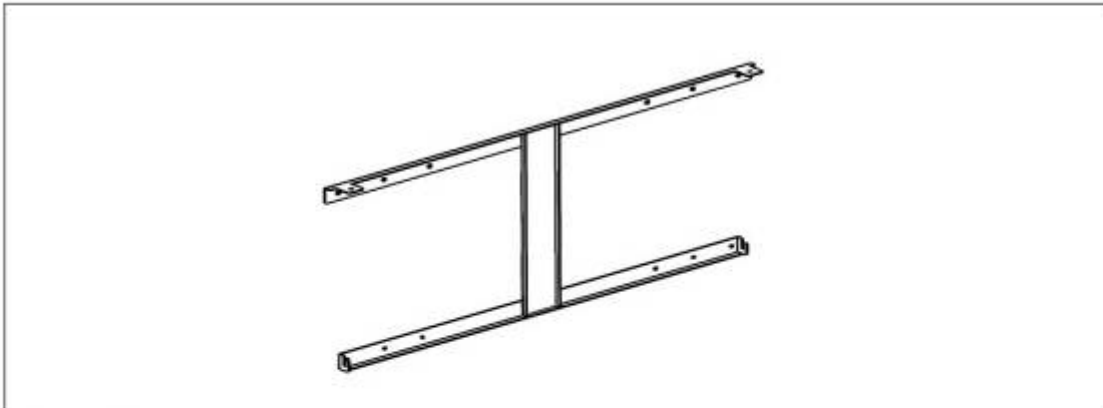
STEP 3. 1. Carefully set both hooks of the front glass panel into the slots at the top front edge of the firebox. 2. Press the two posts of the glass panel into the locking slots near the lower corners of the front firebox panel. **NOTE: Make sure the posts click into the slots.** This will keep the decorative glass in place. 3. Thread the ST4x8 screws (2) through the glass panel hooks and into the threaded holes in the firebox. Partially tighten by hand. Check the alignment of the glass panel and securely tighten the screws with a Phillips screwdriver.

2.5 Assembly: WALL-HANGING MODE

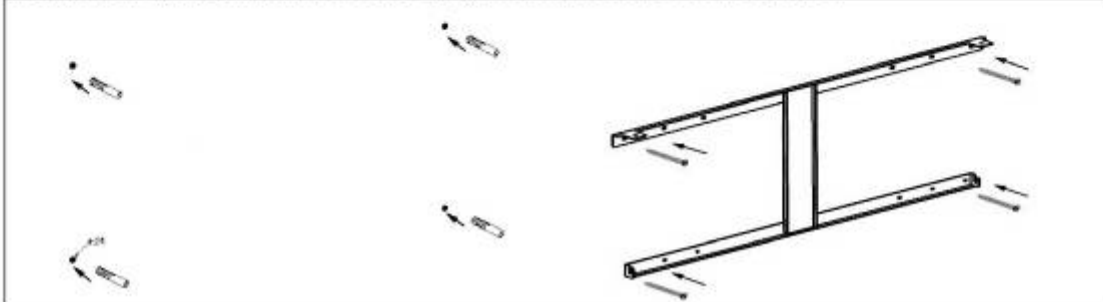
! HANGING MODE: HANG ON WALL WITH BRACKET BEFORE USING. DO NOT ATTACH PEDESTAL WHEN IN THIS MODE.



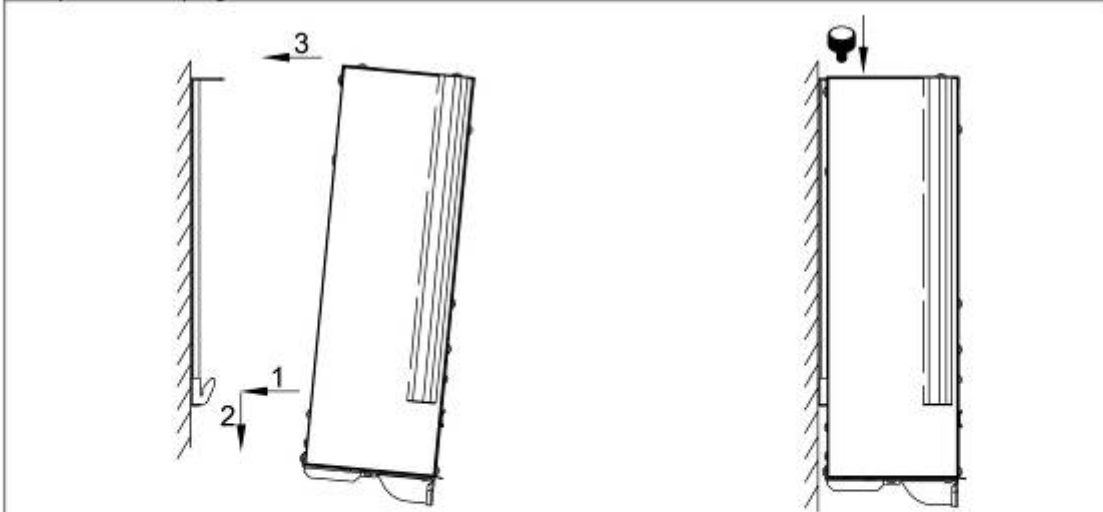
STEP 1. Find a safe location. Minimum clearance on each side must be at least 100mm; minimum clearance from the floor must be at least 66mm; minimum clearance from the front must be at least 500mm from any combustible surface or fabric (curtains etc) Choose a location near an outlet so an extension cord is not required. **DO NOT** position the unit directly below a power outlet.



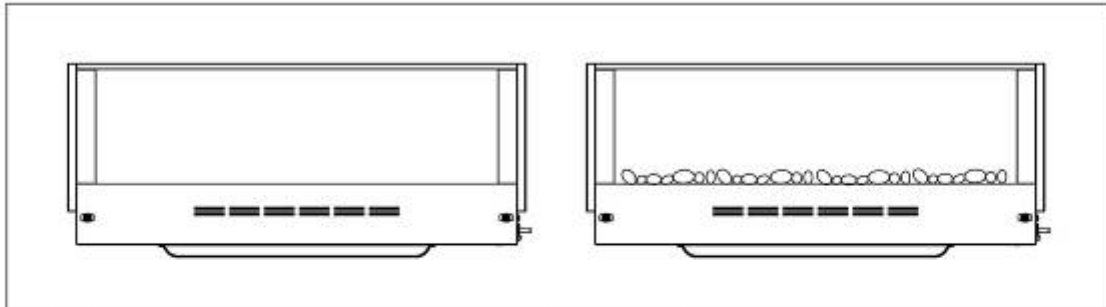
STEP 2. Choose a solid and plain wall and then put the bracket on the position where you want to install the fireplace. Mark the 4 holes by a pen from the holes on the bracket.



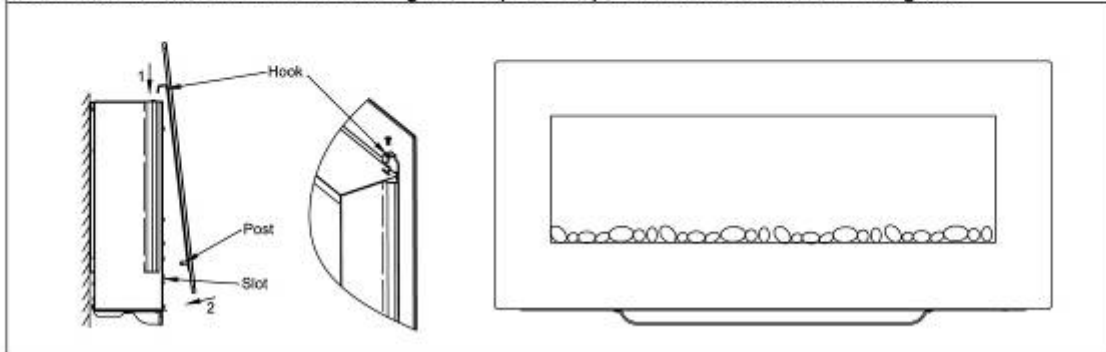
STEP 3. Take away the bracket and then drill 4pcs 8mm holes on the wall. Put the plastic wall plug into the hole. If the wall is solid wood, it is no needed to drill the holes on the wood and no needed of the plastic wall plug.



STEP 4. With the firebox at an angle, fit the slots in the back of firebox over the hooks on the wall mount bracket, and carefully press the top of the firebox against the wall mount bracket. The slots at the top edge of the firebox should slide over the wall mount bracket tabs. Hold the firebox in place and thread the thumb screws through the holes in the firebox and into the wall mount bracket tabs. Tighten both thumb screws and make sure the firebox is secure to the wall.



STEP 5. Carefully arrange the decorative stones (WS/CS) along the inset window ledge at the front of the firebox. Use care when relocating the fireplace to prevent the stones from falling out.



STEP 6. 1. Carefully set both hooks of the front glass panel into the slots at the top front edge of the firebox. 2. Press the two posts of the glass panel into the locking slots near the lower corners of the front firebox panel. **NOTE: Make sure the posts click into the slots.** This will keep the decorative glass in place. 3. Thread the ST4x8 screws (2) through the glass panel hooks and into the threaded holes in the firebox. Partially tighten by hand. Check the alignment of the glass panel and securely tighten the screws with a Phillips screwdriver.

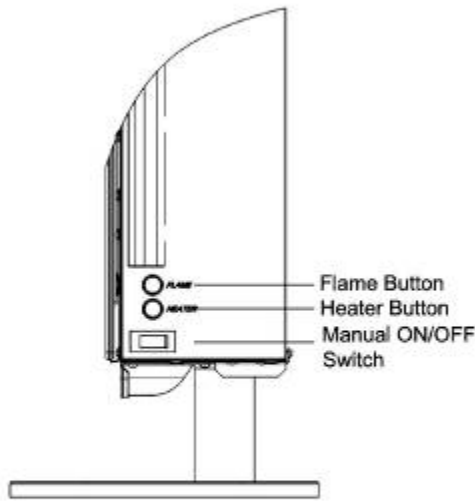
SECTION 3 OPERATING INSTRUCTIONS

This appliance can be operated by both remote control and manual button. Once the unit has been properly connected to an earthed electrical outlet, turn on the main switch located on the right hand side of the appliance. A beep should be heard when the power is first applied.

NOTE! To use both remote and manual functions the manual on/off switch must be in 'ON' position. In order to protect the product not becoming too hot, there is 8s delay when turning on the heater; also there is 8s delay when turning off the heater fan.

3.1 Operating by Manual Button

NOTE! You can use remote control to experience all functions. If you lose it, you can still use manual button on the fire box to control some basic functions.



MANUAL ON/OFF SWITCH

This switch turns heater on/off, and permit / prohibits use of remote and panel push buttons.

FLAME BUTTON

By pressing the flame effects button the unit will cycle through four flame effect. If you need to control backlight effects please use the remote handset.

HEATER BUTTON

Press once turns Fan on, and 8s later Low heat on. (Indicator lights illuminated ●○)

Press again turns on High heat. (Indicator lights illuminated ●●)

Press third time turns heat off. 8s later fan off (Indicator lights illuminated ○○)

There are 3 levels you can cycle through including the OFF setting.

3.2 Operating by Remote Handset

- Make sure the batteries are installed properly in the remote control.
- The effective range of the remote control is up to 4 meters or 13 feet.

ICON	TITLE	FUNCTION
	POWER	Press once turns appliance on. Press again turns appliance off.
	FLAME	The fire has four flame effects, by pressing the flame effect button the unit will cycle through each effect.
	HEATER	Press once turns Fan on, and 8s later Low heat on. (Indicator lights illuminated ●○) Press again turns on High heat. (Indicator lights illuminated ●●) Press third time turns heat off. 8s later fan off (Indicator lights illuminated ○○) There are 3 levels you can cycle through including the OFF setting.
	TEMP	Digital display shows the TEMP setting 23°C (default), with 14 settings circle from "OFF", "16°C" to "28°C". The TEMP will increase by 1°C up to 28°C when pressed each time. By pressing the TEMP for 3S, the digital display can show between °C and °F.
	TIMER	Cycles from OFF, 0.5H, 1H, 2H, 3H, 4H, 5H, 6H, 7H, 8H, to 9H.
	BACK LIGHT	By pressing the backlight button the unit will cycle through 14 effects including OFF setting.

SECTION 4

MAINTENANCE



Warning: Before any maintenance and/or cleaning the exterior of the fireplace, disconnect the unit from the power supply and leave until cooled off.

4.1 Remote Handset Battery Replacement

Replace with two AAA batteries. Make sure the batteries are installed correctly in the remote control.

4.2 Maintenance of Motors

The motors used on the fan and flame effect are pre-lubricated for extended bearing life and require no further lubrication. However, periodic cleaning/vacuuming of the fan/heater unit is recommended.

4.3 Resetting the Thermal Cutout Switch

The appliance is fitted with an Electronic Safety Control (E.S.). This is a safety device, which switches off the fire if, for any reason, the appliance overheats, e.g. when covered. If the heater stops operating whilst the flame effect continues normally, this indicates that the E.S. Control is in operation. The E.S. Control can only be re-set after the appliance has cooled down, in order to re-set the E.S. Control proceed as follows:

- Switch off the appliance (Manual On/Off switch) and leave for approximately 10-15 minutes.
- Remove any obstruction to the fan heater outlet or fan blades etc. Make sure that the power supply is disconnected at the plug socket outlet whilst you do this.
- Switch on appliance and the E.S. Control will re-set.
- Ensure that the appliance is functioning correctly. If the E.S. Control operates again, the appliance should be checked by a competent Electrician.

4.4 Cleaning the Fireplace

You can clean the exterior of the fireplace with a soft, damp, lint-free cloth. Do not use cleaning or polishing products. To remove fingerprints or other marks on the front glass panel, use a soft, damp, lint-free cloth with a good quality household glass cleaner. The front glass panel should always be completely dried with a clean, lint-free cloth or paper towel.



Caution: Do not use abrasive cleaners on the glass panel. Do not spray liquids directly onto any surface of the unit.



Warning: An authorized service representative should perform any other servicing.

4.5 Environment



Meaning of crossed –out wheeled dustbin:

Do not dispose of electrical appliances as unsorted municipal waste, use separate collection facilities. Contact your local government for information regarding the collection systems available. If electrical appliances are disposed of in landfills or dumps, hazardous substances can leak into the groundwater and get into the food chain, damaging your health and well-being. When replacing old appliances with new ones, the retailer is legally obligated to take back your old appliance for disposals at least free of charge.

ELECTRIC FIRE GUARANTEE

BeModern Group (the 'Company') provides a **twelve month** guarantee in respect of electric fire (the 'Product') ranges.

1. The twelve month Guarantee applies to:

- a. All products in the ranges manufactured by the 'Company' (but subject to the exceptions below); where
- b. The product has been purchased and installed within the UK and in respect of
- c. The initial installation: and in favour of
- d. The original purchaser

2. Proof of Purchase must be retained by the Purchaser

3. The twelve month Guarantee does not apply to:

- a. **Damage or inferior workmanship practices whilst the 'Product' is being installed**
- b. **Damage caused by mis-use of the 'Product' or where normal standards of care and use have not been complied with.**
- c. **Damage through a malfunction or an inadequately installed electric fire.**
- d. **Damage or defects due to mis-use, accident or unauthorised alterations.**

- 4. During the 1 year** after the "Product" has been supplied, the Guarantee covers the making good (whether by repair or replacement at the Company's option) of defects arising from defective manufacture of materials of "Product" covered in Para 1 all at no cost to the purchaser on the proviso:
- a. The Product has been installed as Be Modern recommendations
 - b. The Purchaser uninstalls the Product and makes it available for collection by Be Modern.

This Guarantee does not affect your statutory rights

On requiring service the purchaser should contact the retailer who supplied your product who will assist and advise you as necessary.



This fire complies with the European Safety Standards (LVD) EN60335-2-30 and the European Electro Magnetic Compatibility (EMC) En55015, EN60555-2 and EN60555-3 which covers the essential requirements of the EEC Directives and 89/336

be modern
Group of Companies

Customer Services
Tel (0191) 430 0901
Fax (0191) 430 9522

