


FIREPLACES &amp; STOVES | BATHROOM FURNITURE

## Model 1174 Electric Heater

User instructions for LED effect 2kw Inset Heater

These instructions should be read carefully and retained for future reference

### Important Notes

- This product is only suitable for well insulated spaces or occasional use
- Do not use this appliance as a primary heat source
- This heater must not be located immediately below a fixed socket outlet.
- Do not use the heater in the immediate surrounds of a bath, a shower, or a swimming pool.
- **Do not cover this heater, or obstruct the air inlet or outlet, otherwise there is a risk of overheating.** 
- Do not use outdoors
- The heater must be cooled down completely before any maintenance
- After unpacking, please make sure that the appliance is intact, with no signs of damage caused by transport. If in doubt, do not use the appliance and contact the Service Centre.
- During normal operation this appliance will emit noise from the internal fan unit.
- If the supply cord is damaged, it must be replaced by the manufacturer, its service agent or similarly qualified persons in order to avoid a hazard.
- Children should be supervised to ensure that they do not play with the appliance or handset
- Children of less than 3 years should be kept away unless continuously supervised. Children aged from 3 years and less than 8 years shall only switch on / off the appliance provided that it has been placed in its intended normal operating position and they have been given supervision or instruction concerning use of the appliance in a safe way and understand the hazards involved. Children aged from 3 years and less than 8 years shall not plug in, regulate, clean the appliance or perform user maintenance.
- This appliance can be used by children aged from 8 years and above and persons with reduced physical, sensory or mental capabilities or lack of experience and knowledge if they have been given supervision or instruction concerning use of the appliance in a safe way and understand the hazards involved. Cleaning and user maintenance shall not be made by children without supervision
- Some parts of this product can become very hot and could cause burns. Particular attention has to be given where children and vulnerable people are in the vicinity.
- Ensure that furniture, curtains and other combustible materials are positioned no closer than 1m from the front of the fire.
- Do not run cord under carpeting, do not cover cord with throw rugs, runners or the like. Arrange cord away from traffic areas and where it will not be tripped over.
- Do not insert or allow foreign objects to enter any ventilation or exhaust openings as this may cause electric shock, fire or damage the appliance
- Do not block air intakes or exhaust openings in any manner
- Do not use on soft surfaces such as a bed, where openings may become blocked.
- If this fire is supplied through an extension cable, please ensure that it is the only appliance plugged into the extension and that the instructions for the extension cable / reel are followed.
- CAUTION: In order to avoid a hazard due to inadvertent resetting of the thermal cut out, this appliance must not be supplied through an external switching device, such as a timer, or connected to a circuit that is regularly switched on and off by the utility.
- This appliance must be positioned so that the plug / fused spur is accessible
- In the event of a fault please disconnect the fire from the mains supply
- Warning: This appliance must be earthed.

The wires in the mains lead connected to this appliance are coloured in accordance with the following code:

Green and Yellow	Earth
Blue	Neutral
Brown	Live

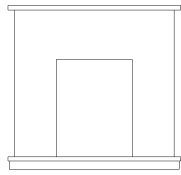

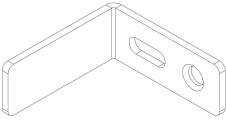
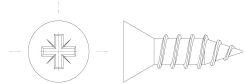
As the colour of the wires in the mains lead of this appliance may not correspond with the coloured markings identifying the terminals in your plug, proceed as follows, The wire which is coloured Green and Yellow must be connected to the terminal in the plug which is marked with the letter E or by the earth symbol or coloured Green or Green and Yellow. The wire which is coloured Blue must be connected to the terminal which is marked with the letter N or coloured Black. The wire which is coloured Brown must be connected to the terminal which is marked with letter L or coloured Red.

## Suite Installation

Please unpack carefully ensuring that any loose parts and all packing items are removed. Read any warning labels carefully (see Maintenance Section).

Place waste packaging back into box and dispose of RESPONSIBLY.

**The surround / appliance must be positioned so that plug (fused spur) is accessible. Only when you are certain that you have completed the installation should you plug in and switch on at the wall socket.**

REF.	SUPPLIED PARTS - DESCRIPTION	ILLUSTRATION	QTY	REF.	SUPPLIED PARTS - DESCRIPTION	ILLUSTRATION	QTY
A.	SUITE WITH ELECTRIC FIRE INC.		1	C.	WALL BRACKETS		2
B.	MANTEL BRACKETS		2	D.	16mm C/SUNK SCREWS		4

### Before You Start

- The appliance Data Plate is located underneath the heater box, check and make sure you have all the parts as listed above. If not, contact :
- Be-Modern Helpline on 0191 430-0901.**

### Finishing Touches

Prior to installation the transit screws in the front of the fire must be removed so the fire can be removed if necessary. If this appliance is to be used outside of the UK the IEC cable will need to be changed to the two pin plug cable supplied.

### Installing the Mantel

Place Suite (A) in the required position and remove any obstructions, i.e. cut to shape or remove skirting to allow the Suite to butt up flush against the wall (if required). Remember to allow enough space when cutting the skirting for the cable to exit from the desired side.

1. Trial fit the mantel in the required position. Remove any obstructions, i.e. cut to shape or remove skirting to allow the mantel to butt up to the wall. Note: Mantel is a two adult person lift.
2. Screw the 2 mantel brackets (B) to the inside of each leg using the 4 screws provided (D - 16mm), making sure that the brackets are flush with the rear of the leg. See Fig.1&2.
3. With the mantel in position. Lightly scribe the wall in line with outer edges of the mantel. Lift the mantel away from the wall. Measure inwards from the previously scribed line the thickness of the mantel leg plus 10mm. See Fig.2.
4. Fix the wall brackets (C) in place using the appropriate fixing dependent on the type of wall (Fixing are not supplied). Ensure mantel brackets (B) will fall halfway between the folds on the wall brackets (C). See Fig.2.
5. **IMPORTANT:** If a power cable is to be routed to the rear of the mantel. Care must be taken not to crush or damage the cable when positioning the mantel.
6. Lift the mantel onto the wall brackets (C) and confirm it is securely held in place. If any adjustment is required take the mantel off the wall and adjust using the slots on the mantel brackets (C).
7. NB. Should a defect be discovered and in the event of a suite being permanently fixed to the wall the householder will be responsible for any costs incurred.

### Care

- To maintain the appearance of your new suite we recommend that it is dusted using a lint free cloth. NEVER use any form of abrasive or DAMP cloth.

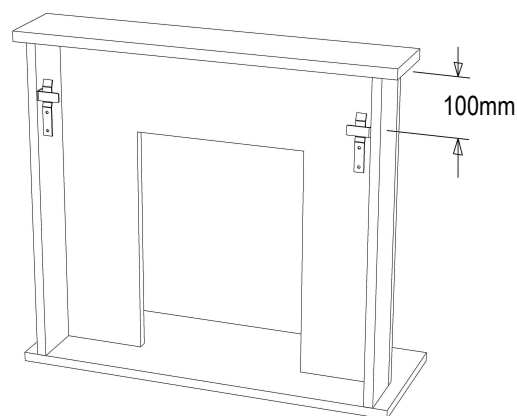


Figure 1

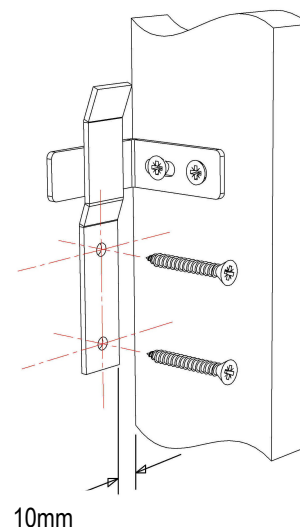


Figure 2

## Fire Only

Please unpack carefully ensuring that any loose parts and all packing items are removed. Read any warning labels carefully (see Maintenance Section). Place waste packaging back into box and dispose of RESPONSIBLY.

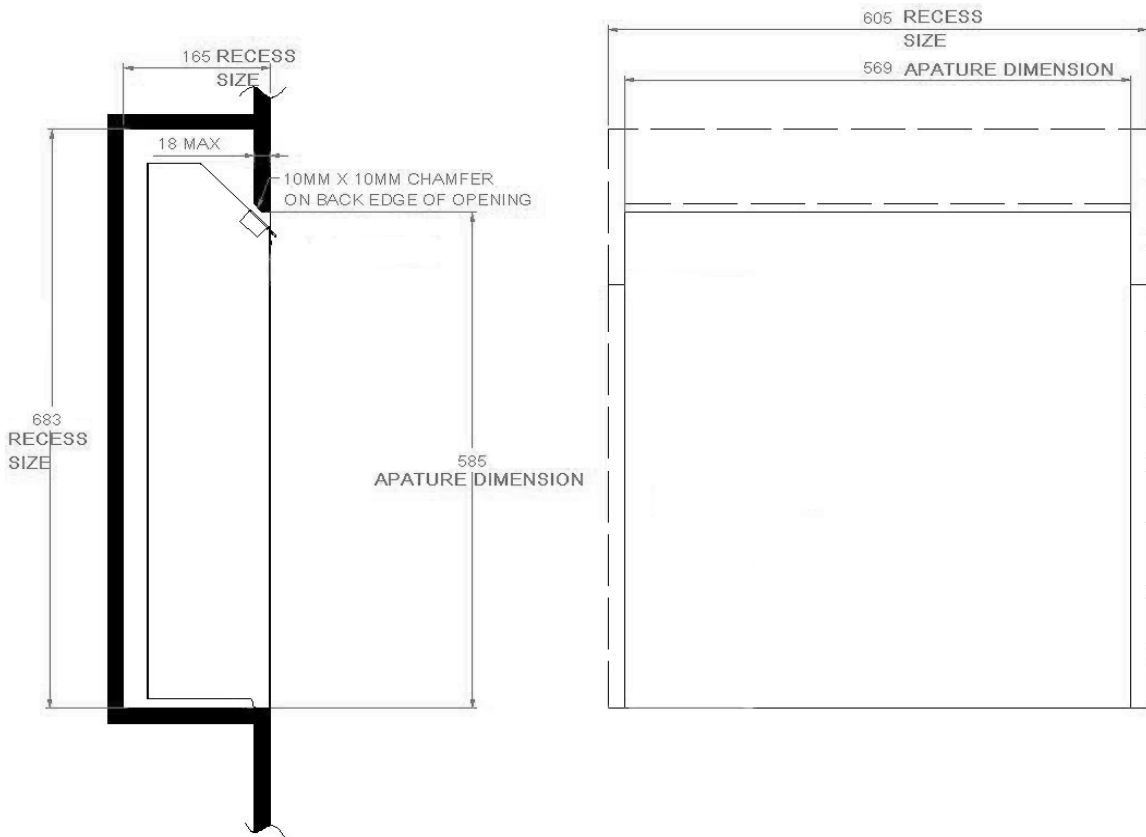
**The surround / appliance must be positioned so that the plug or fused spur is accessible. Only when you are certain that you have completed the installation should you plug in and switch on at the wall socket.**

### Before You Start

- The appliance Data Plate is located on the underside of the Heater box and can be accessed by removing the glass. (Disconnect from the mains supply before removing the glass as described in the maintenance section).
- This fire should not be installed into an open / existing fireplace without the opening being professionally blanked off to reduce the risk of a back draught, which could cause the safety cut-out to operate.
- The fire has two spring steel brackets affixed to either side. These are used to hold the fire in the correct position when inserted into the recess / surround as below.

### Installation:

Figure 1 – Installation Recess / Surround Dimensions (All Dims are in mm)



- Ensure that the installation aperture dimensions are as to the above specification.
- Swing the unit into the opening and rest the bottom of the fire onto the bottom of the recess as shown in Fig.2.
- Gently push the fire backwards into the recess / surround until it is flush against the wall / panel.
- The spring clips will keep the fire in position

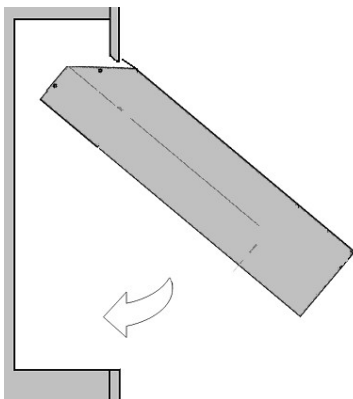


Figure 2 – Installation

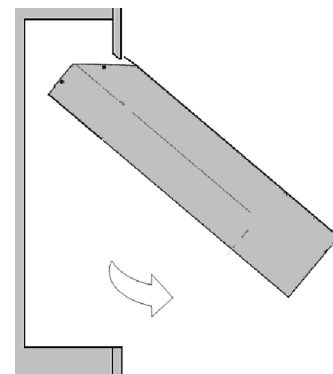
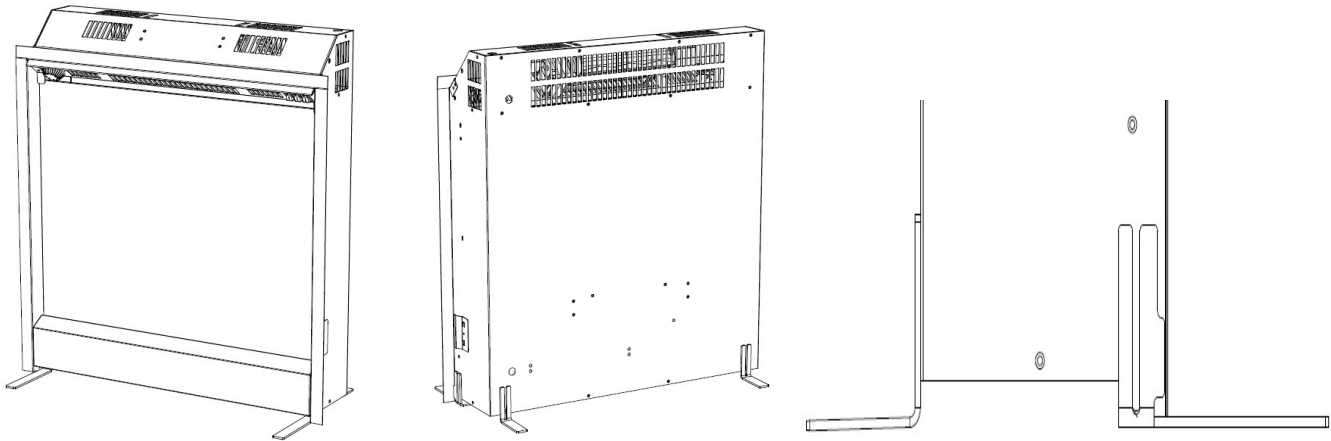


Figure 3 - Removal

## Using the fire as a portable appliance

Should you decide to use the appliance in a different location simply pull appliance away from the recess / surround, two spring clips are attached to the fire on either side to hold the fire in the correct position whilst in place. The brackets / stands supplied with this appliance are to be affixed using the existing screws on the appliance and are to prevent appliance falling over whilst in use. Loosen the screws a couple of turns enough to enable you to slide the brackets into position. Once in position retighten the screws (see below). The appliance is now ready for use in another room / location



**\*IMPORTANT\*** This appliance must have the feet / brackets fitted to be used as a portable appliance. These feet / brackets are to prevent the fire from tipping over.

## Trims (various)

If your appliance is supplied with a trim please follow the below guidelines for fitting

### 1 Piece trim (3 sided)

**IMPORTANT:** The trim is located in the rear of the surround. Do not discard trim with packaging.

Please use the following instructions as a guide for fitting the optional 1 piece metal trim (only available with selected models).

Note - Remove the protective plastic film from the trims prior to fitting.

Position the magnets on the insides of the trim, 2 at the top and 2 on each side on the leg pieces spreading them out evenly to get a strong pull on the fire metalwork. Place the three pieces of the trim against the fire frame as shown in **Fig.4**. The trim installation is now complete.



**Fig 4**

### 1 Piece Trim (Painted Trim):

To attach the decorative trim, align the trim feet in position with the fire and push the top in securely so that the magnets can get a strong grip on the metalwork. The trim installation is now complete.

### 3 Piece trim (3 Sided)

**IMPORTANT: The trim is located in the rear of the surround, on top of the fire. Do not discard trim with packaging.**

Please use the following instructions as a guide for fitting the optional 3 piece metal trim (only available with selected models).

Note- remove the protective plastic film from the trims prior to the following steps.

Position the magnets on the insides of the three trim parts (left, right and top) spreading them out evenly as to get a strong pull on the fire metalwork. Place the left hand trim vertically against the fire frame as shown in **Fig.5**. Note - you should feel the magnets pulling the trim into place. Repeat this process using the right hand side and finally the top trim **Fig.6**. When locating the top trim make sure the sides sit flush with the outer edge.

The trim installation is now complete.



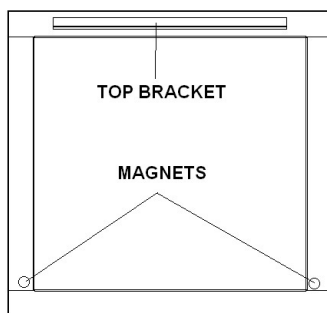
**Fig.5**



**Fig.6**

### 1 Piece trim (4 sided)

Using 4 of the 7mm magnets supplied double them up to make two sets of 14mm magnets. Position the two 14mm magnets as shown in **FIG.7** close to the inside edge of the trim. Hook the top bracket over the top of the fire front and gently lower the trim into position, ensuring the trim does not slip with the pull of the magnets. The trim installation is now complete.



**REAR VIEW**

**Fig.7**

### Preparation for Use

Check that the supply voltage details on your flame effect fire are in accordance with your electrical supply. Your fire is fitted with a plug incorporating a 13 Amp fuse. In the event of replacing the fuse in the plug supplied, a 13 Amp fuse approved by ASTA to BS 1362 must be used. Before switching on, please read the following operation instructions.

### Thermostat

This model is fitted with a thermostat dial that is mounted on the left-hand side of the heater box control panel (see figure 8). It can be used to control the heat output to maintain a constant room temperature to suit user requirements. This will ensure that excessive heat is not produced unnecessarily.

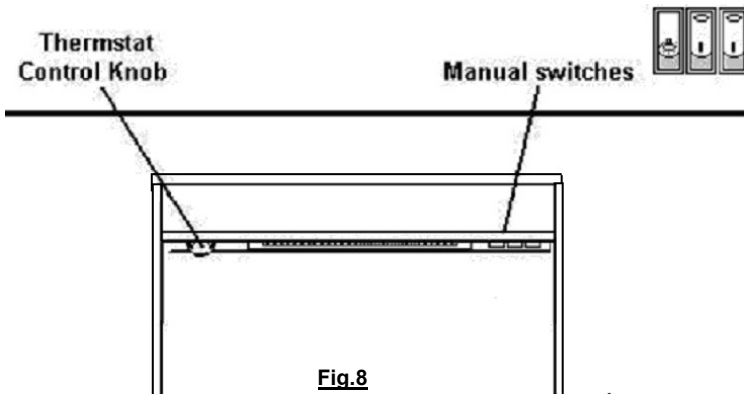
#### To set the temperature

The dial is marked with numbers to indicate the maximum and minimum temperature positions. Start with setting 9 and when the room has reached a desired level turn the dial slowly to the left until the thermostat 'clicks' off. The thermostat will then maintain the room temperature at the selected level. To increase the temperature, turn the dial back to the right to a higher setting.

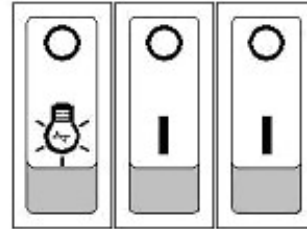
**Note: - It is possible that if the room temperature is higher than the thermostat setting it will not come into operation and the heater will remain off until the temperature of the room cools.**

### Manual 3 Switch Operation:

The Flame effect and heat controls are located under the top shelf of the fire surround on the right-hand side of the heater box as shown in **Fig.8**.



**Fig.8**



**Fig.9**

- The first switch marked with a light bulb controls the lamp and flame effect as shown in **Fig.9**.
- The next two switches operate the fan convector heater. To use the heater, the middle of the three switches marked **O/I** (**O** is off, **I** is on) should be operated first for 1 kW of heat. The right hand switch also marked **O/I** should be used together with the middle switch to give 2kW of heat.
- Note: The lamp switch must be in the 'on' position for heater to function.

### Safety Thermal Cut-out and Thermal Link:

This appliance is fitted with an Electric Safety Control (E.S.). This is a safety device which switches off the fire if, for any reason the appliance overheats. The E.S. Control can only be re-set after the appliance has cooled down.

In order to re-set the E.S. Control, proceed as follows:

- Switch off the appliance. Unplug at wall socket and leave for approximately 5-10 minutes.
- Plug in, switch on appliance and the E.S. Control will re-set.

Ensure that the appliance is functioning correctly. If the E.S. Control switches off again it is advisable to have the appliance checked by a competent electrician.

**Note:** -This appliance also has a secondary thermal fuse link incorporated into the heating element that will break the electrical circuit in the event that the heater fan fails to operate. Unlike the E.S. if this link breaks the fire will not be allowed to re set and the appliance should be checked by a competent electrician and the fan/element replaced.

**CAUTION:** In order to avoid a hazard due to inadvertent resetting of the thermal cut out, this appliance **must not be** supplied through an external switching device, such as a timer, or connected to a circuit that is regularly switched on and off by the utility.

### Maintenance:

- **WARNING:** - Before undertaking any maintenance or cleaning, ensure appliance is disconnected from mains supply. Only competent persons should service / repair appliance.
- **WARNING:** - There are no internal user serviceable parts, i.e. bulbs, in this product. Under no circumstance should access be gained to the internal parts other than by a suitably qualified person.
- **Please note:** - If the supply cord on this appliance is damaged it must be replaced by the manufacturer, Authorised Service Agent, or a qualified person to avoid hazard.
- The two glass retaining brackets must be removed Figure 10 below, so the glass can be taken out to access the data plate.



**Figure 10 – Glass retaining brackets**



**PLEASE NOTE THAT THIS APPLIANCE USES A MOTOR TO OPERATE THE FLAME EFFECTS AND THE HEATER, IN OPERATION IT MAY BE POSSIBLE TO HEAR EITHER OF THESE MOTORS WHERE THE BACKGROUND NOISE IS VERY LOW. THIS IS NORMAL AND SHOULD NOT BE A CAUSE OF CONCERN.**

#### **General Fire Care – not glass**

- To maintain the appearance of your new appliance, we recommend that it is dusted using a lint free cloth. NEVER use any form of abrasives or a DAMP cloth on the appliance.
- The area around the fire should be kept free of any materials such as lint or house dust (i.e. animal hair/ carpet fibres) that could be drawn into the internal workings of the appliance and hence affect the performance. We recommend that you clean around the fan grille housing at regular intervals. This can be done using standard vacuum cleaner and suitable attachment.

#### **Glass Care**

- Periodically it may be necessary to remove the glass screen for cleaning. This is achieved by first disconnecting the appliance from the mains supply, then remove the brackets in the top left and right hand corner of the glass screen by unscrewing the 4 screws (2 per side) whilst supporting the glass from the front.
- With the brackets removed, lift the glass panel upwards and forwards to remove the panel from the fire. Place the glass in a clean, soft, safe location for cleaning.
- When cleaning the glass panel, use a slightly damp cloth. Do not use washing powders or any other substance containing abrasives since these substances could scratch the glass

#### **Fault finding – Symptoms and cures**

It is highly unlikely you should have a fault with your electric heater, but should there appear to be a problem, please refer to the following checklist of our most frequently asked questions from customers. If these do not answer your query, please contact your retailer, or call our customer service department.

*No Flame Effect:* Please check – does the heater still work?

If Yes, - it will almost certainly need a LED unit (See Maintenance section)

If No, - has the heater cut out operated?

To protect against overheating please refer to the safety cut out paragraph.

If still not working, first change the 13 Amp fuse in the plug with one you know works. Secondly, check the wall socket by plugging in a table lamp that you know has worked on another socket. If this does not work, get an electrician to check the socket.

## **Electric Fire Guarantee**

Be Modern Ltd. (the 'Company') provide a **twelve month** guarantee in respect of electric fire (the 'Product') ranges.

#### **1. The twelve month Guarantee applies to:**

- All 'Products' in the ranges manufactured by the 'Company' (but subject to exceptions below); where
- The 'Product' has been purchased and installed within the UK and in respect of
- The initial installation; and in favour of
- The original Purchaser

#### **2. Proof of purchase must be retained by the Purchaser**

#### **3. The twelve month Guarantee does not apply to:**

- Damage or inferior workmanship practices while the 'Product' is being installed
- Damage caused by the mis-use of the 'Product' or where normal standards of care and use have not been complied with.
- Damage through a malfunction or an inadequately installed electric fire.
- Damage or defects due to, mis-use, accident or unauthorised alterations.

During the **twelve month** after the 'Product' has been supplied, the Guarantee covers the making good (whether by repair or replacement at the company's option) of defects arising from defective manufacture of materials of 'Product' covered in paragraph (1), all at no cost to the Purchaser.

#### **This Guarantee does not affect your statutory rights**

On requiring service contact the retailer who supplied your product who will assist you and advise you as necessary.



This fire complies with the European Safety Standards (LVD) EN60335-1, EN60335-2-30, the European Electro Magnetic Compatibility (EMC) EN55014, EN61000 and EN62233 which covers the essential requirements of the EEC Directives and 89/336

**Be Modern Ltd. Customer Services: Tel (0191) 430 0901-Fax (0191) 430 9522**

**Waste electrical products should not be disposed of with household waste. Please recycle where facilities exist. Check with your local authority or retailer for recycling advice.**



Table 2

## Information requirements for electric local space heaters

Item	Symbol	Value	Unit	Item	Unit
Model identifier(s): 1174, 1434, 1499, 1471					
<b>Heat Output</b>				<b>Type of heat input, for electric storage local space heaters only (select one)</b>	
Nominal heat output	<i>P<sub>nom</sub></i>	2.0	kW	manual heat charge control, with integrated thermostat	[yes/nae]
Minimum heat output (indicative)	<i>P<sub>min</sub></i>	1.0	kW	manual heat charge control with room and/or outdoor temperature feedback	[yes/no]
Maximum continuous heat output	<i>P<sub>max, c</sub></i>	2.0	kW	electronic heat charge control with room and/or outdoor temperature feedback	[yes/no]
<b>Auxiliary electricity consumption</b>				fan assisted heat output	
				[yes/no]	
At nominal heat output	<i>el<sub>max</sub></i>	0.0125	kW	<b>Type of heat output/room temperature control (select one)</b>	
At minimum heat output	<i>el<sub>min</sub></i>	0.012	kW	Single stage heat output and no room temperature control	[yes/no]
In standby mode	<i>el<sub>SB</sub></i>	0.0003	kW	Two or more manual stages, no room temperature control	[yes/no]
				with mechanic thermostat room temperature control	
				[yes/nae]	
				with electronic room temperature control	
				[yes/no]	
				electronic room temperature control plus day timer	
				[yes/no]	
				electronic room temperature control plus week timer	
				[yes/no]	
				<b>Other control options (multiple selections possible)</b>	
				room temperature control, with presence detection	
				[yes/no]	
				room temperature control, with open window detection	
				[yes/no]	
				with distance control option	
				[yes/no]	
				with adaptive start control	
				[yes/no]	
				with working time limitation	
				[yes/no]	
				with black bulb sensor	
				[yes/no]	
Contact details	Name and address of the manufacturer or its authorised representative. Be Modern Ltd, 19-34 Bedesway, Bede Industrial Estate, Jarrow, NE34 3BE				