



# Maestro 75XTU RCH

G20/G25/G25.3 (Natural gas), G30 (Butane), G31 (Propane)



Installation manual



Store this document in a safe place



## Contents

1. Introduction
  2. CE declaration
  3. SAFETY
    - 3.1 General
    - 3.2 Regulations
    - 3.3 Precautions / safety instructions at installation
    - 3.4 Principle of ignition cycle
  4. Removing the packaging
  5. Installation
    - 5.1 Type of gas
      - 5.1.1 Reconstruction to different type of gas
    - 5.2 Gas connection
    - 5.3 Electric connection
      - 5.3.1 Connecting the switch contact
      - 5.3.2 Connecting the Dru Omivent
    - 5.4 Placing the appliance
    - 5.5 Placing a built-in appliance
    - 5.6 Placing the chimney breast
    - 5.7 Placing the control hatch
    - 5.8 Concentric system
      - 5.8.1 General
      - 5.8.2 Construction of the concentric system
      - 5.8.3 Placing the concentric system
    - 5.9 Connection to an existing chimney (C91)
    - 5.10 Additional instructions
    - 5.11 Platform
      - 5.11.1 Platform combined with lower decorative strip
      - 5.11.2 Platform connecting to the glass
    - 5.12 Glass panes
      - 5.12.1 Removing the glass panes
      - 5.12.2 Placing the glass pane
    - 5.13 Setting the appliance
      - 5.13.1 Restrictor slide
      - 5.13.2 Air inlet guide
    - 5.14 Placing the wood set
      - 5.14.1 Wood set
  6. Control
    - 6.1 Remote controls
      - 6.1.1 Black remote control for the user
      - 6.1.2 Orange remote control for the installer
    - 6.2 Alternative controls
      - 6.2.1 Wired
      - 6.2.2 Wireless
  7. Final inspection
    - 7.1 Gastightness
    - 7.2 Gas pressure/line-pressure
    - 7.3 Ignition main burner
      - 7.3.1 First ignition of the appliance after installation or adjustments
      - 7.3.2 Main burner
    - 7.4 Flame picture
  8. Maintenance
    - 8.1 Parts
  9. Delivery
  10. Malfunctions
- Appendix 1 Malfunctions  
Appendix 2 Tables  
Appendix 3 Figures

## 1. Introduction

DRU, a manufacturer of gas-fired heating appliances, develops and produces products that comply with the highest possible quality, performance and safety requirements. This appliance has a CE label, which means that it complies with the essential requirements of the European Gas Appliance Directive. The appliance is supplied with an installation manual and a user manual. Installation and maintenance of the appliance should be performed by a professional certified expert with a proven knowledge and demonstrable competence in this field. A professional expert takes all technical aspects such as heat output, gas connection and electricity into account, as well as the flue gas discharge requirements. The information in this installation manual will ensure the appliance is installed in such a way that it will function properly and safely. If the installation instruction is not clear, national/local regulations must be observed.

This manual discusses the installation of the appliance and the regulations that apply to the installation. In addition, the appliance's technical data are shown and information is provided about maintenance, possible malfunctions that might occur and their possible causes.

The figures are at the back of this installation manual, in the appendix.

Fully and carefully read and use this installation manual, before installing the appliance. When using the DRU Powervent system® or DRU CM system®, the accompanying installation manual should also be read completely and carefully, before installation work is started.

The following symbols are used in the manuals to indicate important information:

- Work to be performed
- !Tip Suggestions and recommendations
- !Caution You will need these instructions to prevent problems that might occur during installation and/or use.
- !Caution You need these instructions to prevent fire, personal injury or other serious damages.

After final delivery, the manuals should be handed over to the user.

## 2. CE declaration

DRU declares that company internal measures guarantee that appliances produced by DRU meet the essential requirements and guidelines of the regulation concerning gas-fired appliances and the accompanying standards. This declaration loses its validity if changes are made to the appliance without written permission from DRU. The instructions in the manuals must also be observed at all times.

A copy of the CE test certificate can be downloaded via [www.druservice.com](http://www.druservice.com).

Product:	Gas-fired heating appliance
Type:	Maestro 75XTU RCH
Product identification number:	0063CS3117
Conformity assessment agency:	Kiwa Netherlands B.V. (0063) Wilmersdorf 50 Postbus 137 7300 AC, Apeldoorn
Regulations:	(EU) 2016/426, (EU) 2015/1188
Directives:	2014/35/EU, 2014/30/EU
Standards:	EN 613:2000, EN 613:2000/A1:2003, EN 613:2000/PrA2:2002 EN 60335-1:2012, EN 60335-2-102:2016, EN 55014-1:2007 EN 55014-2:2015, EN 61000-3-2:2014, EN 61000-3-3:2013

DRU Verwarming B.V.  
Postbus 1021, 6920 BA Duiven  
Ratio 8, 6921 RW Duiven  
[www.drufire.com](http://www.drufire.com)

Duiven, 09-02-2018



R.P. Zantinge Managing director

## 3. SAFETY

### 3.1 General

- !Caution**
- Observe the generally applicable regulations and precautions/safety instructions in this manual.
  - First check – in appendix 2, table 2 – whether the appliance to be installed has the correct technical version.
  - Read the manual carefully to ensure a proper and safe installation of the appliance.
  - Observe the regulations/instructions in this manual.

### 3.2 Regulations

Please install the appliance in accordance with the applicable national, local and constructional (installation) regulations.

### 3.3 Precautions / safety instructions at installation

Carefully observe the following precautions/safety regulations:

- The appliance may only be installed and maintained by recognised installers who are skilled in the field of gas heating and electricity.
- Do not make any changes to the appliance.
- When installing a built-in appliance:
  - Use non-combustible and heat-resistant materials for the chimney breast, including the top of the chimney breast and the material in the chimney breast, such as the floor under the appliance and the back wall against which the appliance will be placed. For this you can use both sheet material and stone-like materials.
  - Take sufficient measures to prevent temperature of a wall behind the chimney breast becoming too high, including the materials and/or objects behind the wall.
  - Take the minimum required internal dimensions of the chimney breast into account. These are for the benefit of safety and for the prevention of excess heat accumulation in the chimney breast.
  - Vent the chimney breast by means of the ventilation holes (see table 4-1). These are essential for ensuring safety and for the prevention of excess heat accumulation in the chimney breast.
  - Use heat-resistant electrical wiring.
  - Place heat-resistant electrical wiring away from the appliance and as low as possible in the chimney breast. This has to do with the temperature development in the chimney breast.
- Only use the flue gas discharge / combustion air supply system supplied by DRU.
- When installing a free-standing appliance: place the appliance away from the back wall by the minimum distance stated further down in the text.
- Do not cover the appliance and/or do not wrap it in an insulation blanket or any other material.
- Keep combustible objects and/or materials outside the appliance's radiation range. This radiation range is 500 mm, unless stated otherwise.
- Only use the accompanying set, such as the wood or pebble set, and place it exactly as described.
- Leave space around the ionisation pin and spark electrode and never place glow material around these pins.
- Make sure there is no dirt in gas pipes and connections.
- Place a gas tap in accordance with applicable regulations.
- Prior to putting into operation, check the complete installation for gastightness.
- Prevent blocking of the explosion hatch(es) at the top and/or bottom of the appliance and check whether it/they connect(s) properly to the sealing surface before the appliance is built in.
- Do not ignite the appliance before the gas, discharge and electric connections have been fully installed, first observe the procedure described in chapter 7.3.
- Do not use the appliance when a pane is broken and/or cracked, until it has been replaced.
- The appliance was designed for atmospheric and heating purposes. This means that all visible surfaces, including the glass pane, can become hotter than 100C°. It is recommended to always place a protective grating in front of the appliance when there are children, elderly people or handicapped persons in the same room as the appliance. If it is possible that vulnerable people are regularly present in the room with no supervision, a fixed guard should be mounted around the appliance.



### 3.4 Principle of ignition cycle

Below you will find a brief description of how this appliance is ignited. The receiver in the appliance will get a signal from the remote control to start the ignition process. The receiver will get the signal to start the ignition process. This signal is passed on to the burner device, after which, if applicable, the relay for the Powervent System® is switched. After an 8 second interval, the ignition on the spark electrodes will start. If no Powervent System® is connected, only the relay will switch and the ignition will start immediately. The main burner will be ignited at about 50% of its capacity. This will prevent a larger amount of gas in the combustion chamber, if no ignition takes place. When the gas ignites, ionization will have to be detected. In order to make sure the flame has passed over, this will take place at the other side of the burner. When ionization is detected, the gas control will modulate to 100%.

In case of an appliance with a switchable second burner, the second valve is switched (you will be able to hear a 'click') in order to ignite the second burner. After ignition of the second burner, the appliance will always go to the full position (full capacity). This will guarantee that the second burner will actually ignite. The second burner can be switched on and off manually, by means of the remote control. In case of switching on manually, the appliance will first return to full load.

- !Caution** The appliance's control unit is characterized by stringent safety requirements. It is possible that the burning appliance switches off automatically and then switches back on again. This is not a failure, but a check. The moment the appliance's control unit is connected to mains voltage, the control unit will perform this check every 24 hours. If the appliance is burning at that time, the appliance will extinguish and then start again immediately.
- If you wish to prevent this, you can remove the plug and insert it again at a time during the 24 hours when the appliance is never or hardly ever burning.

## 4. Removing the packaging

Note the following items when removing the packaging:

- Remove all packaging materials.
- Remove all supplied components in, on and/or at the appliance.
- Check the appliance and accessories for damages (during transport).
- If necessary, contact your supplier.
- Never install if an appliance is damaged!
- Remove any screws that are used to fix the appliance to a platform or pallet.

- !Caution** The glass pane(s) is/are made of a ceramic material. Very small irregularities in the glass panes cannot be avoided, but are within the required quality standards.

- !Caution** Keep plastic bags away from children.

- Appendix 2, table 1 indicates which components should be available after unpackaging.
- Contact the supplier if you find that not all components have been supplied.
- Packaging must be disposed of in accordance with the regulations.

## 5. Installation

### 5.1 Type of gas

The data plate indicates for which type of gas, gas pressure and for which country this appliance is intended. The data plate can be found on the appliance or can be attached to a chain to which it should remain attached.

**!Caution** Check whether the appliance is suitable for the type of gas and gas pressure used at the location.

#### 5.1.1 Reconstruction to different type of gas

In order to convert this appliance to a different type of gas, please contact DRU's service department and ask for the possibilities.

### 5.2 Gas connection

Place a gas tap in the gas pipe in accordance with the applicable regulations.

The gas connection on the gas control is located next to the receiver (see Appendix 3, fig. 38 (G)).

- !Caution**
- Make sure there is no dirt in the gas pipes and connections.
  - No soldering may take place at the flexible gas hose(s), as this could cause leaks.

The following requirements apply to the gas connection:

- Use a gas pipe with the correct dimensions, so that no pressure loss can occur.
- The gas tap must be approved (in the EU this will be the CE mark).
- You should always be able to reach the gas tap.

#### 5.2.1 Gas hose for gas connection

In many cases, a gas hose for a gas connection according to EN14800 can be ordered together with the appliance (consult druservice). The gas hose is mounted to the appliance and has been checked for leak-tightness. This gas hose is available in different lengths.

**!Caution** Take the following into account when installing the gas connection and the appliance (see Appendix 3, fig. 42 and 43):

- The gas connection must always be accessible to be able to shut off the gas supply.
- The gas connection may only be mounted vertically, so that the gas hose can be connected vertically at the bottom.
- The gas connection is permitted in a zone (blue hatched area in the figure):
  - To the left and right of the appliance to a height of 30 cm above the bottom side of the appliance (the bottom side is the end of the adjustable feet holder, without the feet).
  - Under the appliance in the area between the legs.
- The gas connection and gas hose should not be placed behind the appliance.
- The gas hose may not get above the bottom side of the appliance (the bottom side is the end of the foot without the adjustable feet)
- The minimum bend radius of the hose is 40 mm.
- The hose should be placed as low as possible, must have a minimum distance from the appliance of 20 mm and, if possible, should not be placed under the burner.
- The entrance of the gas control in which the hose is mounted faces the appliance. Due to the required minimum bend radius, the chimney breast width becomes larger on the side of the control hatch. With this gas hose, the depth of the control hatch is not 230 mm, but will now be 270 mm.

### 5.3 Electric connection

In case of a 230 Volt electrical connection, provide proper grounding. Place this electrical connection away from the appliance, as low as possible in the chimney breast. This has to do with the temperature development in the chimney breast.

- !Caution**
- Make sure that it is easy to disconnect the appliance from the power supply after installation;
    - by disconnecting the plug;
    - or by means of a 2-core switch installed by a recognised installer in accordance with current regulations.

- !Caution**
- Protect the gas control and electric components, hereafter referred to as the gas control, against building dust and moisture!
  - For connecting the receiver and control panel at an appliance equipped with the CM system®, you must observe the instructions in the supplied manual.

### 5.3.1 Connecting the switch contact (if applicable)

It is possible to operate one or more lamps (in case of several lamps, a maximum of 0.5A/250VAC/30VDC) via the remote control of the appliance. You could think of the lamps of Dru's lux elements. For this, you can use switch contact B on the receiver (see appendix 3, fig 36). The switch contact is not polar sensitive.

### 5.3.2 Connection extra power supply (max. 80W, 230VAC) (if applicable)

This connection is ideal for possible lighting or a ventilation system in the chimney breast and can be operated by means of the remote control (see appendix 3, fig. 36 (C)). The power supply of this connection is identical to the mains voltage and it can be subjected to a maximum load of 80 Watts.

## 5.4 Placing the appliance

- !Caution**
- Place the appliance in front of a heat-resistant and non-combustible wall and on a heat-resistant and non-combustible floor. The wall brackets on a built-in appliance ensure that the minimum distance to the wall is maintained.
  - Ensure there are no combustible objects or materials present in the fire's radiation range, within a distance of 500 mm, unless indicated otherwise.
  - Place the concentric system in such a way that no fire hazard is ever created (also see section 5.8).
  - Take sufficient measures to prevent temperatures of a possible wall behind the chimney breast, or the floor under the chimney breast from becoming too high; including the materials and/or objects located there.
  - Do not cover the appliance and/or do not wrap it in an insulation blanket or any other material.
  - Make sure that the appliance to be installed has a stable position. Fasten possible extending legs with the self-tapping screws.

- !Caution** When installing a built-in appliance, always take the following into account:
- The minimum construction measurements according to Appendix 3, Fig. 1 and 2.
  - The construction height of the appliance.

- Provide a gas connection at the location. For details, see section 5.2.
- Make a passage for the concentric system; for details, see section 5.8.3.

- !Caution** Additional instructions for the appliance to be installed can be found from section 5.10.

## 5.5 Placing a built-in appliance (if applicable)

Not all built in DRU appliances are supplied with a control hatch.

- !Caution** Built in appliances must be installed with the DRU control hatch. This is necessary to ensure a durable, safe and proper operation. The DRU control hatch can be ordered separately. Exceptions are:  
Appliances with supplied DRU guard cabinet. The DRU guard cabinet is intended for installation with a suspended platform. If the appliance will be connected to the DRU PowerVent system, the DRU control hatch has to be used after all.

The gas control is mounted to the appliance. It must be taken out and placed in the control hatch at a later time. For placing the gas control in the control hatch, see section 5.7.

Proceed as follows:

- Loosen the bracket with the gas control by loosening the self-tapping screws and screw the self-tapping screws back in the appliance.
- Place the bracket with gas control, together with the wiring of the ignition/ionisation cable(s), the flexible gas hose(s) and type plate with chain in the direction of the control hatch.

- !Caution** The data plate should remain connected to the chain.

- Set the height of the appliance using the adjustable feet.
- Make the appliance level at the same time.

- !Tip** The construction frame can be adjusted afterwards for most 2- or 3 sided appliances. This allows a good contact of the construction frame with the chimney breast. Adjustment should take place before the appliance is built in. After building in, adjustment is no longer possible. For 2- or 3-sided appliances that cannot be adjusted, we refer to section 5.10 'Additional instructions'.

**!Caution** Do not ignite the appliance before the gas, discharge and electric connections have been fully installed, first observe the procedure described in chapter 7.3.

### 5.6 Placing the chimney breast (if applicable)

For the benefit of a good heat discharge, operation of the appliance and general safety, there should be sufficient space around the appliance.

The chimney breast should be ventilated sufficiently by means of ventilation holes (incoming and outgoing). These are essential for safety and for the prevention of excess heat accumulation in the chimney breast.

**!Caution** When an appliance is built in the floor, please take into account the minimum distances from a combustible floor. If applicable, additional information about this is provided from section 5.10 'Additional instructions'.

- !Caution**
- Use non-combustible and heat-resistant materials for the chimney breast, including the top of the chimney breast and the material in the chimney breast, including the back wall and floor.
  - The appliance is not a support structure. Make sure the appliance does not have to bear the weight of the chimney breast for example.
  - The passage of the ventilation holes (outgoing), which are placed as high as possible, is stated in Appendix 2, Table 2.
  - If no control hatch is placed in the chimney breast, an air supply of at least 80 cm<sup>2</sup> should be attached as low as possible. If there is, the control hatch will suffice as air supply.

- !Caution** When placing the chimney breast, you should take the following into account (see Appendix 3, Fig. 2):
- The location for the control hatch: this must be placed as low as possible.
  - The dimensions of the control hatch; see Placing the control hatch section 5.7.
  - The location of the ventilation holes (V) (outgoing).
  - Maintain a minimum 30 cm distance between the top of the ventilation hole (outgoing) and the ceiling of the house.
  - The measurements of the glass pane, so that it can be placed/removed after placing the chimney breast.
  - The protection of the gas control and the pipes against cement and plaster.
  - If possible, you should place decorative strips, frames, etc., after any required structural work has been completed. Prevent the use of painter's tape. If this is not possible: use a good quality painter's tape and remove it immediately after plastering or painting work.

**!Tip** You should preferably apply the ventilation holes (outgoing) on both sides of the chimney breast. Use the DRU ventilation elements.

Check the following issues, before the chimney breast is fully closed:

- Whether the discharge / concentric system is placed correctly.
- Whether the channels, fixing brackets and possible clip bindings, which cannot be reached after installation, are fastened by means of self-tapping screws.

- Do not plaster on or over the edges of the construction frame, because:
  - The heat of the appliance could cause cracks.
  - It will no longer be possible to remove/place the glass pane.
- When using stone-like materials and/or plaster finishing, allow the chimney breast to dry for at least six weeks prior to taking the appliance into operation in order to prevent cracks.

### 5.7 Placing the control hatch (if applicable)

The control hatch (also see paragraphs 5.5 and 5.6) is placed as low as possible in the chimney breast.

- !Caution**
- The bottom of the control hatch may not be placed higher in the appliance than the burner surface.
  - Place control hatch and bracket with gas control indoors in a dry place only!

A number of components are placed in the control hatch, such as data plate, gas control and, if applicable, the components belonging to the DRU Powervent System®.

Place the control hatch as follows, see Appendix 3, Fig. 3 for details:

- Make an opening in the chimney breast, as described in the manual for the control hatch.

- !Tip** The opening in the chimney breast may be made horizontal and vertical.
- Place the inner frame (A); unscrew bolts (D and F) for this.
- !Caution** The inner frame should be placed in the correct way. Two positions are possible. Placing the inner frame with a rotation of 180° is not allowed (see Appendix 3, fig. 4).
- !Tip**
- When the chimney breast is made of bricks, the inner frame can be built with bricks at the same time.
  - In case of a different material, the inner frame can be glued or fastened with four countersunk screws.
- Remove the bracket with the gas control (B) from the appliance and place these self-tapping screws back in the appliance.
- Attach the bracket with gas control to the inner frame (A). Proceed as follows:
- Unwind the cables. This will, amongst other things, prevent a poor operation of the ignition.
  - Unwind the flexible gas pipe(s).
  - Mount the bracket with the gas control to the inner frame (A). The slotted hole falls in allen screw (C); the hole at the bottom falls over the head of allen screw (D).
  - Fix the bracket with allen screw (C).
- !Caution**
- Avoid kinks in the pipes.
  - Do not lay the cables of the ionisation and ignition pins along metal parts, wiring and other components.
- Connect the gas pipe with gas tap (see section 5.2).
- Bleed the gas pipe.
- !Tip** If the gas tap is closed, the bracket with gas control can be easily removed by loosening the clamp coupling under the gas control and loosening the allen screw (C) by a few turns. The bracket with the gas control can now be lifted and removed towards the front out of the control hatch.
- Connect the 230V mains voltage with protective earth using the correct type of plug. The other side of the power cable can be easily connected to the universal 230V plug in the control hatch. Use this universal 230V plug to disconnect the appliance from the power supply, if necessary.
- !Caution** If the 230V power cable is damaged, replace it by a similar power cable or a power cable that is available from your dealer.
- Place the data plate in its intended clamp (G).
- Mount the outer frame with door (E) to the inner frame using two allen screws (D and F).
- !Tip** The outer frame can be placed in such a way that the door turns to the left or right.
- !Caution** Always close the control hatch with the lock (H) because of the electricity behind the door (230V). You can operate the lock with a fitting flat object.

## 5.8 Concentric system

### 5.8.1 General

The appliance is connected to a flue gas discharge / combustion air supply system delivered by DRU, hereafter referred to as the concentric system. The diameter for this connection is indicated in appendix 2, table 2. The passage to the outside can be created with a wall terminal (C11) or a roof terminal (C31). If necessary, an existing chimney can be used (see section 5.8.4).

- !Caution**
- Only use the concentric system supplied by DRU. This system has been tested in combination with the appliance. DRU cannot guarantee a proper and safe operation of other systems and does not accept any responsibility or liability for this.
  - Use a chimney set for the connection to the chimney, DRU will be able to supply it.
  - DRU's concentric system is intended for indoor use and may therefore not be used outdoors, with the exception of the sections intended for that purpose such as roof and wall terminals.

The concentric system is constructed from (the flue spigot of) the appliance.  
If, due to constructional circumstances, the concentric system is placed first, it is possible to connect the appliance by means of a telescopic pipe piece.

### 5.8.2 Construction of the concentric system

Depending on the configuration of the concentric system, the appliance must be further adjusted with a possible restrictor slide and/or air inlet guide.

See Tables 4 and 6 for determining the correct adjustment and section 'Adjustment of the appliance' for the method of working.

The concentric system with wall or roof terminal has to comply with the following conditions:

- In appendix 2, table 4 or 5 you can find whether a concentric pipe should be connected and what the minimum vertical length would have to be.
- Determine the permissibility of the required configuration.

When using a **wall terminal (C11)** the following applies:

- The total vertical pipe length, when using a wall terminal, may have a maximum length that can be found in appendix 2, table 4.
- The minimum vertical pipe length, when using a wall terminal, can be found in appendix 2, table 4.
- The total horizontal pipe length, when using a wall terminal, may have a maximum length that can be found in appendix 2, table 4 (excluding wall terminal; see appendix 3, fig. 5).

When using a **roof terminal (C31)** the following applies:

- The construction of the chosen system, when using a roof terminal, must be permissible according to Appendix 2, Table 5 (See the method of working described below).

The working method below indicates how the permissibility is determined of a concentric system when using a roof terminal.

- 1) Count the number of 45° and 90° bends required (15° and 30° bends are also allowed).
- 2) Count the total number of whole metres of horizontal pipe length.
- 3) Count the total number of metres of vertical and/or sloping pipe length (roof terminal excluded).
- 4) In the first 2 columns of Table 5, look for the number of bends required and the total horizontal pipe length.
- 5) In the top row of Table 5, look for the required total vertical and/or sloping pipe length.
- 6) A box with a letter means that the chosen concentric system is permitted.
- 7) Use Table 6 to determine how the appliance should be adjusted.

### 5.8.3 Placing the concentric system

- !Caution**
- Maintain a distance of at least 50 mm between the outside of the concentric system and the walls and/or the ceiling (see section 5.4). If the system is built in (for instance) a cove, it should be made with non combustible, heat-resistant material all around it.
  - Use heat-resistant insulation material when passing through combustible material.
  - Create a terminal for the concentric system with the following diameters:
    - The pipe diameter +25 mm for a passage through non combustible material (see Appendix 3, fig. 40).
    - The pipe diameter +200 mm for a passage through combustible material. Insulate the surrounding free space with at least 60 mm mineral wool (see Appendix 3, fig. 41).
  - The rosette of the wall terminal is too small to seal the opening in case of passage through combustible material. That is why a heat-resistant intermediate plate of sufficient size should first be mounted to the wall. Then, the rosette is mounted on the intermediate sheet.

The roof terminal can end in a sloping and a flat roof.

The roof terminal can be supplied with an adhesive plate for a flat roof or with a universally adjustable tile for a sloping roof.

- !Caution** Some heat-resistant insulation materials contain volatile components that will spread an unpleasant smell for a prolonged time; these are not suitable.

Place the concentric system as follows:

- Build the system up from (the flue spigot of) the appliance.
- Connect the concentric pipe pieces and, if necessary, the bend(s).
- On each connection, apply a clip binding with silicon sealing ring.

- Use a self-tapping screw to fix the clip binding to the pipe on locations that cannot be reached after installation.
- Attach the concentric system with sufficient fastening brackets, so that the weight is not resting on the appliance. Observe the following;
  - Place the first fastening bracket 0.5 metre from the appliance, at the most.
  - Place a fastening bracket maximum 0.1 metre from each bend, if the bends are more than 0.25 metre away from each other. If two bends are closer to one another than 0.25 metre, 1 fastening bracket between these bends will be sufficient.
  - At least every 1 metre, place a fastening bracket at slanted and horizontal sections.
  - At least every 2 metres, place a fastening bracket at vertical sections.
- Fasten a roof terminal with anchor cables, if it protrudes more than 1,5 metres above the terminal.
- Determine the remaining length for the wall or roof terminal and cut it to size, make sure the correct insertion length is maintained.
- Place the wall terminal with the (groove/folded) seam at the top.
- Attach the wall terminal from the outside by means of four screws.

**!Caution** When using the wall terminal, place the terminal with a downward slope of 1 cm / metre towards the outside, in order to prevent rain water from raining in.

### 5.9 Connection to an existing chimney (C91)

The appliance can be connected to an existing chimney. A 100 mm diameter flexible SS pipe is placed in the chimney for discharging flue gases. The surrounding space is used as combustion air supply.

In case of an appliance connection of  $\varnothing 200/130$ , 0.8 metres of concentric system must first be connected vertically. Reduce the concentric system after the first 0.8 metres to a diameter of 150/100. The concentric system of 150/100 can be vertically connected to an existing chimney.

The following requirements apply when connecting to an existing chimney:

- Only allowed when used in combination with the special DRU chimney set. The installation regulation is part of the delivery.
- The internal size should be at least 150 x 150 mm.
- The vertical length has a maximum of 12 meters.
- The total horizontal pipe length may have a maximum length that can be found in appendix 2, table 4.
- The existing chimney should be clean.
- The existing chimney should be tight.

For setting the appliance, the same conditions/instructions apply as for the concentric system described above.

## 5.10 Additional instructions

- !Tip
  - Extension legs are available for this appliance.
  - The appliance is provided with handles, making it easy to move the appliance.
- Attach the appliance to the wall by means of wall brackets (B) (see appendix 3, fig.1).
- Remove the transport plate after the appliance has been placed on the right location for the purpose of building it in.
- !Caution
  - Keep combustible objects and/or materials outside the appliance's radiation range. This radiation range is 800 mm (see appendix 3 fig. 2c).
  - With LED appliances, additional ventilation (V-in) must be installed. A 2cm inlet ventilation opening must be made around the unit to ensure sufficient cooling. No additional incoming ventilation hole is required if the appliance is placed at least 30cm above the floor, in which case a single incoming ventilation hole of 80cm<sup>2</sup> is sufficient (see appendix 3 fig. 2).

## 5.11 Platform

The appliance must be placed with a platform. This can be done in combination with the lower decorative strip or by placing the platform against the glass. The accompanying chimney breast can be used with or without a false wall (see appendix 3, fig. 2a and 2b).

- !Caution
  - Use non combustible and heat-resistant material;
  - do not allow the weight of the platform to rest on the appliance, provide proper support of the platform, separate from the appliance.

### 5.11.1 Platform combined with lower decorative strip

(see appendix 3, fig. 2a (B))

- Create a recess in the platform, in which the appliance will be placed. If a false wall (D) is used, the recess will be less deep.
- Adapt the height of the appliance and the platform support in relation to one another, so that the top side of the platform connects to the bottom side of the lower decorative strip.

### 5.11.2 Platform connecting to the glass

(see appendix 3, fig. 2a and 2b (A))

- Create a recess in the platform, in which the appliance will be placed. If a false wall is used, the recess (D) will be less deep. The maximum material thickness is 30 mm.
- Remove the lower decorative strip (see appendix 3, fig. 2b (A)) by sliding it from the appliance and taking it out. It will not be placed back.
- Remove the centring cam at the bottom of the decorative strip by cutting into it at the front and breaking it off. Make sure the bottom side of the decorative strip remains flat and resistant to corrosion.
- Loosen the nuts (B) of the adjustable profiles (C) by a few turns and adjust the profiles at the correct height. The height depends on the material thickness of the platform. Indicators have been made for a material thickness of 20 mm and 30 mm (D). Re-tighten the nuts (B).
- Adapt the height of the appliance and the platform support in relation to one another, so that the bottom side of the platform connects to the adjustable profiles.
- !Caution
  - Do not allow the weight of the platform to rest on the appliance and the adjustable profile;
  - make sure there is sufficient room for placing and removing the vertical decorative strip. We recommend a 1 mm play between the platform and the bottom side of the vertical decorative strip.



## 5.12 Glass panes

After placing the wood set (see section 5.14), it will be possible to place the glass panes:

- !Caution**
- Avoid damages when removing and placing the glass panes.
  - Use the socket spanner supplied for loosening and tightening the self-tapping screws.
  - avoid or remove fingerprints on the glass panes, as they will burn into the glass.

### 5.12.1 Removing glass panes

The procedure for removing glass panes is described below:

#### **Removing the side pane (see appendix 3, fig. 6):**

- Take the springy glass pane strip (1) at its handles and place it on the higher brackets.
- Grab the glass pane at both sides, tilt the top of the glass pane a little away from the appliance and lift up the glass pane at an angle (2).
- Tilt the bottom of the glass pane away from the appliance and remove the glass pane (3).

**!Caution** Make sure you do not damage the glass pane.

#### **Removing the front pane (see appendix 3, fig. 7):**

- If applicable, slide the lower decorative strip (A) away from the appliance. It is not necessary to remove it.
- Grab the vertical decorative strip at the top, tilt the vertical decorative strip and remove it.
- Unscrew the self-tapping screws from the vertical glass strip (C) and remove the vertical glass strip.
- Unscrew the self-tapping screws from the upper glass strip and remove the upper glass strip (D).
- Place the suction cup (E) on the front glass pane.
- Grab the glass pane at the suction cup and side and slightly tilt the top away from the appliance.
- Tilt the glass pane and move it sideways.
- Tilt the bottom of the glass pane away from the appliance and remove the glass pane.

**!Caution** Make sure you do not damage the glass pane.

### 5.12.2 Placing the glass pane

Placing the glass pane will take place in reverse order of removing the glass pane, as described above:

- !Caution**
- Avoid/remove fingerprints on the glass pane, as they will burn into the glass.
  - Do not overtighten the self-tapping screws, in order to prevent breaking and/or stripping the thread.
  - Place the glass pane with the logo in the bottom right corner.

**!Caution** Make sure the front glass pane is in full contact with the side pane (there may be no opening between the panes).  
If the front, rear and side glass panes do not connect:

- Loosen the self-tapping screws of the glass pane's front and rear clamping strips by a few turns.
- Slide the front and rear glass panes tightly against the side glass pane.

**!Caution** Make sure there is no sealing tape between the front, rear and side panes (where the panes connect).

- Tighten the self-tapping screws of the clamping strips.

## 5.13 Setting the appliance

The appliance has to be set in such a way that it works correctly in combination with the concentric system. For that purpose, a restrictor slide is placed and/or the air inlet guide is placed or removed. The conditions for application with wall terminal and roof terminal are stated in appendix 2, tables 4, 5 and 6.

This appliance is suitable for PowerVent®. For more information, please consult the PowerVent installation manual.

### 5.13.1 Restrictor slide (R)

The assembled restrictor slide (R1+R2) is supplied separately and consists of a base plate (R1) on which the adjustable plate (R2) is mounted. The correctly adjusted restrictor slide is mounted as follows (see appendix 3, fig. 8):

- Stel de afstelplaat (R2) met de juiste afstand in op de basisplaat (R1) met behulp van situaties C t/m D in Bijlage 2, Table 6. The letter of the position on the restrictor slide corresponds with the letter of the situation in table 6.
- Make sure that the point of the triangle, of the correct position, and the centre of the nut are exactly aligned.
- Unscrew the 2 pre-mounted self-tapping screws (U) from the appliance.
- Place the restrictor slide in the top of the appliance and fasten it with the two self-tapping screws.

### 5.13.2 Air inlet guide (L)

The air inlet guide assembly consists of an air inlet guide (L1) located under the vermiculite plate. The second air inlet guide (L2) is supplied separately.

When removing the air inlet guide (L1) proceed as follows (see appendix 3, fig. 9):

- Unscrew the self-tapping screws (M) from the vermiculite plate (O) and remove them from the appliance.
- Unscrew the self-tapping screws (N) of the air inlet guide (L1).
- If no air inlet guide is used: Remove the air inlet guide (L1) and screw back the self-tapping screws (N) in the appliance.
- If the air inlet guide assembly (L1 +L2) is used: Remove the air inlet guide (L1) from the appliance and place the second air inlet guide (L2) with self-tapping screws (P) on the air inlet guide (L1). Place the air inlet guide assembly (L1 + L2) back in the appliance and fasten them with the self-tapping screws.
- Place the vermiculite plate back in the appliance and fasten it with the self-tapping screws.

## 5.14 Placing the wood set

The appliance is supplied with a wood set.

**!Caution** The figures do not always show the correct colours.

**!Caution** Observe the instructions below to prevent unsafe situations:

- Only ever use the supplied wood set.
- Place the wood set exactly as described.
- Make sure the ionization and ignition electrodes and the surrounding space remain free (see appendix 3, fig. 10 and 11).
- Prevent the fine vermiculite dust from ending up on the burner.

**!Caution** Place the logs exactly as described, otherwise:

- The main burner will not ignite properly; which could result in unsafe situations.
- The appliance will become filthy more quickly, as a result of soot.
- The flame picture is affected.

### 5.14.1 Wood set

The wood set consists of a number of logs (see appendix 3, fig. 12), vermiculite (see appendix 3, fig. 13), chips (see appendix 3, fig. 14), glow material (see appendix 3, fig. 15) and ash (see appendix 3, fig. 16).

For LED appliances, an extra set of glow rocks is supplied (see appendix 3, fig. 17).

- Fill the lying burner with vermiculite; evenly spread the vermiculite (see appendix 3, fig. 18). The vermiculite should not get higher than the edge of the burner.

**!Tip** You can influence the flame picture by moving the vermiculite.

- !Caution**
- The vermiculite should not get higher than the edge of the burner.
  - The burner deck has to remain covered with vermiculite in order to prevent reduction of the burner's life span.

- Identify logs A to K (see appendix 3, fig. 12).
- !Tip
  - Use the burn stains on the logs for identification.
  - In the overview photograph, the side glass pane is located on the right side.
- Place log A over the lying burner in the positioning brackets (see appendix 3, fig. 21).
- Place log B on the left side behind log A, in the two positioning brackets and on log A.
- Place log C on the right side behind log A, in the positioning bracket and on log A, make sure there is 1 centimetre play between log C and the standing burner to the right (see appendix 3, fig. 21).
- Place log D in the positioning bracket to the right and on log C.
- Place log E against the tube of the standing burner to the right and in the positioning bracket.
- Place logs F and G in front of the lying burner, in the positioning brackets.
- Place log H against the tube of the standing burner to the left and in the positioning bracket.

LED appliances have a different type of base covering to appliances without LEDs.

- !Caution
  - The vermiculite plates are provided with square holes, which ensure air supply. Do not place more than one layer of base covering over these holes.
  - Ensure that the base covering does not enter the slot for the glass pane.

- For appliances **without LEDs**, use all chips in the wood set.
- Fill the vermiculite plates with chips, spread the chips evenly, keep the sections marked in red free of chips (see appendix 3, fig. 19).
- For appliances **with LEDs**, use the glow rocks, coals and a portion of the chips.
- Only use 400ml of the supplied grey chips and 800ml of the black chips. This is less than the total amount supplied with the appliance. Dispose of the surplus chips according to local laws.
- !Tip
  - First place the glow rocks and then the coals. Switch on the glow lighting while placing, so that the stray light can be seen directly and covered with the rocks and coals.
- Spread the glow rocks over the grid pattern and square holes in the vermiculite plate, keep the sections marked in red free (see appendix 3, fig. 20).
- Spread the chips over the remaining sections, keep the sections marked in red free.
- Place log I on the left side in front of log A, in the positioning bracket and on log A. Make sure there is 1 centimetre play between log C and the standing burner to the left (see appendix 3, fig. 24).
- Place log J over the standing burner to the left, make sure the recess falls over the burner properly (see appendix 3, fig. 25).
- Place log K over the standing burner to the right, make sure the recess falls over the burner properly.
- !Tip
  - Spread the ash over the chips and/or place the glow material over the lying burner in separate tufts (see appendix 3, fig. 18).

- !Caution
  - Prevent the ash from ending up on the burners.
  - Only place the glow material on sections that are marked green.
  - The areas around the ionization and ignition should remain free from glow material (see annex 3, fig. 18).
  - The glow material may affect the colour of the flame picture.

## 6. Control

The appliance is supplied with a wireless black remote control for the user (see appendix 3, fig. 35 (B)). As an option, an orange remote control can be supplied for the installer (see appendix 3, fig. 35 (O)). Controlling the flame height, igniting and switching off take place through the black remote control controlling the receiver. Some fires can also be controlled in an alternative way. These options are described further down in this chapter.

The user manual describes the operation of the appliance, including the operation of the remote control and alternative methods of operation.

- !Caution**
- Do not ignite the appliance before the gas, discharge and electric connections have been fully installed, first observe the procedure described in chapter 7.3.
  - Chapter 6 of the manual supplied applies to an appliance equipped with the CM system.

### 6.1 Remote controls

#### 6.1.1 Black remote control for the user

Proceed as follows to make the black remote control ready for use:

- Place the two penlite batteries (AA) in the battery holder of the remote control.
- Make sure the voltage of the atmospheric fire is not switched off for longer than 5 minutes.
- If the remote control does not have the "BND" state, the following operations must be performed: Press the menu button (button with square symbol) on the remote control for at least 10 seconds and then press a few times until "BND" appears on the screen with the receiving symbol.
- Press the "arrow up" and "arrow down" buttons briefly and simultaneously, so that a (flashing) warning triangle and an hourglass appear in the screen as well.
- As soon as logging on is finished, the start screen will appear

**!Tip** All functions are extensively explained in the supplied user manual.

#### 6.1.2 Orange remote control for the installer

By means of the optionally available orange remote control, it is possible to read all information stored in the receiver. In this way, the last 20 error messages can be retrieved, and it will also be possible to read how many times an error occurred. Moreover, this remote control can also be used to adjust the basic settings and to read the size of the ionization flow. It is also required for a wired Domotics control.

### 6.2 Alternative control (if applicable)

In addition to the remote control, it is also possible to operate the fire in alternative ways. For this purpose, a Domotics system can be connected to the receiver. This can be a wired or a wireless system. The various possibilities are described below (see appendix 3, fig. 35, 36 and 37).

#### 6.2.1 Wired

Wired connection of the Domotics system to the receiver takes place via a 0-3VDC direct current (see appendix 3, fig. 36 (D)).

**!Caution** A higher voltage than 3V will damage the receiver and is therefore not permitted.

**Tip!** In case of Domotics systems with an output voltage of 0-10V, you should switch the voltage back to 0-3VDC. Use a voltage distributor made of resistors. For example, 2200 ohms and 680 ohms. The voltage above 680 ohms resistance can be used on the input of the 0-3VDC. Low ohmic resistors must be used.

By controlling the height of the voltage, the receiver will be able to calculate the position of the fire. Table "B1" in appendix 3, fig. 37 shows the relationship between the voltage and the height of the flame. If you have an appliance with 2 burners, table "B2" will apply. It shows the relationship between the voltage, the height of the flame and the number of burners.

Proceed as follows when connecting the Domotics system to the receiver:

- Connect the 0-3VDC signal to the connector, to which a black and yellow wire are connected (see appendix 3, fig. 36 (D)).
- Use the orange remote control to select the option for a wired connection: go to position 8 in the first menu and select an appliance with single burner (option 2) or an appliance with two burners (option 3). For this, read the manual of the orange remote control.

**!Caution** The yellow wire is the + pole, the black wire is the - pole. Always connect '- to -' and '+ to +'.

### 6.2.2 Wireless

The wireless connection is divided into 2 types:

- Connection via a 'modbus' protocol.
- Control via an application.

**!Caution** Only 1 type of wireless connection is possible on the communication module.

#### 6.2.2.1 Connection via 'modbus' protocol

Wireless connection of a Domotics system to the receiver is possible via a connection according to the 'modbus' protocol. Such a connection can only be established with a communication module (see Appendix 3, fig. 35 (W)). This module can be ordered from DRU. This communication module translates the 'modbus' protocol from the Domotics system into a wireless signal to the receiver.

When connecting a Domotics system via the communication module to the receiver, proceed as follows:

- Use the remote control to test whether the location where the communication module will be placed is within the reach of the receiver.
- Place the remote control on this location and test the reception sensitivity (RSSI).
- Press the on/off button and down arrow at the same time. The value that is now visible, must be between -20 and -70 (see User Manual, "Reception Sensitivity"). If needed, hold the remote control closer to the appliance in order to improve the reception.
- Connect the communication module by means of an RJ45 plug, according to the instructions in the manual that is supplied with this module.
- Now follow the steps described in the 'modbus' protocol manual. It is available from the supplier of the domotics system.

#### 6.2.2.2 Control via application

Also when operating the appliance via a tablet provided with the DRU Control App (iOS or Android), you will need a communication module. This module can be ordered from DRU.

In order to control the fire via an application, proceed as follows:

- Using the remote control, test whether the location where you want to place the communication module is within the receiver's range.
- Place the remote control on this location and test the reception sensitivity (RSSI).
- Press the on/off button and down arrow at the same time. The value that is now visible, must be between -20 and -70 (see User Manual, "Reception Sensitivity"). If needed, hold the remote control closer to the appliance in order to improve the reception.
- Connect the communication module by means of an RJ45 plug, according to the instructions in the manual that is supplied with the communication module.
- Use the instructions for the application in order to install it.

**!Caution**

- The DRU Control app functions in accordance with the multicast and communication protocol. Ensure the router is equipped with this. For this, consult the router's installation manual.
- If the DRU Control app is used, the thermostat function no longer applies.

The application 'DRU Control' is available in the AppStore, at GooglePlay or our website: [www.drufire.com](http://www.drufire.com).

## 7. Final inspection

In order to check whether the appliance is working properly and safely, you must perform the following inspections before the appliance is put into operation.

### 7.1 Gastightness

**!Caution** All connections must be gastight. Check the connections for gastightness. The gas control may be subjected to a maximum pressure of 50 mbar.

### 7.2 Gas pressure/line-pressure

The burner pressure is set at the factory; see data plate.

**!Caution** The line-pressure in house installations must be checked, because it can be wrong.

- Check the line-pressure; see Appendix 3, Fig 38 (P1) for the measuring nipple on the gas control.
  - Contact the gas company if the line-pressure is too high.
  - If the line-pressure is too low, check this at the gas meter. Contact the gas company if the line-pressure is also too low at the gas meter.

### 7.3 Ignition main burner

For igniting the main burner, see the User Manual.

#### 7.3.1 First ignition of the appliance after installation or adjustments.

**!Caution** After installation, or after work has been performed, you should ignite the appliance for the first time without the glass window. If necessary, bleed the gas pipe.

Follow the procedure described below:

- If necessary, remove the glass pane.
- Start the ignition procedure as described in the user manual.
- If the main burner does not ignite:
  - Reset the system by pressing the buttons 'arrow up' and 'arrow down' simultaneously.
  - Repeat the ignition procedure until the main burner ignites;

**!Caution** After each attempt to ignite, the system should be reset by means of the remote control.

- Consult the diagram with error messages (Appendix 1) if this does not succeed after a few attempts;

The appliance ignites at 50%. After ionization has been detected, the appliance will modulate to 100%.

This detection will have to take place within 15 seconds, or else the appliance will enter error mode.

If applicable, the second valve will switch to ignite the second burner. Here, you can hear a clear 'click' sound.

- Check whether the main burner continues to burn.
- If the main burner does not continue to burn:  
Reset the system as described and repeat the ignition procedure until the main burner continuous to burn.

**!Caution** The system can be reset and re-ignited two times in a row at maximum. Then the system will enter a hard lock-out and you will have to wait half an hour, before you can make a new attempt. Never use more than 3 attempts to ignite the appliance, as this could lead to an accumulation of gas within the appliance. Make sure that there is no more gas in the appliance before making 3 new ignition attempts.

- Consult the malfunction search diagram (Appendix 1) if this does not happen after a few attempts.
- Switch off the appliance.
- Clean the glass pane before using it for the first time, as described in the user manual.
- Then mount the glass pane as described in section 5.10.
- Repeat the ignition procedure a few times and perform the checks described in chapter 7.3.2.
- From now on, the main burner should ignite smoothly.
- Clean the glass pane after burning for the first time, as described in the user manual.

**!Tip** When checking whether the main burner continuous to burn, it is possible that it switches off after 15 seconds. In that case, this will be caused by the fact that there is no ionization detection and because the glass window has not been placed. This can be regarded as a situation where the main burner continues to burn.

- !Caution**
- Always wait 5 minutes before re-igniting the appliance.
  - No changes may be made to the gas control.

### 7.3.2 Main burner

- !Caution**
- The ignition electrode should ignite the main burner within a couple of seconds and without popping.
  - The main burner(s) must cross the full burner smoothly and without popping and continue to burn.
  - If the appliance does not ignite after two restarts and enters hard lockout, it may never be reset by disconnecting it from the power supply. If a restart is necessary after all: remove the glass pane and make sure the gas is able to escape from the appliance. After this, the appliance may be disconnected from the power supply for 10 seconds. After these 10 sec., the power supply may be reconnected. Ignite the appliance in the same way as the first ignition, as indicated in section 7.3.1.

- Check operation of the main burner from a cold condition.
- If sparks are determined between the ignition electrodes, the main burner should burn within a few seconds.

**!Tip** The flame picture and a good flame transfer can only be properly judged if the glass window is installed.

Use the malfunction search diagram (Appendix 1) if the ignition of the main burner does not comply with the above-mentioned requirements.

### 7.4 Flame picture

The flame picture can only really be assessed when the appliance has been burning for several hours. Volatile components from paint, materials, etc., which evaporate in the first hours, will affect the flame picture.

- Check whether the flame picture is acceptable.
- Consult the malfunction search diagram (Appendix 1) if the flame picture is not acceptable, in order to solve the problem.

## 8. Maintenance

Once per year, the appliance must be checked, cleaned and, if necessary, repaired by a competent installer in the field of gas heating and electricity. Check at least whether the appliance is working properly and safely.

- !Caution**
- Close the gas tap when performing maintenance work.
  - Check the gastightness after repair.
  - Make sure there is no voltage on the appliance.
  - **SS-absolutely** do not clean the concentric system (internally) with a steel brush or metal sponge, for example. This will damage the oxide skin and could lead to leaks in the system as a result of pitting corrosion.

- Clean glass pane(s), if necessary.

**!Caution** Only clean a glass pane once it has reached room temperature.

- Caution!**
- Avoid damage to the glass pane(s).
  - Avoid/remove fingerprints on the glass pane(s), as they will burn into the glass.
  - Clean the pane(s) as described in the user manual.
  - Regularly remove accumulated dirt, as it can burn into the glass.
  - Do not use the appliance when a pane is broken and/or cracked, until it has been replaced as described from section 5.10.

**!Caution** If necessary, place back the wood or pebble set correctly; for this, see from section 5.10.

- Inspect the flue gas discharge system.

**!Caution** You must always perform a final inspection.

- Perform the inspection as described in chapter 7.

### 8.1 Parts

Components that have to be replaced are available at the supplier.

## 9. Delivery

You must explain to the user how to operate the appliance. You must give him/her instructions on putting it into operation, the safety measures, the operation of the remote control and the annual maintenance (see the User Manual).


- !Caution
  - Tell the user to close the gas tap immediately in case of malfunctions/bad performances and contact the installer in order to prevent dangerous situations.
  - Chapter 9 of the manual supplied applies to an appliance equipped with the CM system.
  - Indicate the location of the gas tap.
  - Point out the precautions in the user manual against unintended ignition by other wireless remote controls such as car keys and garage door openers.
  - Point out the 230 Volt connection.
- Instruct the user about the appliance and the remote control.
- When the appliance is taken into operation, point out that
  - In order to avoid cracks in a chimney breast made of stone-like materials or finished with plaster, it should dry for at least 6 weeks prior to putting the appliance into operation.
  - When the appliance is stoked up for the first time, volatile components evaporate from paint, materials, etc.. (Also first read chapter 3 of the user manual !).
  - When evaporating, the appliance should preferably be set at the highest level.
  - The room should be well ventilated.
  - Cleaning the glass pane(s).
- Give the manuals to the user (all manuals should be stored near the appliance).

## 10. Malfunctions

Appendix 1 provides an overview of malfunctions that might occur, their possible causes and remedies.



## Appendix 1 Malfunctions

Error messages			
Error code	Problem	Possible cause	Remedy
F01	Communication loss between receiver and burner device	Communication cable does not make contact	Make sure the connectors of the communication cable make proper contact
		Communication cable defective	Replace communication cable
F02	Receiver overheated (60° above room temperature)	Poor ventilation at receiver	Improve ventilation at receiver
		Receiver makes contact with hot parts	Move receiver in such a way that there is no more contact with hot parts
F03	Internal (receiver) NTC sensor does not work correctly	Receiver is defective	Replace the receiver
F05	Internal safety error	Receiver is defective	Replace receiver
F06	Communication loss between transmitter and receiver	Transmitter is out of the receiver's range	Make sure the transmitter is near the receiver
		Obstacles between transmitter and receiver may interfere with the signal	Remove possible obstacles between transmitter and receiver
		Transmission power is too weak	Check transmission power (see User Manual chapter 10)
	Safety error transmitter	Communication loss too long (F06)	Register transmitter again
F08	No ionization	No sparks	Make sure distance between electrodes is 3-4 mm
			Replace spark electrodes
		No gas	Check whether there is gas
			When using PowerVent®, check whether the gas valve opens
		Poor flame transfer main burner	Check position blocks/chips
			If necessary, remove dust from burner openings
		No good flame under ionization pin (suffocating flame)	Glass pane strips not placed correctly
			Check restriction and air inlet guide setting
			When using PowerVent®, check pressure setting
		Ionization pin placed incorrectly	Place it on the right location
		Ionization pin blocked (measure ionization flow when > 0 and < 1.8 uA)	Remove any vermiculite or chips from the burner
		Ionization pin defective (measure ionization current when 0)	Replace the ionization pin

## Error messages

Error code	Problem	Possible cause	Remedy
F12	ESYS is not released	ESYS is in hard-lock	Wait half hour until ESYS resets itself
F13/F14	( no ionisation <0.8 $\mu$ A) Flame loss when only the main burner (F13) is on or both burners (F14) are on	Ionisation pin short-circuited	Remove chips, vermiculite or glow material lying against the ionisation pin
		Ionisation current too critical (0.8 $\leq$ ionisation < 1.8 $\mu$ A)	Increase ionisation current to $\geq$ 1.8 $\mu$ A by rearranging vermiculite and removing chips and dust from the burner openings
		Suffocation due to poor flue gas channel	Check the concentric system
			Check the setting of the appliance
		Suffocation when using PowerVent®	Check the pressure setting of the PowerVent® system
		24 hour check control (only in case of F13)	Reset with remote control (consult Powervent® manual)
		Gas has fallen away	Check gas supply
		Gas control defective (see "A" in app. 3, fig. 38)	Replace the gas control
F15	No burner device (see "C" in appendix 3, fig. 38)	Burner device came loose from burner device	Attach the burner device
		Burner device incorrectly mounted	Mount the burner device correctly
		Pins on the connector on the gas control are bent	Bend them straight
	High limit error	High limit bridge defective	Check High limit bridge ESYS
F15 (PowerVent®)	Fan doesn't start, appliance doesn't spark	Fan defective	Replace fan
	Fan starts, appliance doesn't spark	Diff. pressure hoses leak	Check connections and hoses Replace/repair
		Diff. pr. sensor defective	Replace diff. pr. sensor
		Ctrl signal cable defective	Replace control cable
		Concentric system defective and/or leaking	Check concentric system for leaks and defects Repair/replace
F16	Hardware Error ESYS	ESYS defective (burner device)	Replace ESYS (burner device)
F17	3 subsequent, unsuccessful ignition cycles	Premature interruption ignition cycle, also see F08	After 30 min. F17 can be reset w. mains voltage on appliance, see F08

**Appendix 2 Tables**

Table 1: Parts included with the delivery	
Part	Number
Installation manual	1x
User manual	1x
Wood set	1x
Glow material	1x
Restrictor slide	1x
Remote control	1x
Mains lead	1x
Control hatch	1x
Back-up self-tapping screws for benefit of glass pane assembly	nx
Key bolts	2x
Hexagonal nut M8	2x
Washer M8	2x
Compression fitting 15 mm x G3/8"	1x
Socket spanner 8 mm	1x
Suction cup	1x

Table 2: Technical data

Table 2: Technical data						
Model identifier(s)	Metro 75XTU RCH					
Type of appliance	Built-in					
Combustion	Closed combustion					
Type	C11, C31, C91, C12, C32*****					
Categorie	I <sub>2EK</sub> , I <sub>2EL</sub> , I <sub>2H</sub> , I <sub>2E+</sub> , I <sub>2E</sub> , II <sub>2L3B/P</sub> , II <sub>2H3+</sub> , II <sub>2H3B/P</sub> , II <sub>2E+3+</sub> , II <sub>2E3B/P</sub>					
Concentric appliance connection	200/130					
Applicable concentric systems	DRU LAS ES-I 200/130, DRU LAS ES-E 200/150/100, DRU LAS ES-I 150/100, DRU LAS AG-I 150/100, DRU PV-I 100/60					
Flame protection version	Separated ignition / ionization plugs					
Atmosphere safety	No					
Explosion hatch	Yes					
Ventilation hole chimney breast	200 cm <sup>2</sup>					
<b>Gastype:</b>	<b>Symbol</b>	<b>G25/G25.3*</b>	<b>G20</b>	<b>G30</b>	<b>G31</b>	<b>Unit</b>
Indirect heating functionality		No	No	No	No	
Direct heat output		8,4	8,8	11,1	9,5	kW
Indirect heat output		-	-	-	-	kW
Space heating emissions NO <sub>x</sub>		83,4	92,8	61,7	51,5	mg/kWh <sub>input</sub> (GCV)
<b>Heat output</b>						
Nominal heat output	P <sub>nom</sub>	8,4	8,8	11,1	9,5	kW
Minimum heat output (indicative)	P <sub>min</sub>	1,2	1,2	2,2	1,9	kW
<b>Technical data</b>						
Nominal heat input (Hs)		11,9	12,4	14,4	12,5	kW
Nominal heat input (Hi)		10,7	11,2	13,3	11,5	kW
Consumption max		1290	1191	409	467	L/h
Consumption min		223	240	87	100	L/h
Burner pressure max		17,5	13,9	27,2	27,3	mbar
Burner pressure min		4,3	4,4	8,9	9,0	mbar
Main burner injector		2x ø1,62 1x ø1,70	2x ø1,62 1x ø1,70	2x Ø1,10 1x Ø1,15	2x Ø1,10 1x Ø1,15	mm
Low setting injector		A****	A****	A****	A****	mm
Efficiency class (EN613)		1	1	1	1	
<b>Useful efficiency (NCV)**</b>						
Useful efficiency at nominal heat output	η <sub>th,nom</sub>	93,3	93,3	94,3	93,6	%
Useful efficiency at minimum heat output (indicative)	η <sub>th,min</sub>	84,1	84,2	92,2	92,1	%
<b>Auxiliary electricity consumption</b>						
At nominal heat output	e <sub>l,max</sub>	0,0236	0,0236	0,0236	0,0236	kW
At minimum heat output	e <sub>l,min</sub>	0,0125	0,0125	0,0125	0,0125	kW
In standby mode	e <sub>l,SB</sub>	0,0026	0,0026	0,0026	0,0026	kW
<b>Permanent pilot flame power requirement</b>						
Pilot flame power requirement (if applicable)	P <sub>pilot</sub>	-	-	-	-	kW
<b>Energy efficiency</b>						
Energy efficiency index	EEl	93	93	94	93	
Energy efficiency class		A	A	A	A	
<b>Type of heat output / room temperature control</b>						
Single stage heat output, no room temperature control						No
Two or more manual stages, no room temperature control						No
With mechanic thermostat room temperature control						No
With electronic room temperature control						Yes
With electronic room temperature control plus day timer						Yes
With electronic room temperature control plus week timer						Yes
<b>Other control options</b>						
Room temperature control, with presence detection						Yes***
Room temperature control, with open window detection						Yes***
With distance controle option						Yes

\* This appliance is suitable for G25.3 with the composition according NTA 8837.

\*\* System efficiency.

\*\*\* To be used by means of home automation.

\*\*\*\* Adjusting screw.

\*\*\*\*\*Categories C12 and C32 only in combination with DRU PV-1 100/60 (PowerVent®).

Table 3: Line-pressure when using G31				
Country	mbar			
NL / DK / FI / NO / SE / HU / BA / GR	30			
FR / BE / IT / PT / ES / GB / IE	37			
DE	50			

**Permissibility and conditions concentric system with wall terminal**

Table 4: Conditions for setting the appliance					
G20/G25/G25.3/G30/G31					
Total number of meters of meters vertical pipe length	Total number of meters horizontal pipe length (excluding wall terminal)	See Figure	Air inlet guide	Restrictor slide	
<sup>1)</sup> 0.8 - 4	0	5a	YES (L1)*	NO*	
<sup>1)</sup> 0.8 - 4	> 0 - 8	5a	NO	NO	
<sup>1)</sup> 0.5 - 0,8	0 - 3	5b	NO	NO	
<sup>1) 2)</sup> 0	0	5c	NO	NO	
<sup>3)</sup> 0.8 - 4	0 - 1	5d	NO	NO	

\* Factory settings: Air inlet guide (L1) mounted and no restrictor slide placed.

- !Caution**
- <sup>1)</sup> Only use 200/130 mm concentric system, including the 200/130 mm wall terminal.
  - <sup>2)</sup> In the case of this configuration, an unpainted stainless steel wall terminal must be used.
  - <sup>3)</sup> Use the 200/130 mm vertical length concentric system including bend, reduce concentric system **immediately after the bend** to 150/100 mm including 150/100 mm wall terminal (maximum 1 metre horizontal).

**Table 5: Determining permissibility concentric system with roof terminal**

G20/G25/G25.3 G30/G31	Total number of meters horiz. pipe length	Total no. of meters vertical and/or sloping pipe length											
		1 <sup>1)</sup>	2	3	4	5	6	7	8	9	10	11	12
no bends	0	B	B	C	C	C	C	D	D	D	D	D	D
2 bends	0	A	A	B	B	C	C	C	C	D	D	D	D
	1	A	A	A	B	B	C	C	C	C	D	D	
	2	A	A	A	A	B	B	B	C	C	C		
	3	A	A	A	A	A	B	B	B	C			
	4	A	A	A	A	A	A	B	B				
	5	A	A	A	A	A	A	A					
3 bends	0	A	A	A	B	B	C	C	C	C	D	D	D
	1	A	A	A	A	B	B	C	C	C	C	D	
	2	A	A	A	A	A	B	B	C	C	C		
	3	A	A	A	A	A	A	B	B	C			
	4	A	A	A	A	A	A	A	B				
	5		A	A	A	A	A	A					
4 bends	0	A	A	A	A	B	B	C	C	C	C	D	D
	1	A	A	A	A	A	B	B	C	C	C	C	
	2	A	A	A	A	A	A	B	B	C	C		
	3	A	A	A	A	A	A	A	B	B			
	4		A	A	A	A	A	A	A				
	5			A	A	A	A	A					
5 bends	-												

■ = Situation is not permissible

<sup>1)</sup> minimum length

**Table 6: Conditions for the adjustment of the appliance with a roof terminal**

G20/G25/G25.3/G30/G31			
Situation	Air inlet guide	Restrictor slide	
A	L1*	NO*	
B	L1	R1	
C	L1	R1+R2	
D	L1+L2	R1+R2	

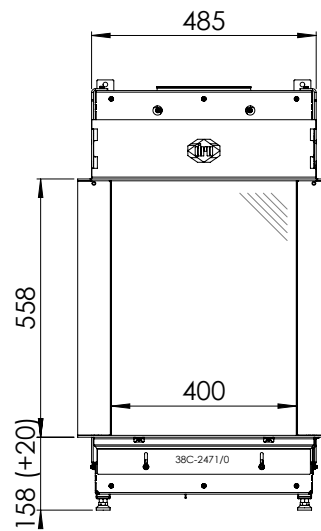
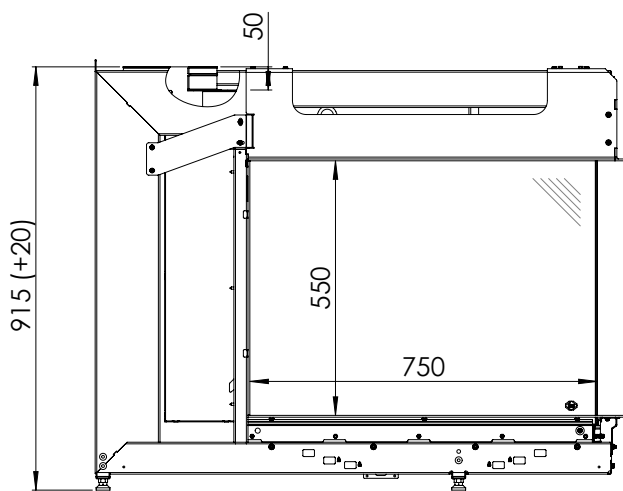
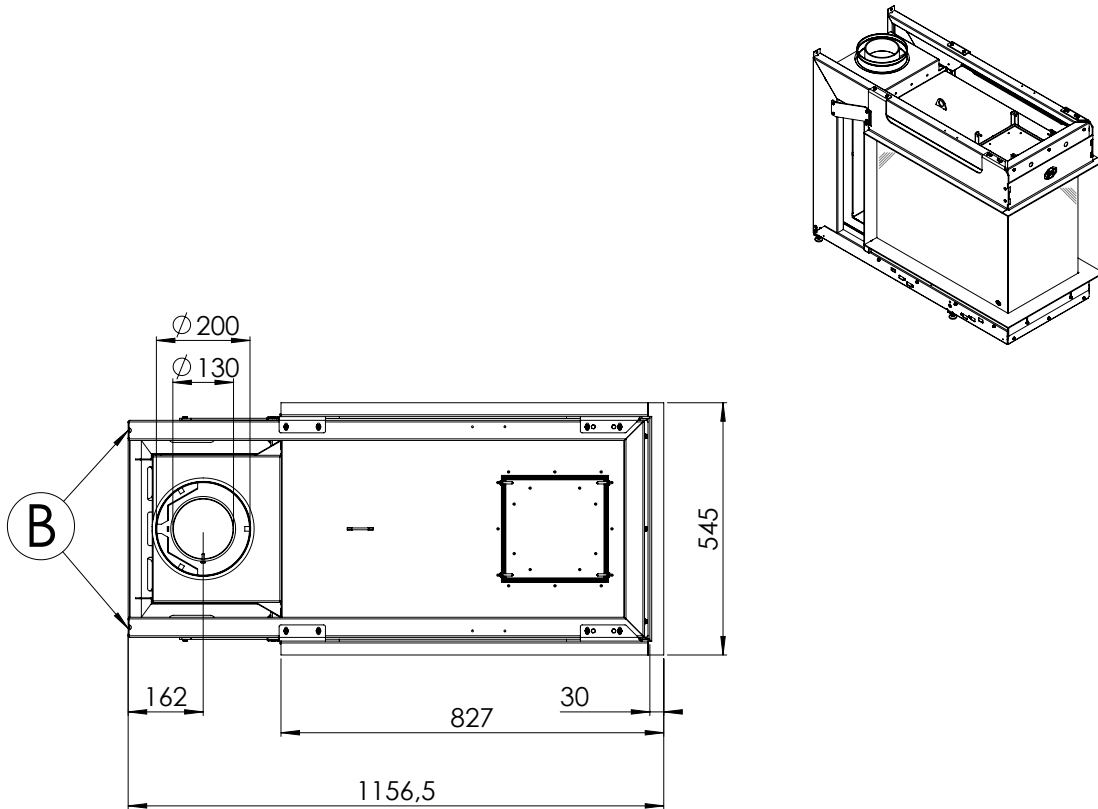
\* Factory settings: Air inlet guide (L1) mounted and no restrictor slide placed.

**!Caution** In case of a roof terminal **without bends**, first connect 0.8 metres of concentric system vertically on the appliance with a diameter of 200/130 mm. After the first metre, reduce the concentric system to a 150/100 mm diameter, including a 150/100 mm roof terminal.

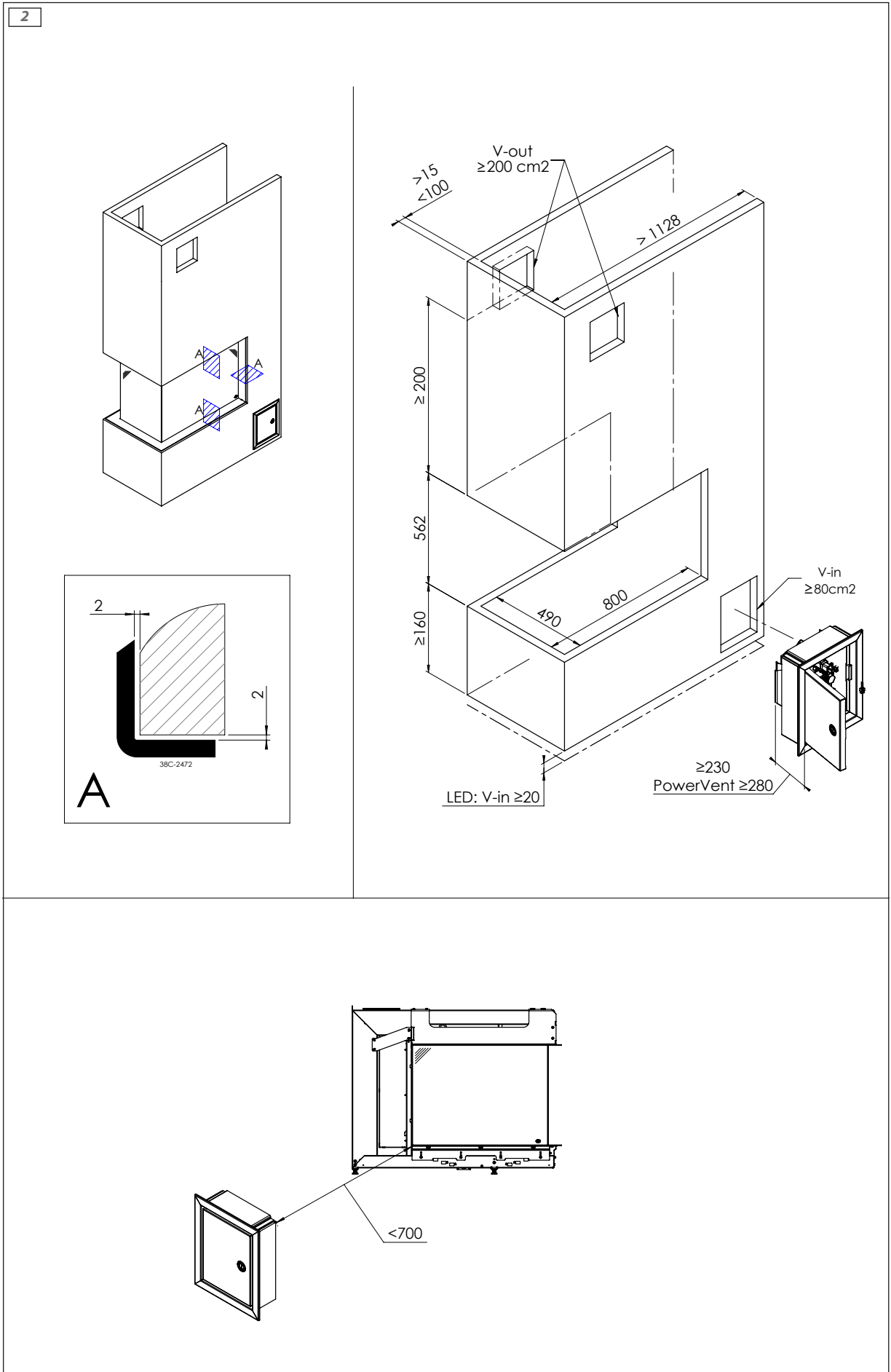
**!Caution** In case of a roof terminal **with bends**, first connect 0.8 metres of concentric system vertically on the appliance with a diameter of 200/130 mm. Make the concentric system with a 200/130 mm diameter, and reduce the concentric system immediately after the last bend to 150/100 mm, including 150/100 mm roof terminal.

Appendix 3 Figures

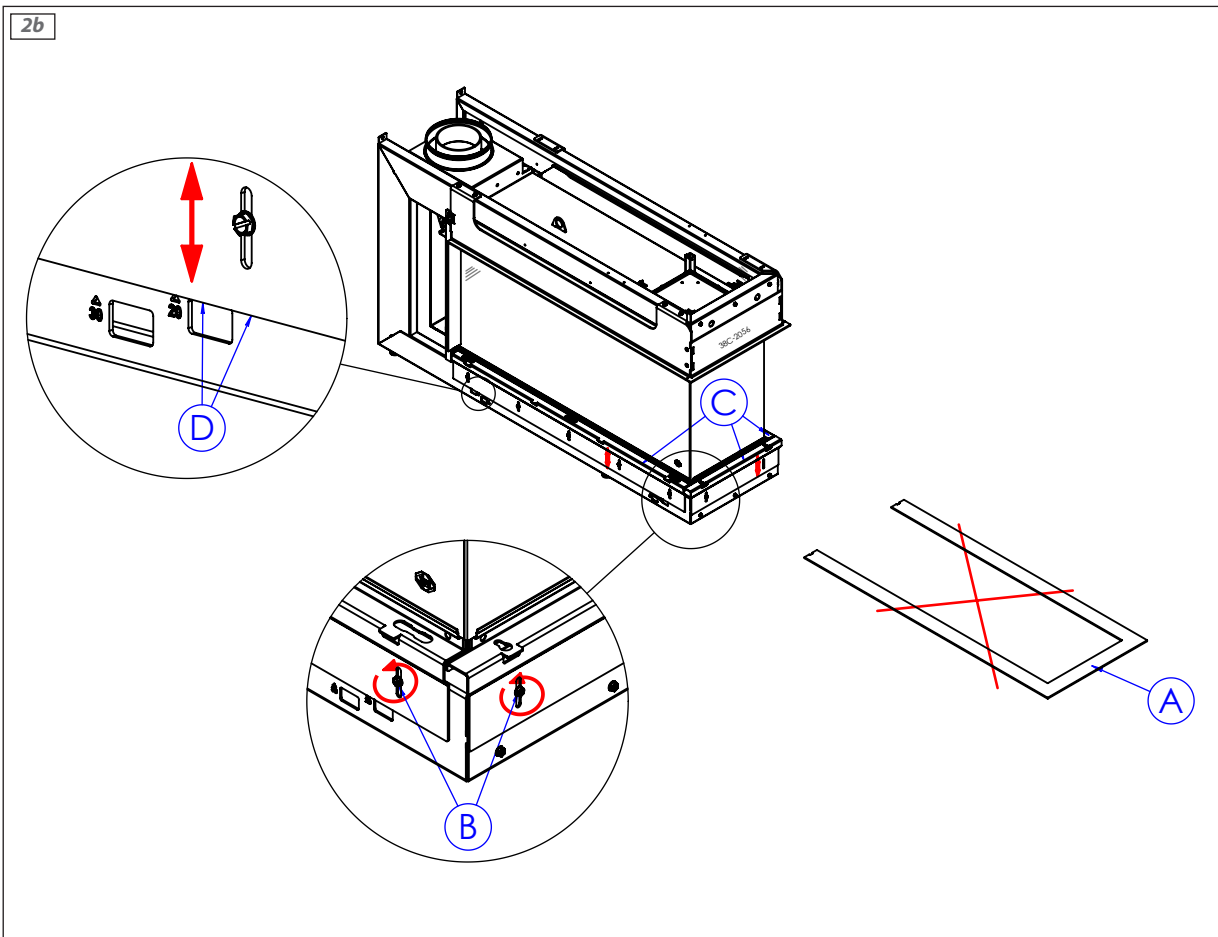
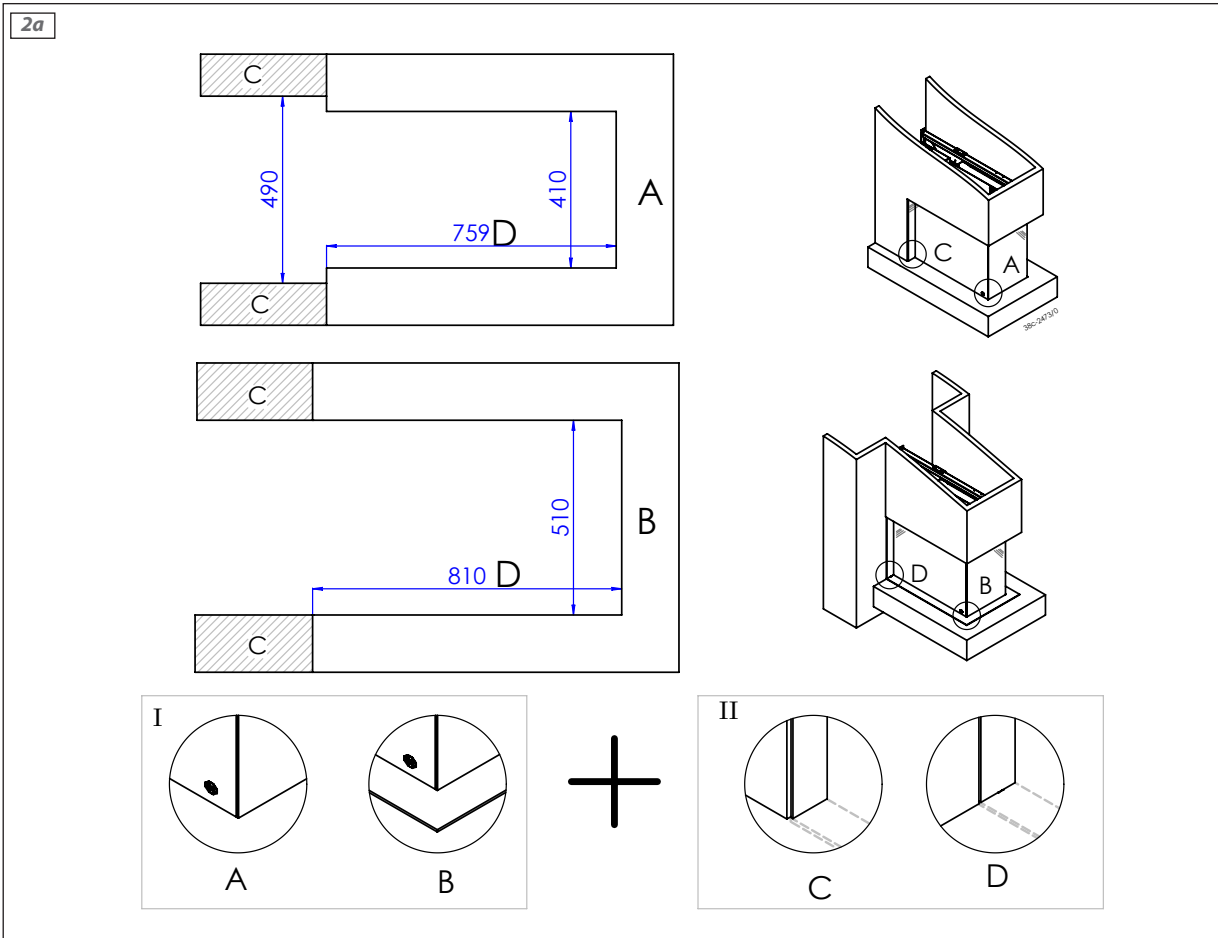
7

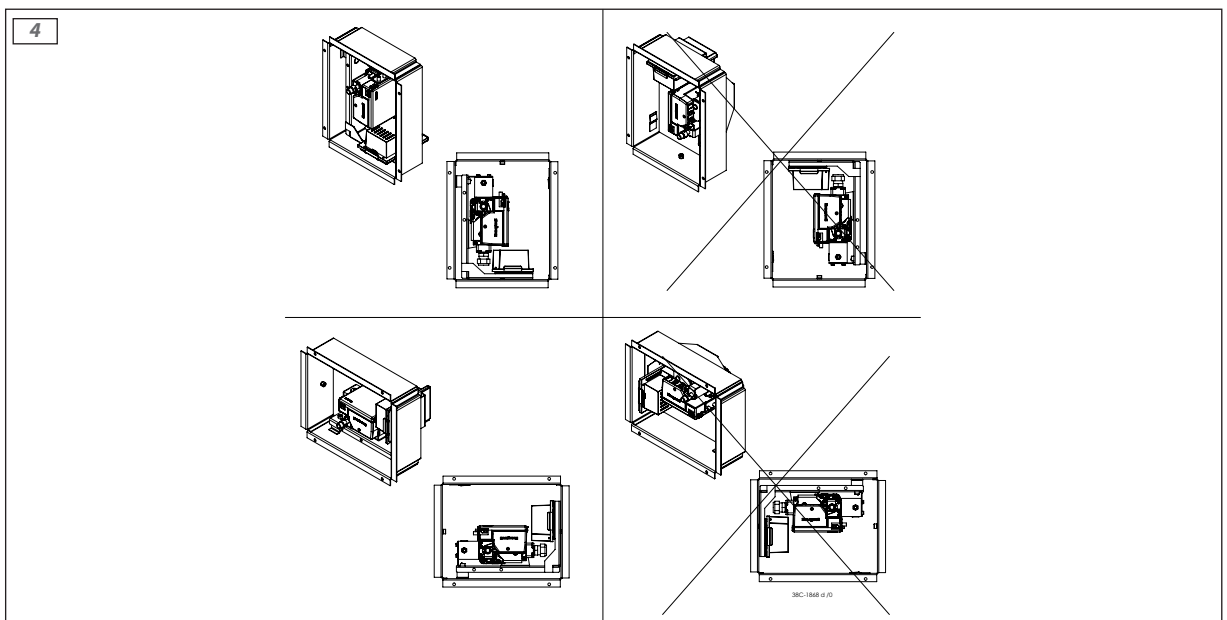
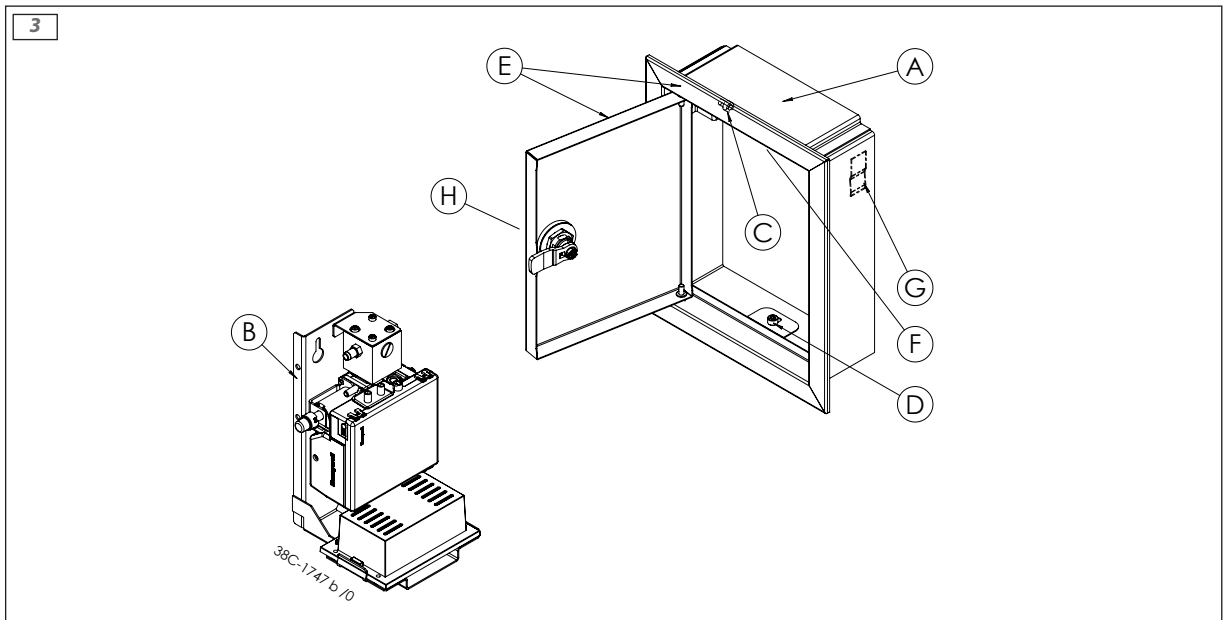
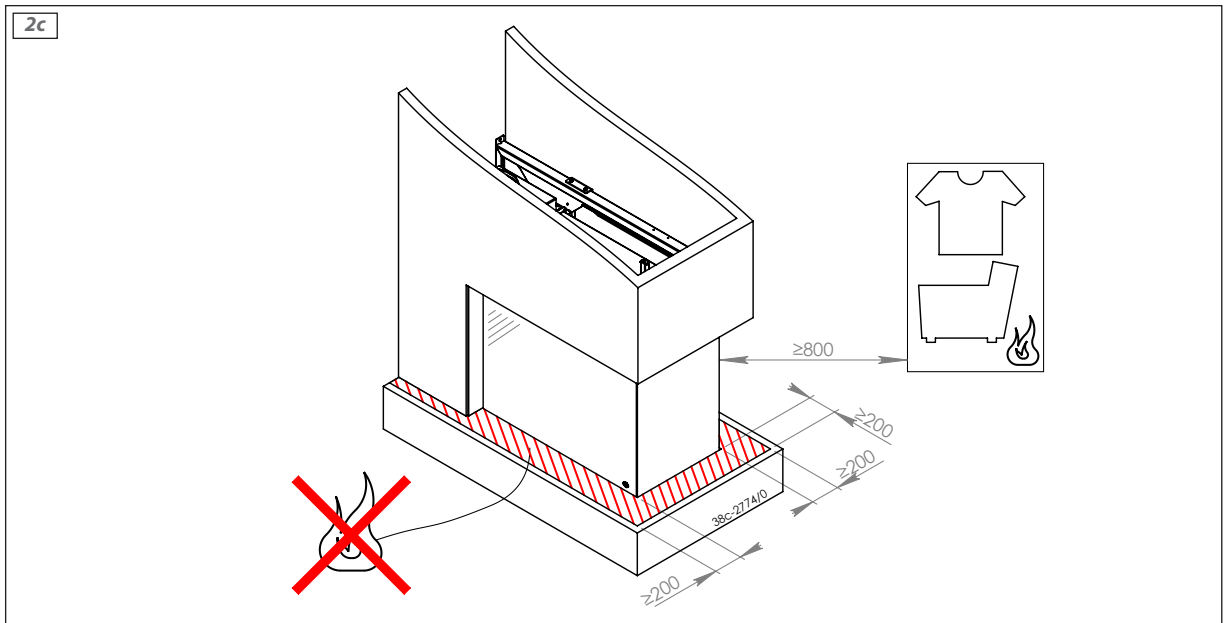


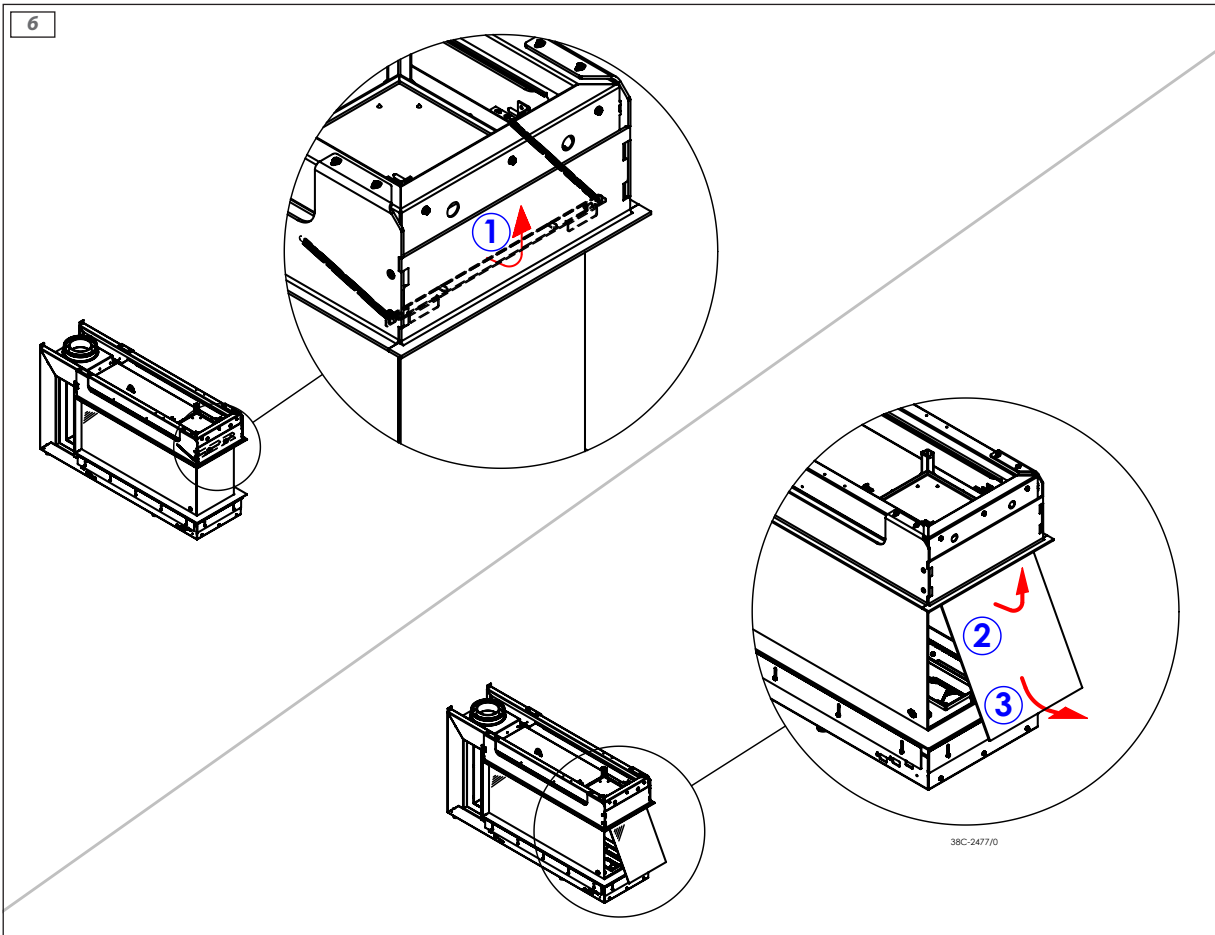
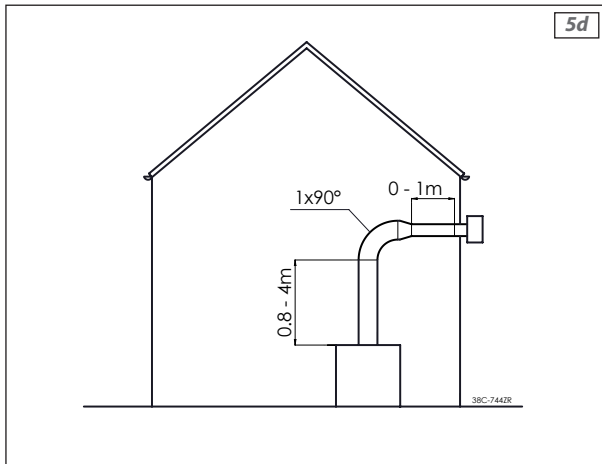
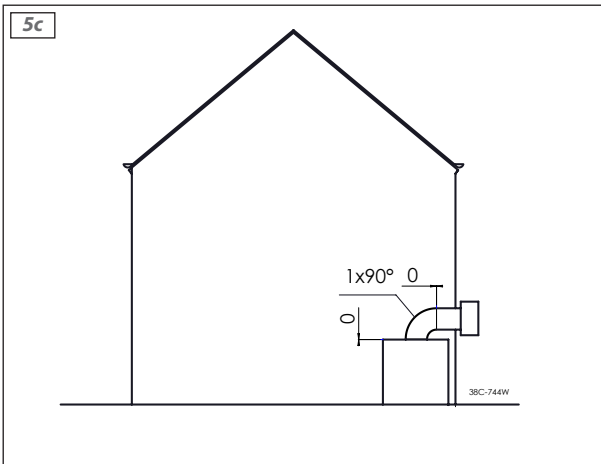
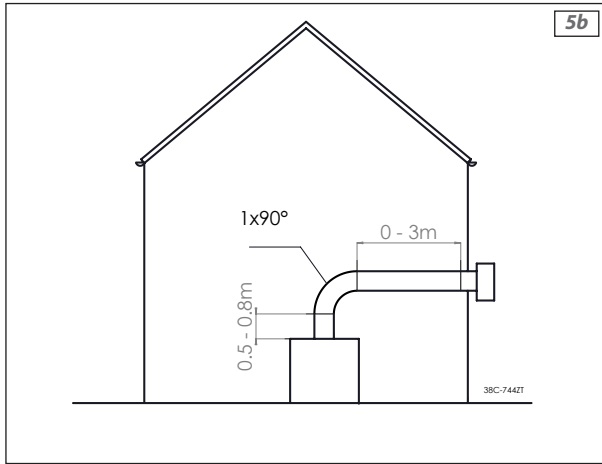
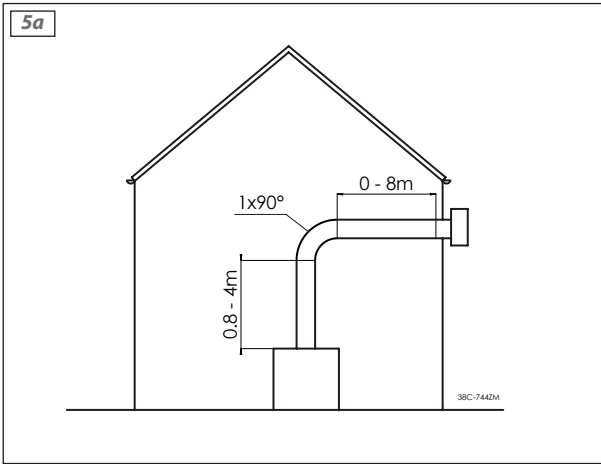
Maestro 75 XTU RCH

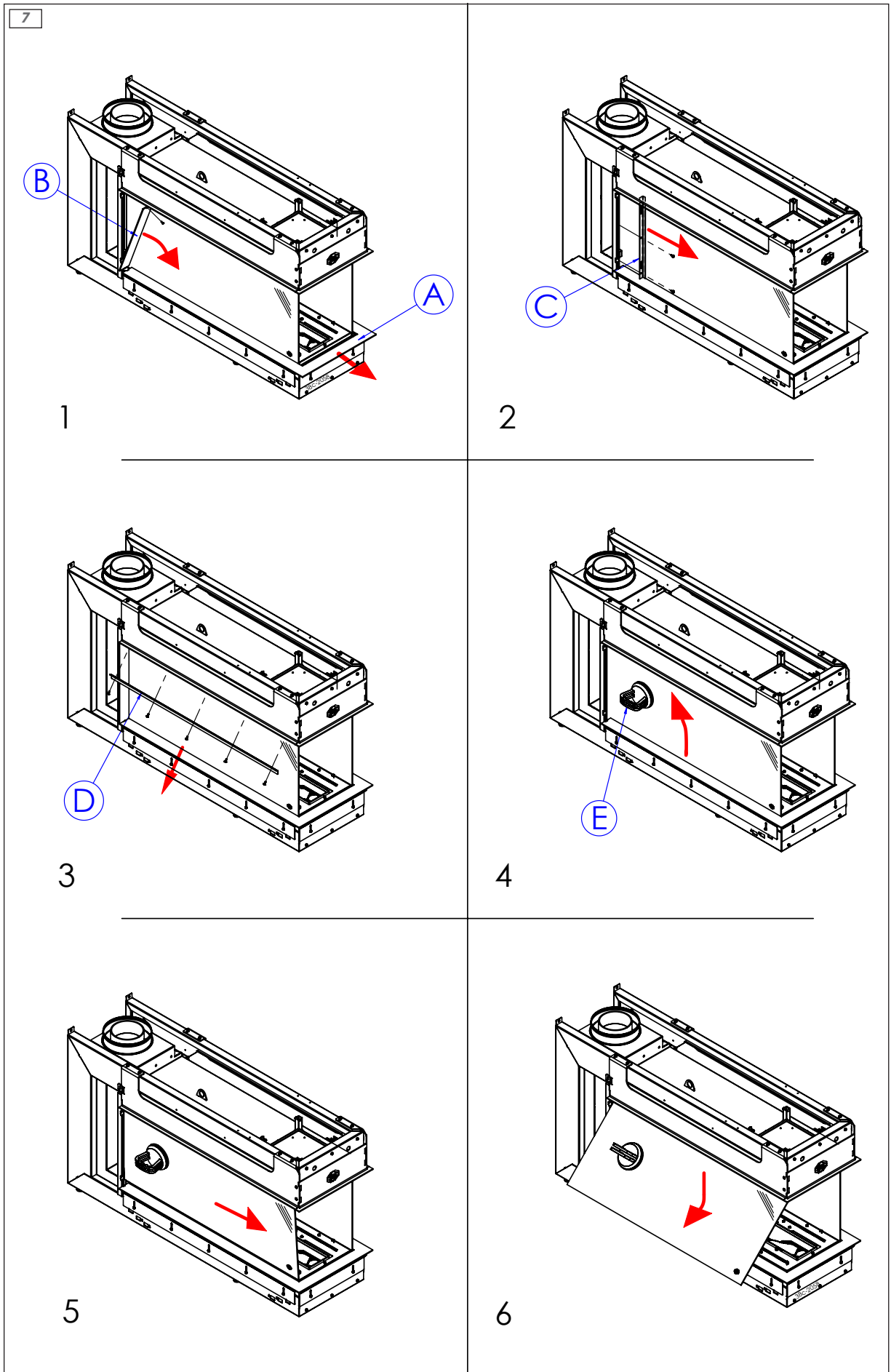


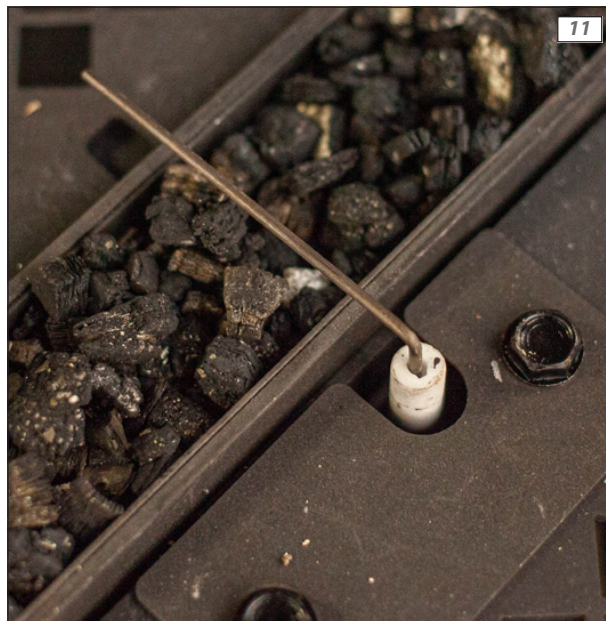
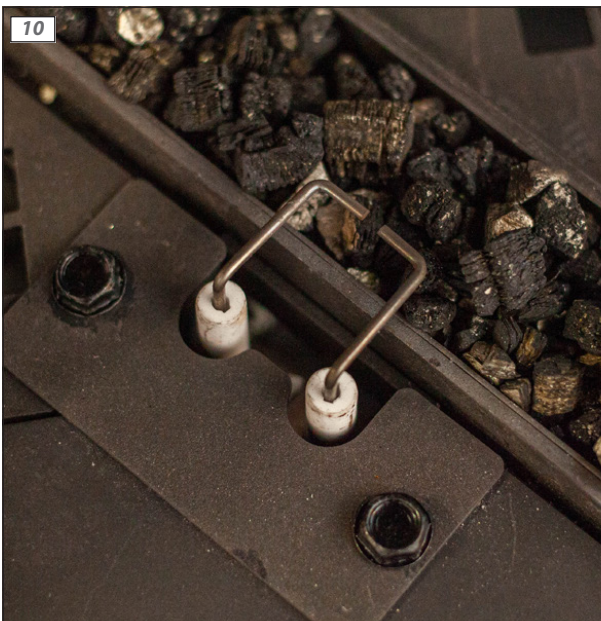
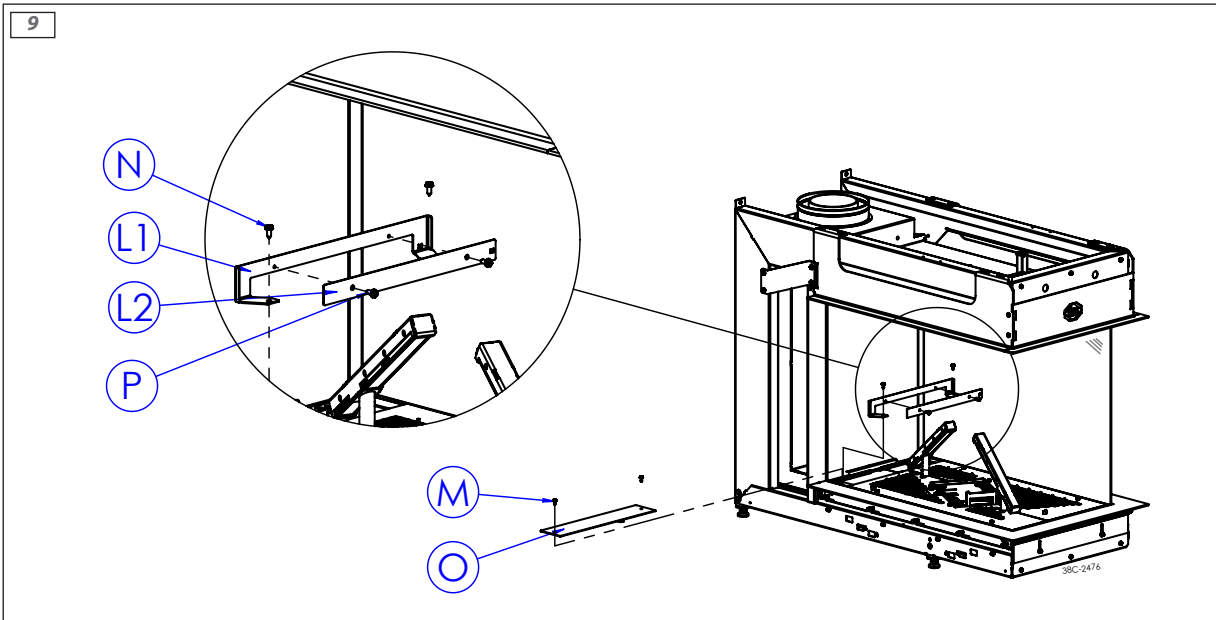
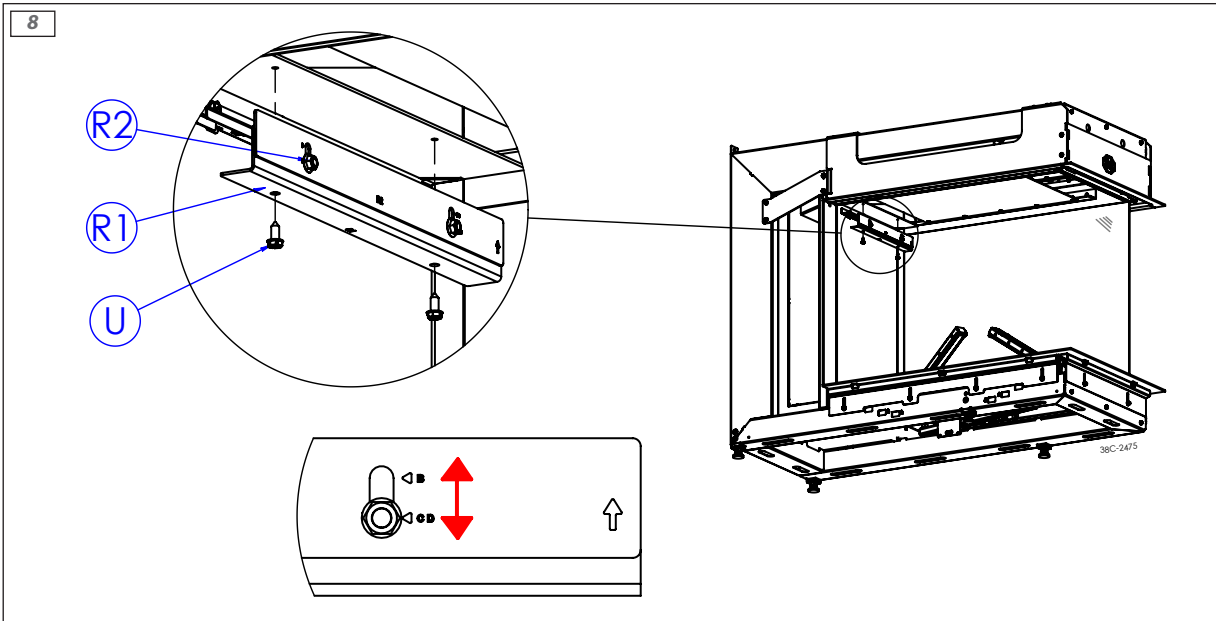






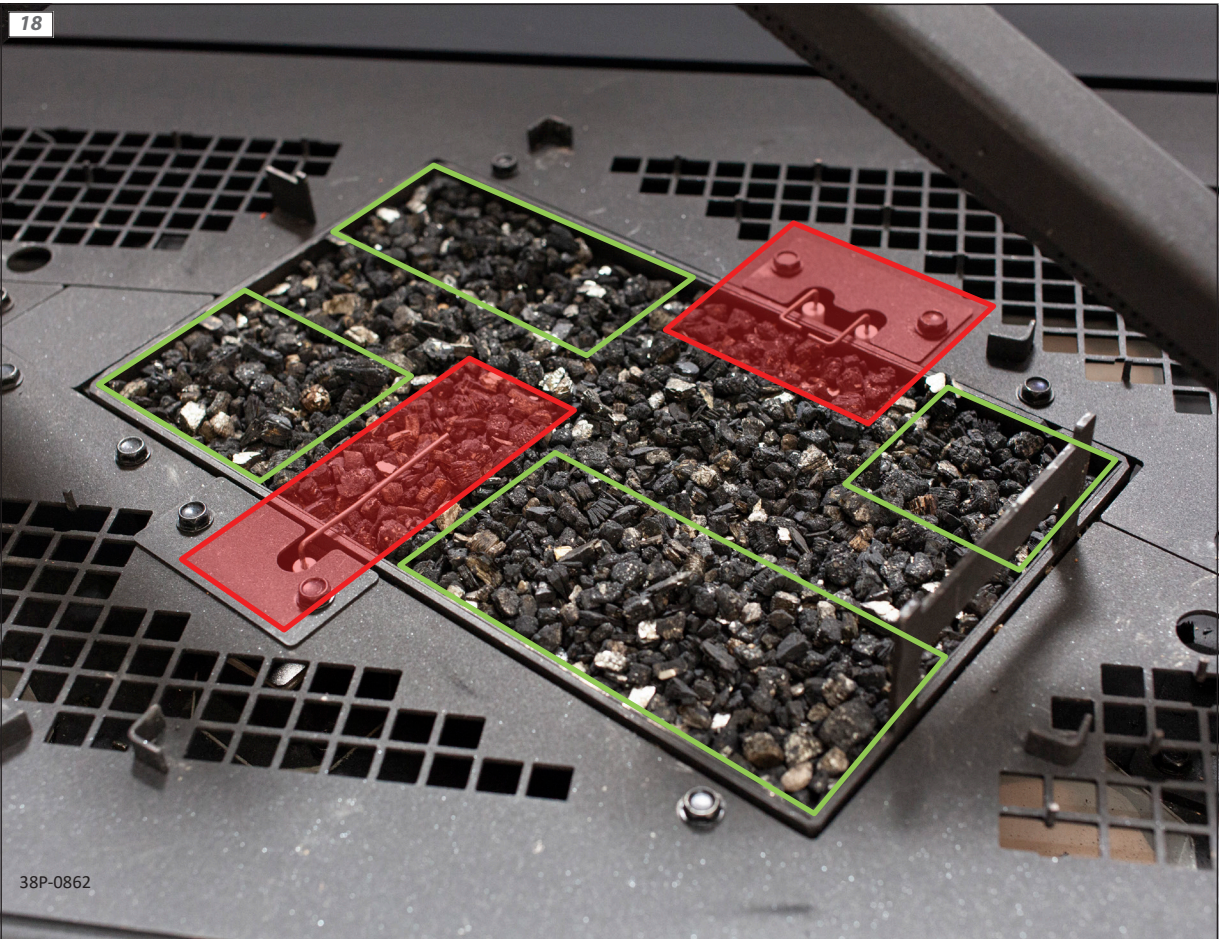








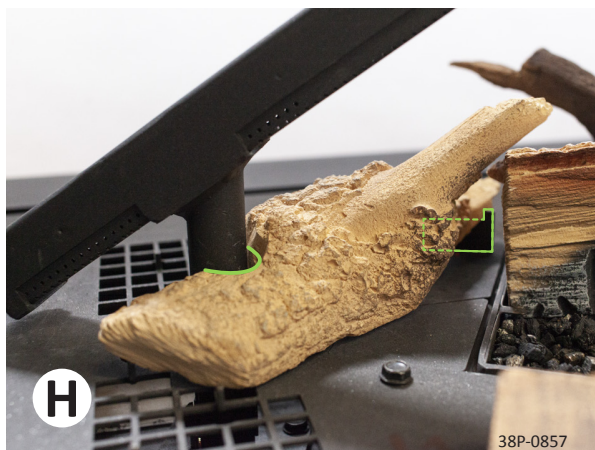
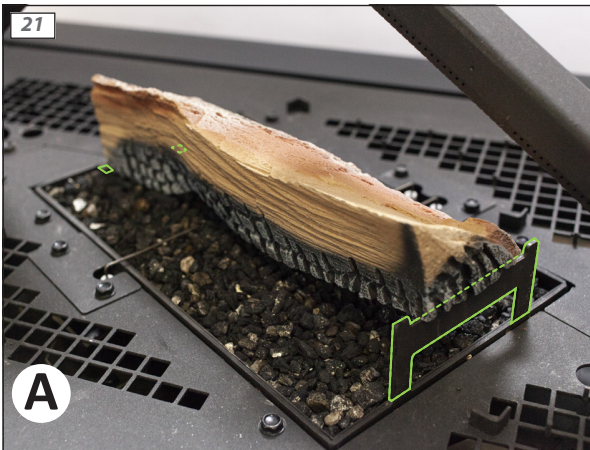








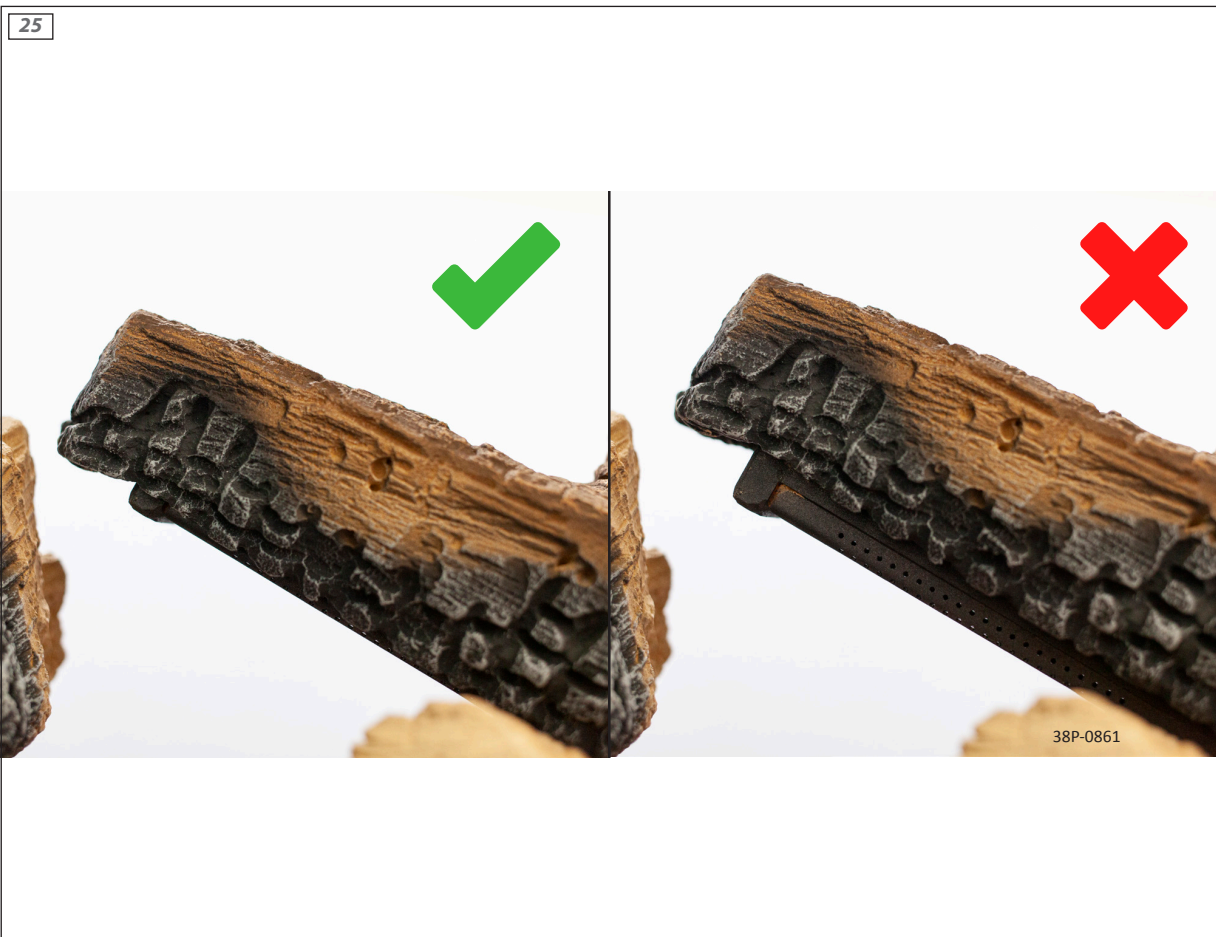


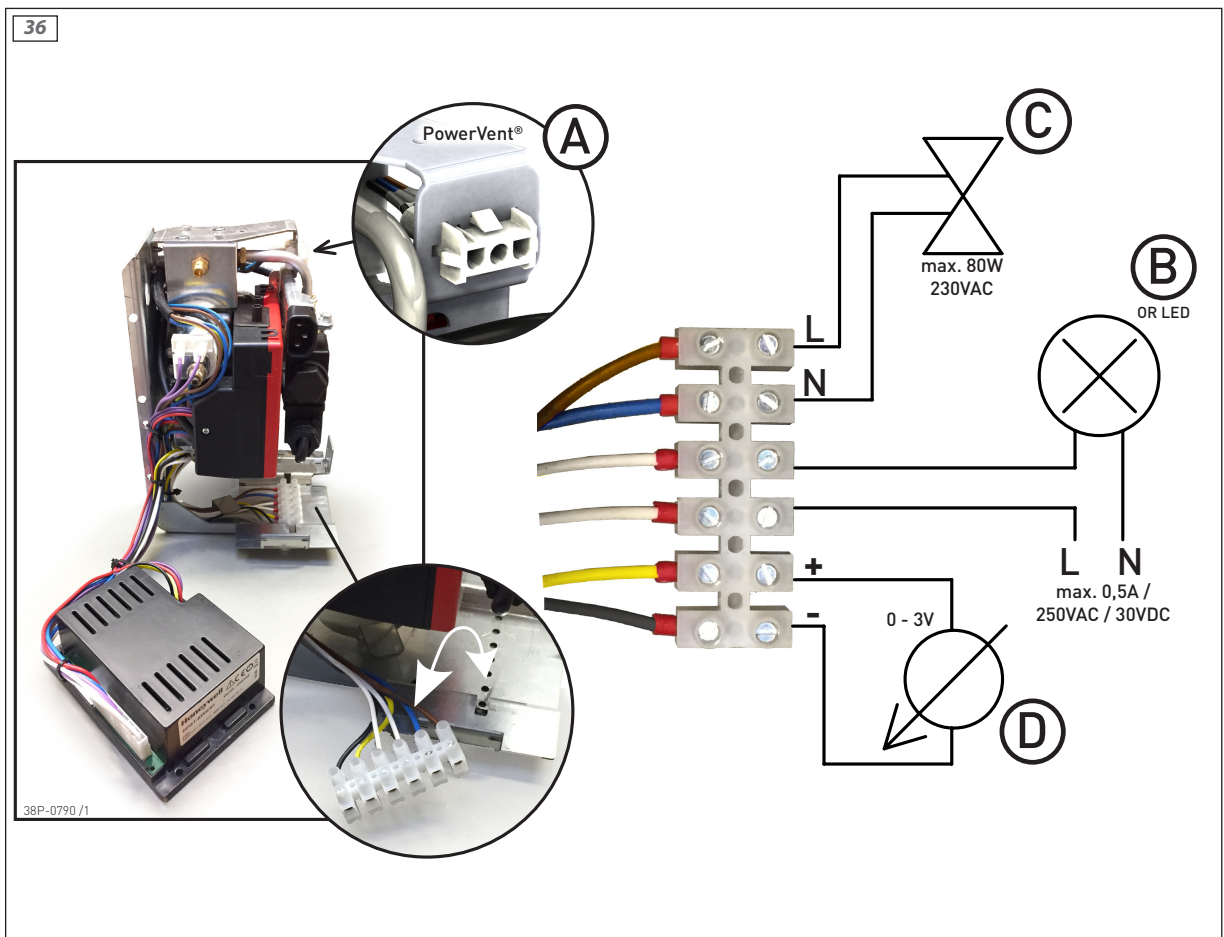
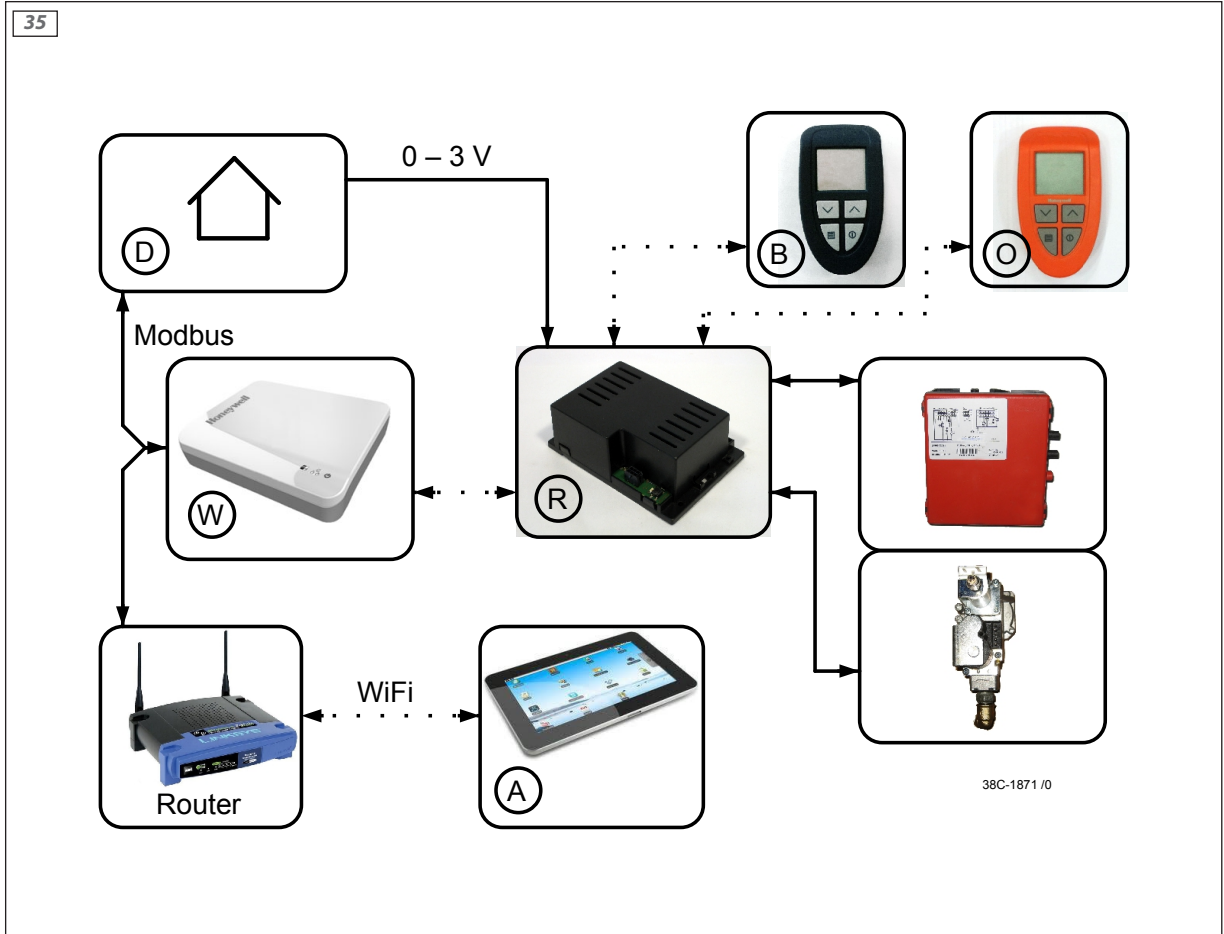






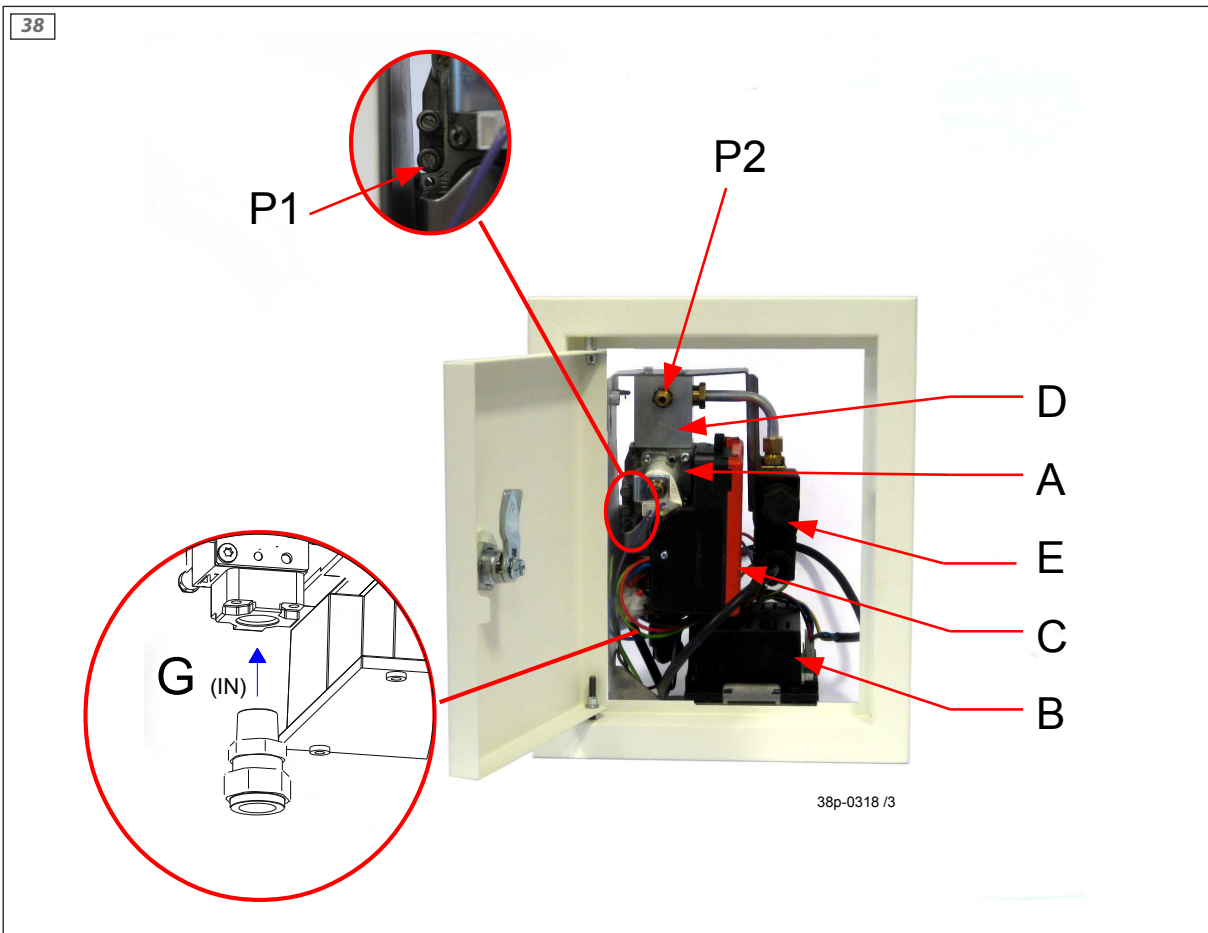


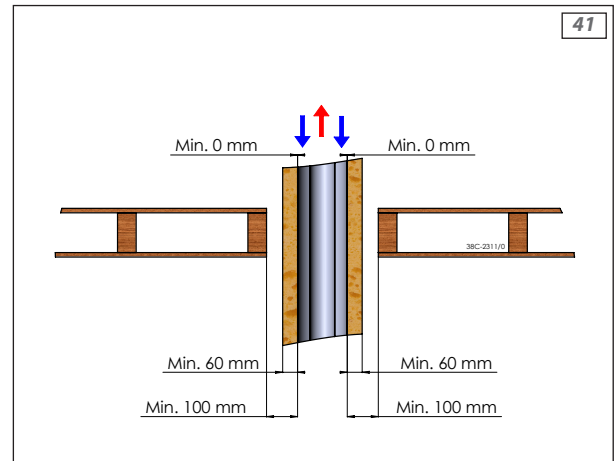
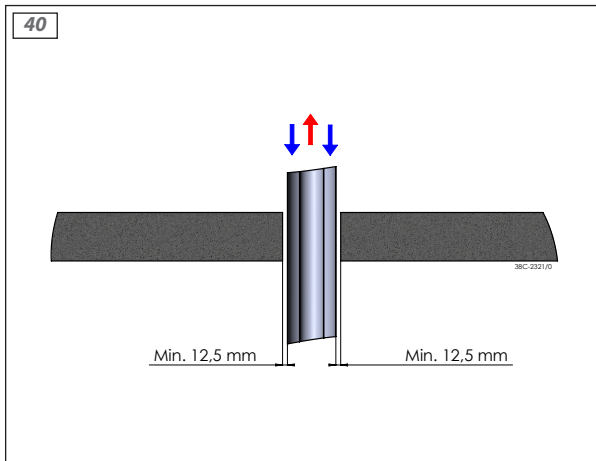




37				B1 🔥				B2 🔥🔥			
B	U	🔥	🔌	B	U	🔥	🔌	B	U	🔥	🔌
1	0,00 VDC	0%		1	0,00 VDC	0%		1	0,00 VDC	0%	
1	0,08 VDC	3%		1	0,08 VDC	6%		1	0,08 VDC	6%	
1	0,16 VDC	6%		1	0,16 VDC	13%		1	0,16 VDC	13%	
1	0,23 VDC	9%		1	0,23 VDC	19%		1	0,23 VDC	19%	
1	0,30 VDC	13%		1	0,30 VDC	25%		1	0,30 VDC	25%	
1	0,37 VDC	16%		1	0,37 VDC	31%		1	0,37 VDC	31%	
1	0,43 VDC	19%		1	0,43 VDC	38%		1	0,43 VDC	38%	
1	0,49 VDC	22%		1	0,49 VDC	44%		1	0,49 VDC	44%	
1	0,55 VDC	25%		1	0,55 VDC	50%		1	0,55 VDC	50%	
1	0,61 VDC	28%		1	0,61 VDC	56%		1	0,61 VDC	56%	
1	0,66 VDC	31%		1	0,66 VDC	63%		1	0,66 VDC	63%	
1	0,71 VDC	34%		1	0,71 VDC	69%		1	0,71 VDC	69%	
1	0,76 VDC	38%		1	0,76 VDC	75%		1	0,76 VDC	75%	
1	0,81 VDC	41%		1	0,81 VDC	81%		1	0,81 VDC	81%	
1	0,86 VDC	44%		1	0,86 VDC	88%		1	0,86 VDC	88%	
1	0,90 VDC	47%		1	0,90 VDC	94%		1	0,90 VDC	94%	
1	0,94 VDC	50%		1	0,94 VDC	100%		1	0,94 VDC	100%	
1	0,98 VDC	53%		2	0,98 VDC	6%		2	0,98 VDC	6%	
1	1,02 VDC	56%		2	1,02 VDC	13%		2	1,02 VDC	13%	
1	1,06 VDC	59%		2	1,07 VDC	20%		2	1,07 VDC	20%	
1	1,10 VDC	63%		2	1,10 VDC	25%		2	1,10 VDC	25%	
1	1,14 VDC	66%		2	1,14 VDC	31%		2	1,14 VDC	31%	
1	1,17 VDC	69%		2	1,17 VDC	38%		2	1,17 VDC	38%	
1	1,20 VDC	72%		2	1,20 VDC	44%		2	1,20 VDC	44%	
1	1,24 VDC	75%		2	1,24 VDC	50%		2	1,24 VDC	50%	
1	1,27 VDC	78%		2	1,27 VDC	56%		2	1,27 VDC	56%	
1	1,30 VDC	81%		2	1,30 VDC	63%		2	1,30 VDC	63%	
1	1,33 VDC	84%		2	1,33 VDC	69%		2	1,33 VDC	69%	
1	1,36 VDC	88%		2	1,36 VDC	75%		2	1,36 VDC	75%	
1	1,39 VDC	91%		2	1,39 VDC	81%		2	1,39 VDC	81%	
1	1,41 VDC	94%		2	1,41 VDC	88%		2	1,41 VDC	88%	
1	1,44 VDC	97%		2	1,44 VDC	94%		2	1,44 VDC	94%	
1	1,47 VDC	100%		2	1,47 VDC	100%		2	1,47 VDC	100%	
1	<b>1,98 VDC</b>	<b>Off &gt;</b>	<b>o</b>	2	<b>1,98 VDC</b>	<b>Off &gt;</b>	<b>o</b>	2	<b>1,98 VDC</b>	<b>Off &gt;</b>	<b>o</b>
	2,00 VDC		<b>o</b>		2,00 VDC		<b>o</b>		2,00 VDC		<b>o</b>

38C-1903 /0









DRU Verwarming B.V.  
The Netherlands  
Postbus 1021, NL-6920 BA Duiven  
Ratio 8, NL-6921 RW Duiven