



Installation, Precautions & Servicing

Gotham

600 750 900 1300

OmniGlide

600 900 1300

IMPORTANT

Carefully remove the fire from the packing checking neither the heater nor the power cable has been damaged during transport. Do not operate the fire if damaged. Please bear in mind the weight of the fire before removal from the packaging and installation. Consider if help is required. Always read this manual first before attempting to install or use and keep in a safe place. Any alteration to the power cable should only be done by a qualified electrician.

Your fire is guaranteed for one year from the date of purchase. In the unlikely event of a breakdown you have access to our customer services team, simply call **01543 251122** during office hours, 9am – 5pm or e-mail on info@flameritefires.com The accessories are found in a box that is packed at the side of the fire.

This product is only suitable for well insulated spaces or occasional use



Important Safety Information and Warnings

- **WARNING:** In order to avoid overheating, do not cover the heater.
- For indoor use only.
- Do not use the fire in the vicinity of a bath, shower or swimming pool.
- Never use the fire to dry laundry.
- The heater must not be located immediately below a socket outlet.
- The use of an extension lead is not recommended.
- This appliance can be used by children aged from 8 years and above and persons with reduced physical, sensory or mental capabilities or lack of experience and knowledge if they have been given supervision or instruction concerning use of the appliance in a safe way and understand the hazards involved. Children shall not play with the appliance. Cleaning and user maintenance shall not be made by children without supervision.
- Children of less than 3 years should be kept away unless continuously supervised
- Children aged from 3 years and less than 8 years shall only switch on/off the appliance provided that it has been placed or installed in its intended normal operating position and they have been given supervision or instruction concerning use of the appliance in a safe way and understand the hazards involved.
- Children aged from 3 years and less than 8 years shall not plug in, regulate and clean the appliance or perform user maintenance.
- Some parts of this product can become very hot and cause burns. Particular attention must be given where children and vulnerable people are present
- Caution should be applied to ensure that children do not play with the fuel effects.
- As with any electrical appliance whilst the instructions aim to cover as many eventualities as possible, caution and common sense should be applied when operating your appliance, particularly in the vicinity of small children.
- **CAUTION:** The heater is fitted with an automatic cut out to prevent any damage due to overheating. The element will continually and automatically cut out if the airflow is obstructed. **Never** cover the air outlets. To reset, switch the fire off, disconnect from the mains supply, remove the cause of the overheating. Allow to cool for a suitable period then switch the fire back on.
- **CAUTION:** In order to avoid a hazard due to inadvertent resetting of the thermal cut out, the appliance must not be supplied through an external switching device, such as a timer, or connected to a circuit regularly switched on and off by a utility.

Where a chimney is not blocked off completely, any draw will cause the heater to cut out during use. Care should also be taken when fitting into a cavity wall in case of damp or draft with external air vents fully sealed

RECYCLING



Please recycle responsibly. Take your item to your local recycling centre. You can easily locate your nearest centre on the www.recyclenow.com website or check with your retailer for details on either a collection service or a store take-back scheme (some may apply charges). Councils may offer a household recycling collection service for small electrical items; contact your local authority for more details.

Electrical Connections

Electrical connections. Your appliance comes fitted with a plug that incorporates a 13A fuse. The replacement fuses must be 13A and ASTA approved. If the fuse cover is lost the plug must not be used until a replacement cover, of the same colour, is obtained from an electrical retailer. The appliance is fitted with a moulded plug if it is necessary cut off the plug, for any reason, it must be discarded immediately with the fuse removed. Under no circumstances should any attempt be made to reuse the plug, do not insert into any 13A socket as this could cause a hazard. If the mains cable is damaged it must be replaced by the manufacturer or an authorised technical service centre.

WARNING THIS APPLIANCE MUST BE EARTHED

IMPORTANT

The wires in the mains lead are coloured in accordance with the following code.

Green and yellow:	EARTH
Blue:	NEUTRAL
Red:	LIVE

As the colours of the wires in the mains lead of this appliance may not correspond with the colour markings in your plug proceed as follows: -

- The wire which is coloured green and yellow must be connected to the terminal in the plug which is marked with the letter E, or coloured green or coloured green and yellow, or marked with the earth symbol
- The wire which is coloured blue must be connected to the terminal in the plug which is marked with the letter N, or coloured black.
- The wire which is coloured brown must be connected to the terminal in the plug which is marked with the letter L, or coloured red.

Insert the plug tightly into its IEC connector underneath the fire if not already done so. If the removal of the plug is absolutely necessary for installation, cut off in an area within 100mm only of the plug itself. Any further will affect your warranty.

Installation Instructions

DO NOT TWIST, FORCE OR SQUEEZE THE FIRE DURING THE INSTALLATION PROCESS.

The height at which you may wish to fix the fire in the wall is up to you, though we recommend anywhere from 350-450mm from the floor to the bottom of the fire opening (not the bottom of the fire).

Using the OnmiGlide 900 as a Hang on the Wall.

- The fixing rail should be fixed to the wall using the 4 x 60mm screws and rawl plugs with the hooks facing upward and outwards.
- At the back of the case (bottom/centre) is a fold down tag. Fold this down to expose it under the fire.
- Once the rail is fixed in place, lift and hook the fire onto the rail.
- Mark off through the hole in the fold down tag. Remove fire and drill hole.
- Hang the fire back on the wall and secure in place using the 35mm screw and rawl plug. This will prevent the fire from being lifted off the hooks on the fixing rail.

Situ	Screws	Rawl Plugs
OnmiGlide 900	4 x 60mm	10mm x 50mm
Hang on wall	1 x 35mm	5.5mm x 34mm

Using in a Flamerite suite, chimney breast, fireplace or an internal studwork and plaster board wall.

Always ensure the fire is well supported in a structure when mounting above the floor. A header or Lintel should be fitted at the required height to ensure the appliance does not support the weight of the finished wall or chimney breast.

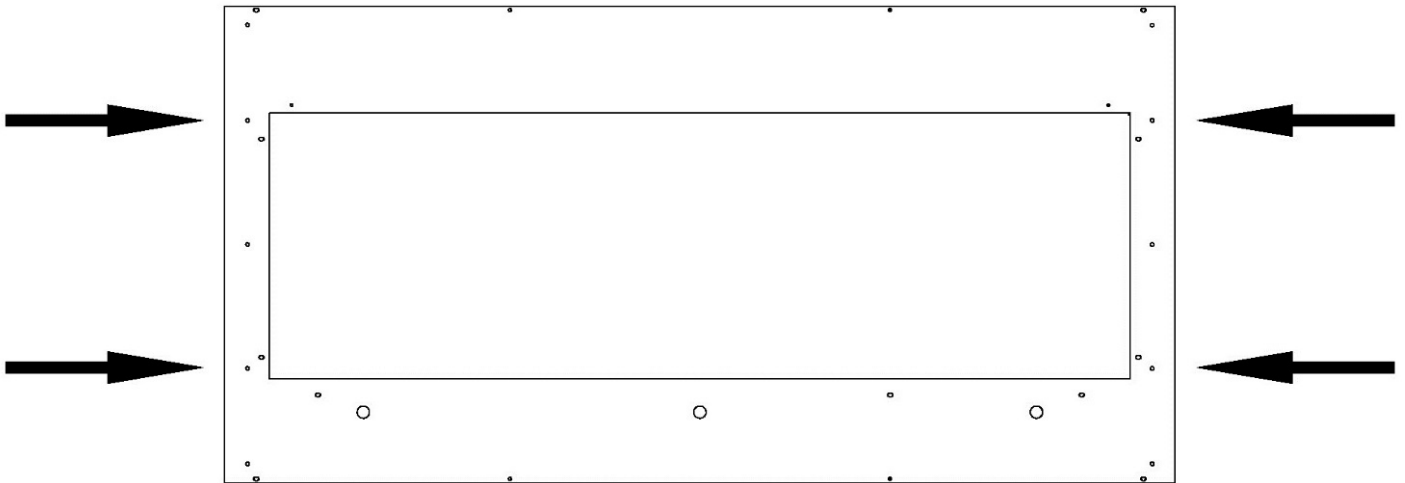
The minimum opening size to inset your fire

Model	H	W	D
600	740mm	615mm	170mm
750	885mm	765mm	170mm
900	510mm	915mm	170mm
1300	510mm	1315mm	170mm

- There must be enough clearance for the fire to comfortably fit into the hole. **DO NOT SQUEEZE INTO THE OPENING** this may deform the case and stop the glass from moving correctly.
- Prior to sealing/plastering the wall, the must be secured into place using the fixings provided.
- If not already done so fitting a Gotham into a Flamerite Suite, this will be done from the back.
- If not already done so fitting an OnmiGlide into a Flamerite Suite, this will be done from the front.

Situ	Screws	Rawl Plugs
Stud Wall	4 x 35mm	N/A
Chimney	4 x 35mm	5.5mm x 34mm
Fireplace	4 x 35mm	5.5mm x 34mm
Suite	4 x 15mm	N/A

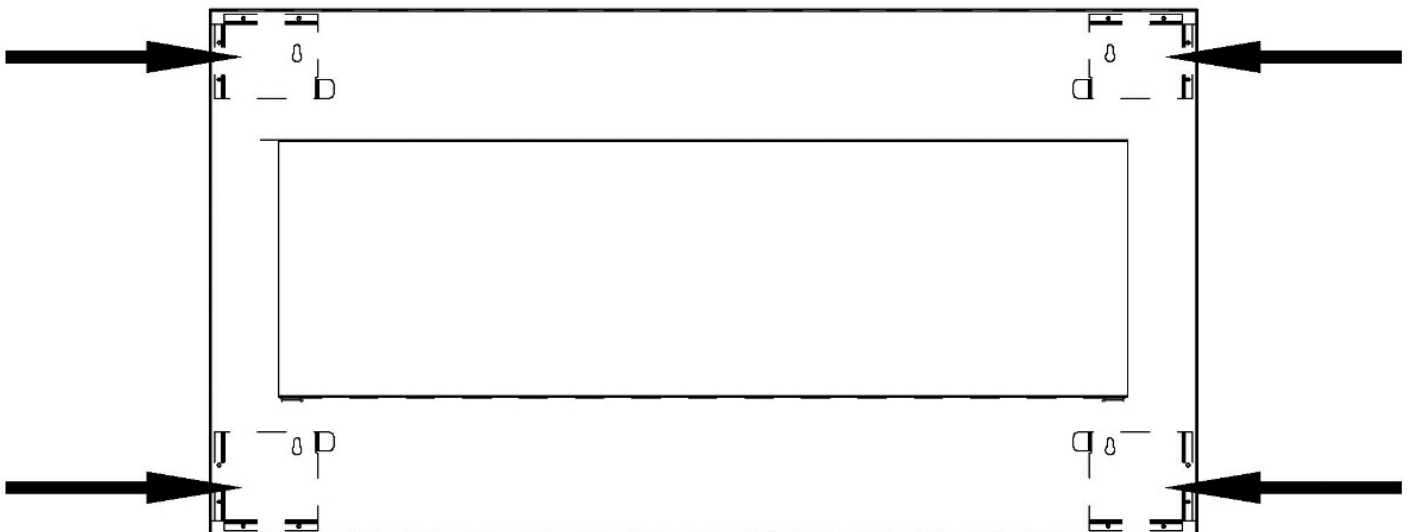
Four larger counter sunk holes will be visible at each corner of the fire.



Please now test the fire and follow the rest of the instructions below before permanently boarding/sealing/plastering in place.

The OnmiGlide Front

The front is held on by four keyhole slots, one in each corner. Corresponding screws are attached to the case, they should be adjusted for a tight fit. Lift the front over the screws, insert into the keyhole slots and push down.



Log Effect

The log effect must be positioned according to the images below. Care must be taken to ensure there is enough room between the front of the logs and the glass channel at the front of the opening so the glass may tilt open freely into the fire and trigger the micro switch.

Visit www.flameritefires.com/downloads if you require clearer downloadable images.

600



750

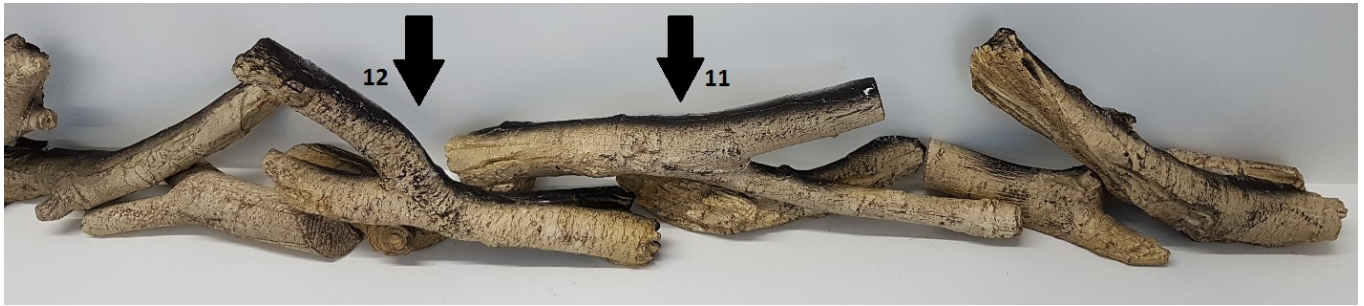


900



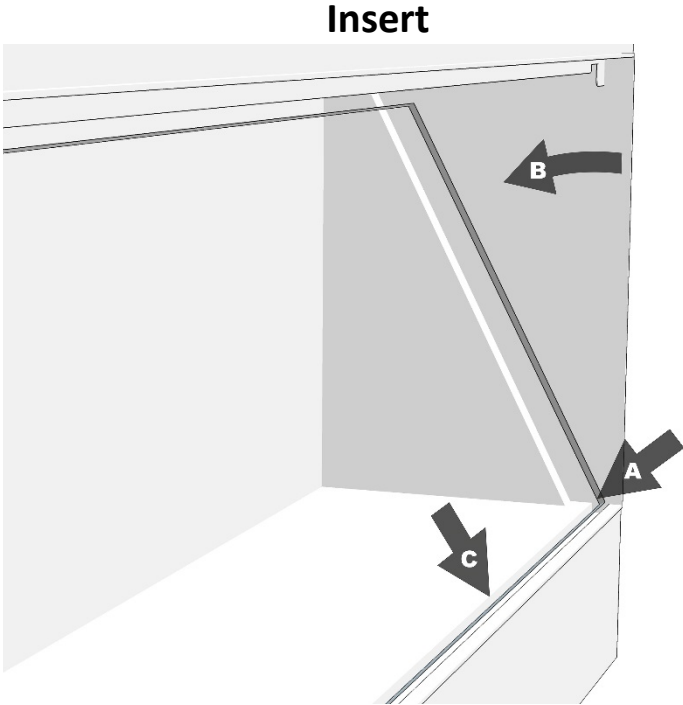
1300





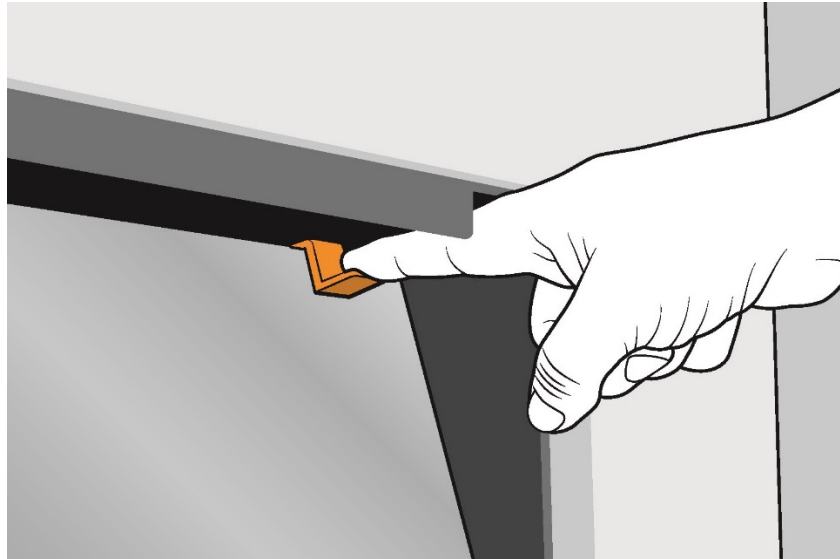
Glass Fitting & Removal

WARNING: The glass used is toughened, if mishandled it is designed to shatter. Extra care should be taken during this procedure. Make sure the fire is turned off and the heater allowed to cool.



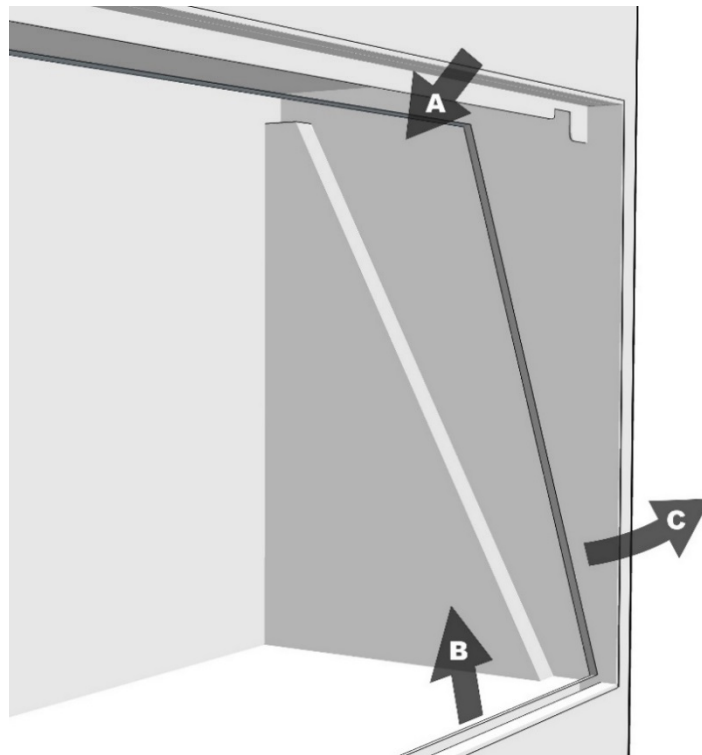
- **A** Hold the glass panel in each bottom corner
- **B** Tilt the top of the glass into the fire
- **C** Place the bottom on the glass panel into the channel
- Adjust the glass panel side to side for a smooth forward and backwards action

Opening & Closing



To open and close the front glass panel, place your index finger on the handle as shown in the picture.

Remove



- **A** Hold the glass panel across the top either side of the heater
- **B** Pull up and outward of the channel toward you **C**. **Do not rest on a hard surface**

Gotham (600 & 900) Dresser Rail

Simply fit the rear of the channel in front of the glass whilst the front hangs over covering the join from wall to fire.

Maintenance

WARNING: Before any maintenance/cleaning is undertaken, always disconnect the fire from the mains power supply.

Replacing Lamps

Dimmable 240V 6W 3000k E14 LED lamps

Allow a suitable time for the lamps to cool then remove the glass & fuel effect (see Installation). Remove the two screws from either side of the fuel bed and lift out of place. Remove and replace the lamps, fuel bed, fuel effect and glass. Please note that replacement Lamps are only covered from purchase by a 2-year warranty.

Replacements are available from Flamerite Fires Ltd

Cleaning

The fire can be cleaned with a soft cloth and nonabrasive glass cleaner.

Trouble Shooting

- **No power to the fire:** Check the wall socket, plug, fuse and lamps.
- **Heat turns off quickly after turn on:** Set thermostat on app after turning heat on, not before.
- **No illumination:** Make sure fire is turned on. Check heater is working, if so check lamps.
- **Heater blowing cold air:** The safety cut out may have operated. Check for obstruction around the heater. If continually a problem and fitted into a cavity wall or chimney breast check with installer the inset opening has been 100% fully sealed from drawn air and draft.
- **Noise when illuminated:** Due to moving parts, the electric fire will make a noise.
- **Noise from the heater when in use:** The sound of rushing air is normal.

Information Requirements

Information requirement for electric local space heaters

Model identifier (s)		600	900	750	1300		
Item @ 240v 50Hz	Symbol	Value	Value	Value	Value	Unit	
Heat output							
Nominal heat output	Pnom	1.5	1.5	1.5	1.5	kW	
Minimum heat output (indicative)	Pmin	0.75	0.75	0.75	0.75	kW	
Maximum continuous heat output	Pmax,c	1.5	1.5	1.5	1.5	kW	
Auxiliary electricity consumption							
At nominal heat	elmax	0.033	0.048	0.039	0.060	kW	
At minimum heat	elmin	0.033	0.048	0.039	0.060	kW	
Instandby	elSB	0.0005	0.0005	0.0005	0.0005	kW	
Type of heat output/room temperature control							
With distance control option							
Room temperature control, with open window detection							
Adaptive Start							Yes
With electronic room temperature control plus week timer							Yes
Contact details:	Flamerite Fires Ltd. Greenhough Road, Lichfield. Staffs. WS137AU						

Wiring Diagram

