

FIREBLOOM

FRESCO+ OUTDOOR WOOD BURNING STOVE

Designed • Engineered • Developed
Farnworth, UK



FRESCO+ Outdoor Stove

INSTALLATION MANUAL AND USER OPERATING INSTRUCTIONS

Please leave this booklet with the stove user and instruct them on the correct use of the stove, operation of the controls and the correct fuel types to burn focusing on both efficiency and environmental considerations.

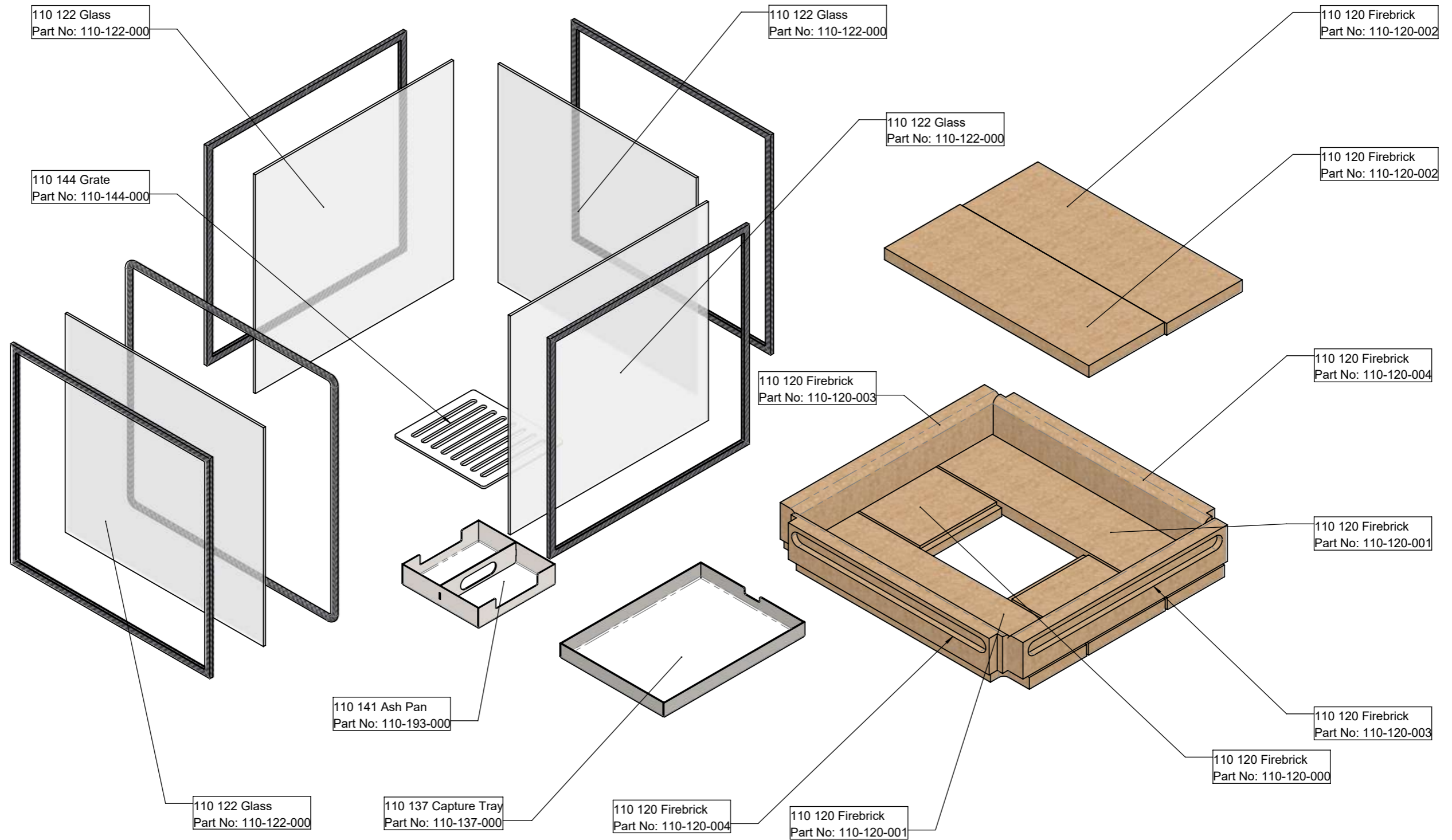
Stoves operate at very high temperatures.

All persons including children must be warned of this and should be discouraged from touching any surfaces whilst the stove is in use. This includes the connecting flue pipe, glass, controls and door handle. When refuelling the operator must use the glove provided and limit the time the door is left open when doing so.



1. Component spare parts	Page 4
2. SAFETY INFORMATION	Page 6
2.1 Positioning	Page 7
2.2 Assembly	Page 8
3. OPERATION & LIGHTING	Page 10
3.1 Lighting the Stove	Page 10
3.2 Reloading the Stove	Page 11
3.3 Operation with door left open	Page 11
3.4 Extinguishing the Stove	Page 11
4. General Maintenance	Page 12
4.1 Removing & Replacing Baffle Firebricks	Page 12
4.2 Cleaning Airways	Page 12
4.3 Empty Catchment Tray	Page 13
4.4 Replacing the Door Glass	Page 13
4.5 Replacing Side Glass	Page 13
5. ENVIRONMENTAL CONSIDERATIONS	Page 14
6. CARE, MAINTENANCE & STORAGE	Page 14
7. PRODUCT SUPPORT AND WARRANTY INFORMATION	Page 15

1. COMPONENT SPARE PARTS



2. SAFETY INFORMATION

Important - Read these instructions fully before assembly, locating the appliance or operating.

1. This stove is intended only for outdoor use only and must not be used indoors or any enclosed area (such as houses, tents, caravans, motor homes or boats but not limited to).
2. The flue/chimney system must always terminate in free air and not within an enclosed space, failure to do so may result in carbon monoxide poisoning.
3. All purpose-built structures must have at least two open openings for ventilation.
4. Do not use this stove on artificial grass or other combustible surfaces that are unprotected
5. This stove must be installed on a secure firm, level base before use, and never used without the pedestal.
6. This stove is intended for domestic outdoor use only. Commercial use is prohibited.
7. Do not use this stove on wooden or composite decking or any other combustible surfaces such as dry grass, wood chips, leaves or decorative bark. Without protecting the surface
8. The minimum clearances to fence panels, garden furniture, pergolas, arbours, and gazebos is 1.5m. Permanent structures and roof penetrations should conform to building regulations.
9. Take care, hot embers may be emitted from this appliance during refuelling periods.
10. Burn only seasoned or kiln dried hardwood logs. Moisture content less than 20%.
11. Burning painted, stained or pressure treated wood, plywood, cardboard, paper, coal, charcoal (briquettes or lump), leaves or rubbish can damage the product and impair its safe use.
12. Do not overload the stove with fuel as this could damage the appliance and flue/ chimney system, and impair its safe use.
13. Do not use any flammable liquids to light the fuel bed, including alcohol, lighter fluid, petrol, diesel, oil but not limited to.
14. This appliance will become very hot in use. All surfaces are to be considered hot.
15. Always use heat resistant gloves, tested to EN407, when opening or refuelling.



16. Keep children and pets away while in use.

17. The appliance must only be used for its sole purpose, it must not be used as a cooking appliance either internally or externally, as a furnace or third-party heating unit.

18. Do not cover the stove until it is cooled sufficiently, and always consult the manufacturers cover instructions for suitability.

19. Do not use or store or locate gas bottles, wood fuel or flammable liquids near the stove when in use

INSTALLATION

WARNING: The stove is heavy, and it may require more than two persons to assemble.

2.1 Positioning

Place the appliance in a well ventilated open area on a sturdy platform that is free from low overhanging branches. Ensure there is adequate space to walk past the appliance without risk of being burnt.

Placing the appliance on a purpose-built platform, paving slabs, or concrete are all good options.

Clear the immediate area of any dry, flammable, or combustible items.

Always protect the grass, trees, leaves, and environment around you.

If installing under any roof, pergolas, arbours or gazebos always consider the height clearance to combustible materials.

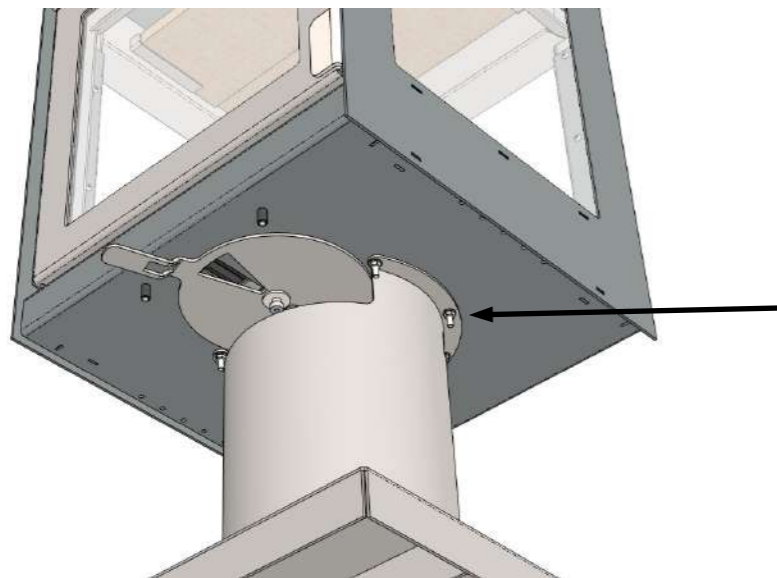
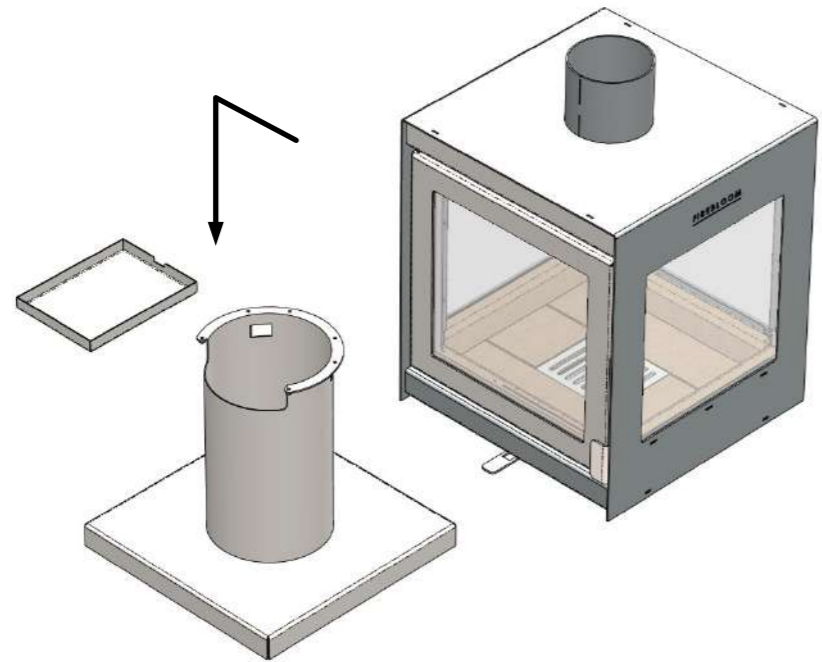
Never place next to dog kennels, hutches or other structures that house pets.

Avoid proximity to rotary washing lines and washing lines that may span across the area.

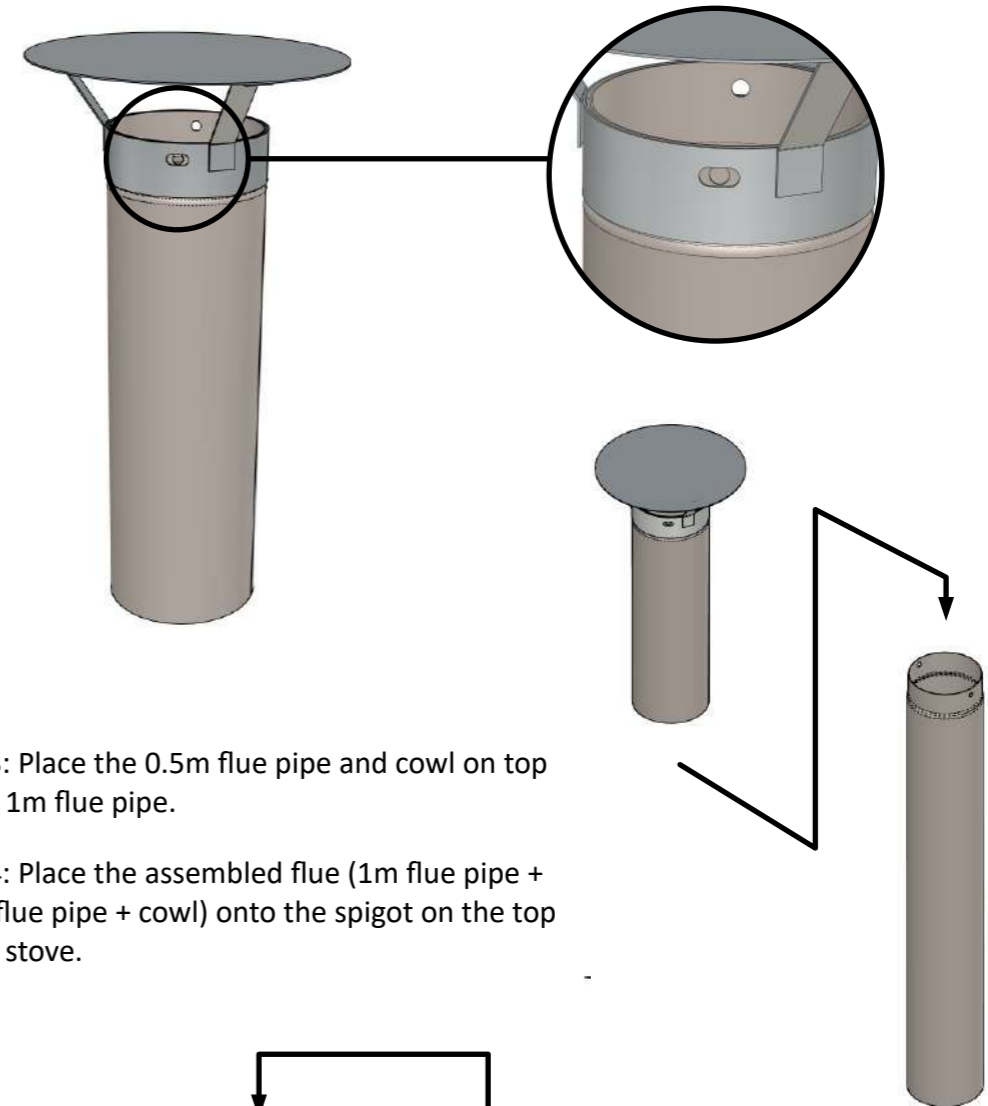
2.2 Assembly

Note: There are four levelling feet under the base of the pedestal to allow fine adjustment on uneven ground. It is advised to make any levelling adjustments prior to full assembly of the pedestal and stove body.

Step 1: Carefully lift the stove body onto the pedestal, ensuring that the 6 bolts on the underside of the stove body are correctly inserted into the 6 holes around the rim of the pedestal. Then take the 6 M6 locking nuts and screw them tightly to the bolts.

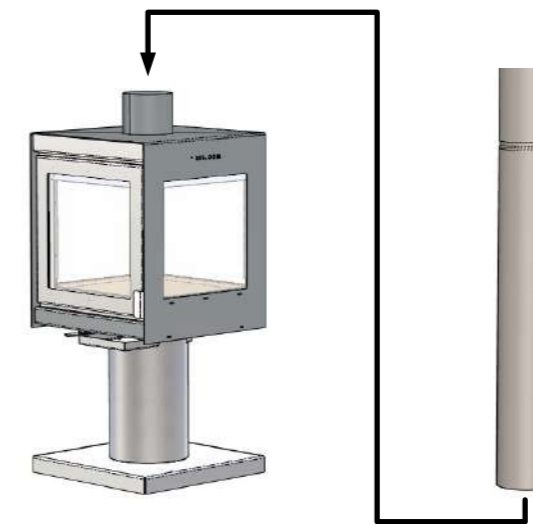


Step 2: Place the cowl on top of the 0.5m flue pipe and align the holes on both components. Using the M6x25mm hexagonal black bolts, 18mm Black washers and M6 black nuts, secure the cowl to the pipe.



Step 3: Place the 0.5m flue pipe and cowl on top of the 1m flue pipe.

Step 4: Place the assembled flue (1m flue pipe + 0.5m flue pipe + cowl) onto the spigot on the top of the stove.



3. OPERATION & LIGHTING

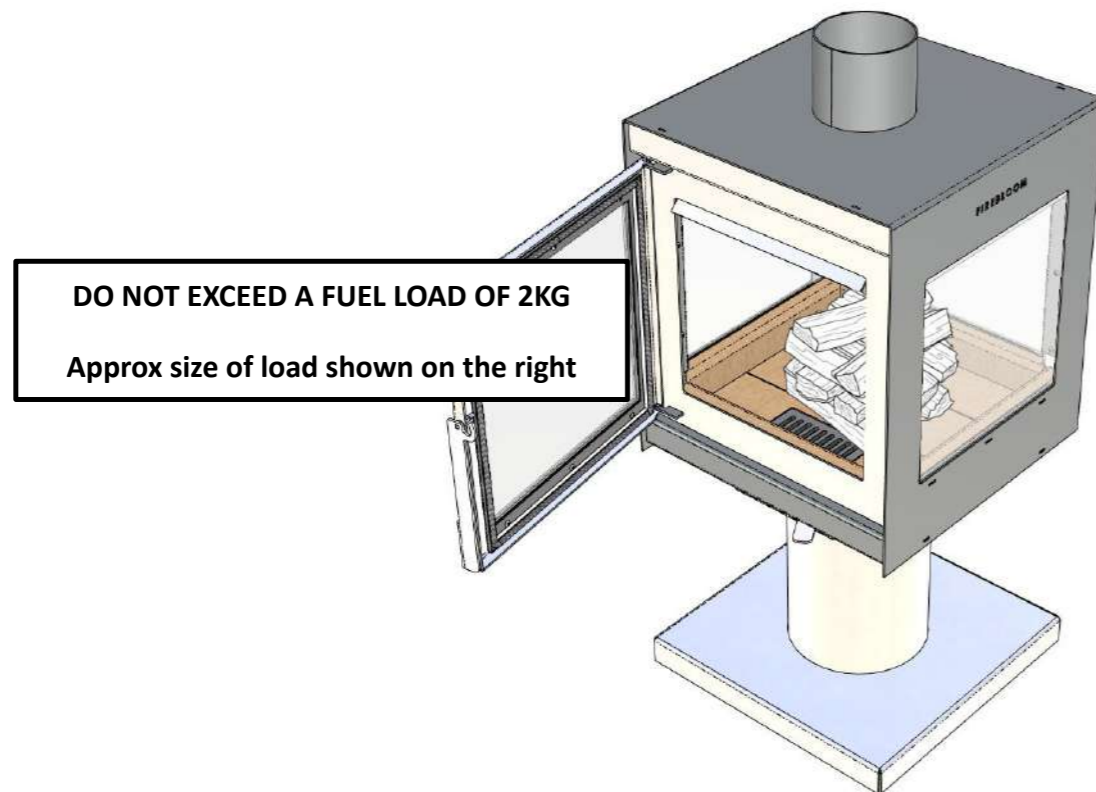
WARNING: Before using this stove, please ensure that you have read and fully understand all the information provided in this manual. Failure to follow the instructions contained within may result in a serious injury occurring, death or damage to property. Do not use under the influence of alcohol or other substances which may impair the user's ability to operate the stove.

IMPORTANT! In order to correctly cure the high temperature coating used on this product you **MUST** begin with a series of INITIAL SMALL FIRES, gradually building up to larger fires. Failure to do so may result in paint peeling or discolouration.

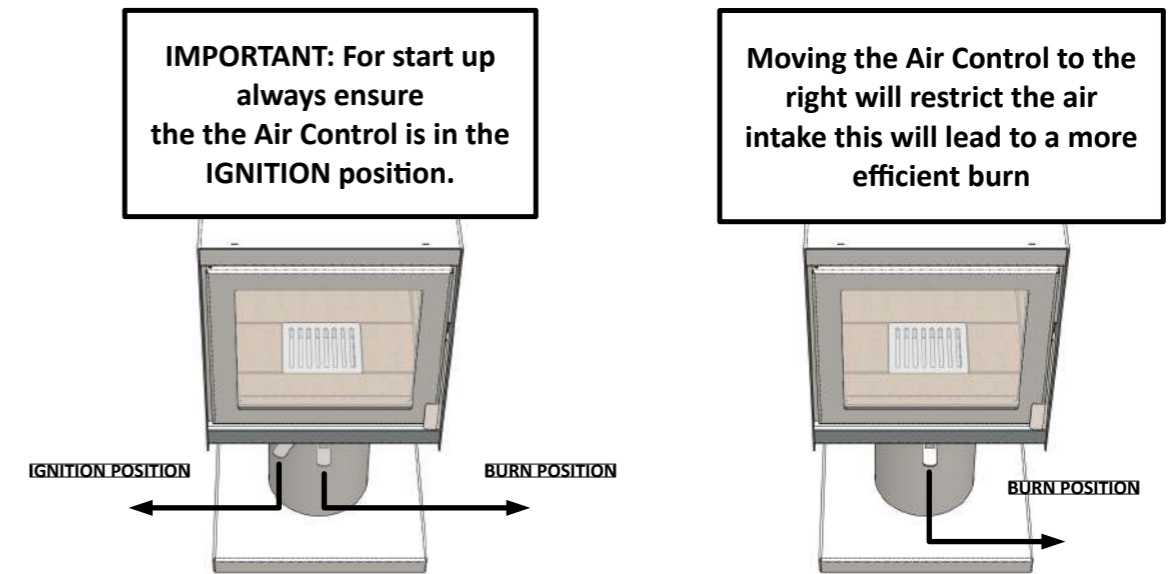
3.1 Lighting the Stove

Open the door by lifting the handle upwards.

First, load the fire with starting fuel i.e. dry kindling timber and/or firelighters and seasoned wood. Place the fuel in the middle of the combustion chamber. The fuel must NOT touch the glass at any point during the operation of the stove.



Light the fire at the base leaving the air control fully open to utilise the air boost start up function. To help establish a good fire, leaving the door slightly ajar (approximately 10mm) can be advantageous to aid combustion. It is normal to see smoke coming from the open stove door at this stage. After a few minutes the door can be closed using a heat resistant glove. **During normal operation run stove with the door closed**



Allow the fuel to reach a steady glow and build up the fire gradually. Once you have a good fire established across the fuel bed, further fuel can be added as required. It is important not to overload at any point.

When your fire is well established you can start to restrict the air intake. Your stove is burning with maximum efficiency when a bright fire is achieved using minimum air inlet

3.2 Reloading the Stove

When the fuel load is spent there should be a bed of glowing embers remaining. This is the time to slowly open the door using a heat resistant glove and carefully add more wood logs.

IMPORTANT! Do not overload the stove.

3.3 Operation with door left open

Operation with the door open can cause excess smoke and will reduce the efficiency of the stove by up to 50% (as well as presenting an obvious fire risk) and significantly reduce the air quality which may result in a risk to your health. The stove must not be operated with the stove door left open except as directed in the instructions.

3.4 Extinguishing the Stove

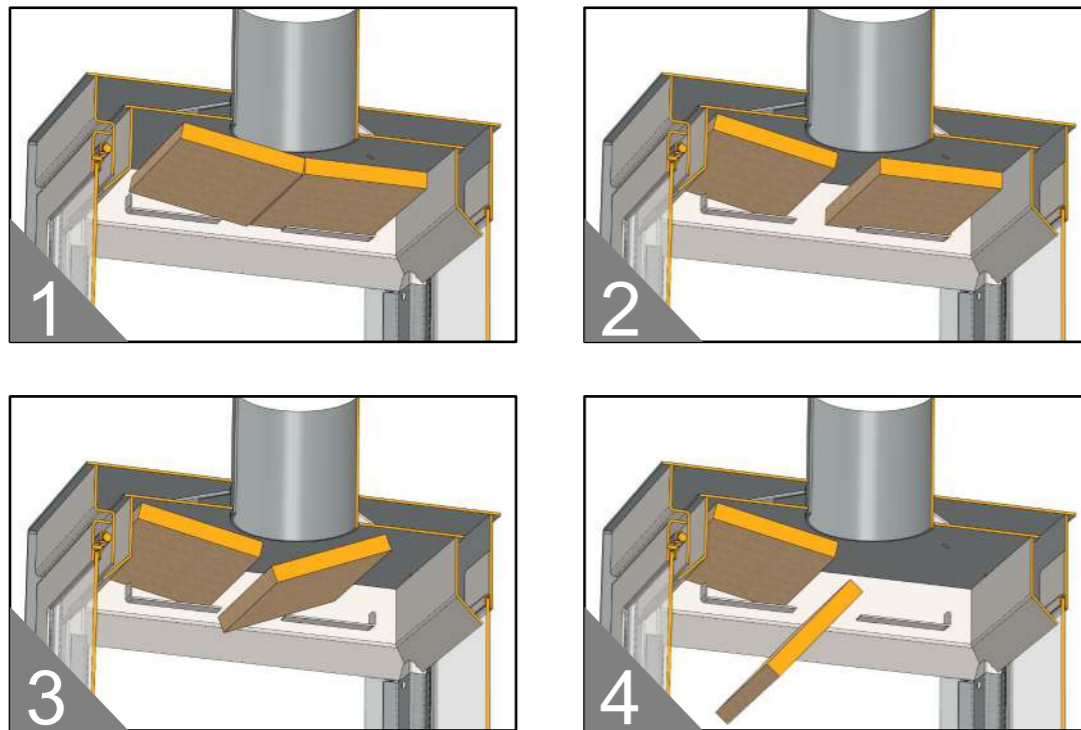
Allow the fire to self-extinguish by fully burning its fuel

WARNING: Do not use water to extinguish the fire.

4. GENERAL MAINTENANCE

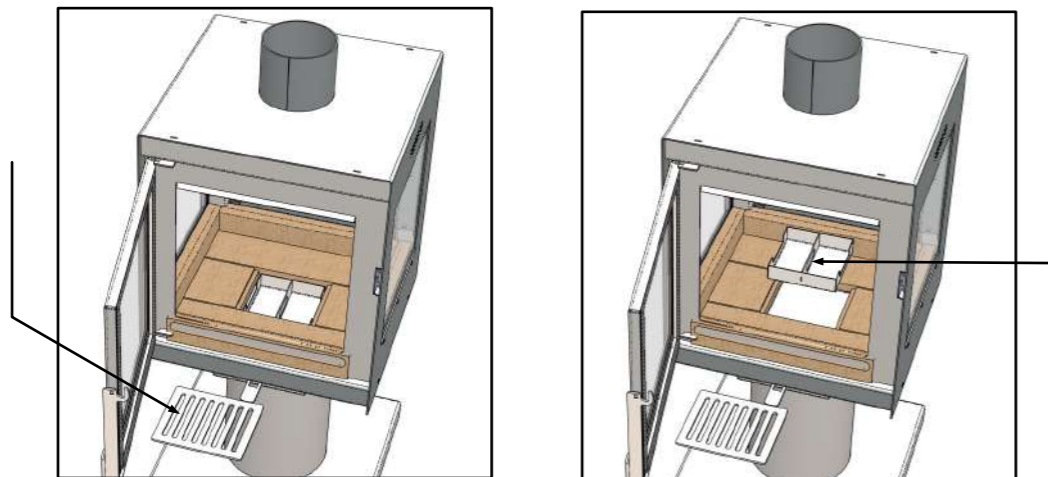
4.1 Removing & Replacing Baffle Firebricks

In order to remove and replace the baffle firebricks, lift up the outer edge and slide towards the outside of the stove. This will create space in the middle to slide the opposite firebrick down. Then remove the original brick using same method.



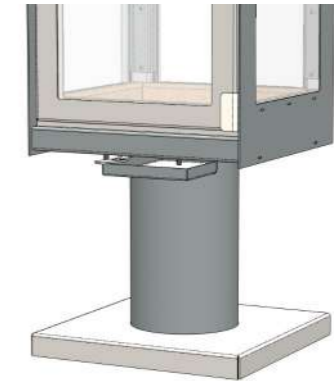
4.2 Cleaning Airways

It is important to keep the airway under the grate clear, after each use ensure that ashpan is emptied. Remove the grate, lift out as shown. Lift out the ashpan and empty.



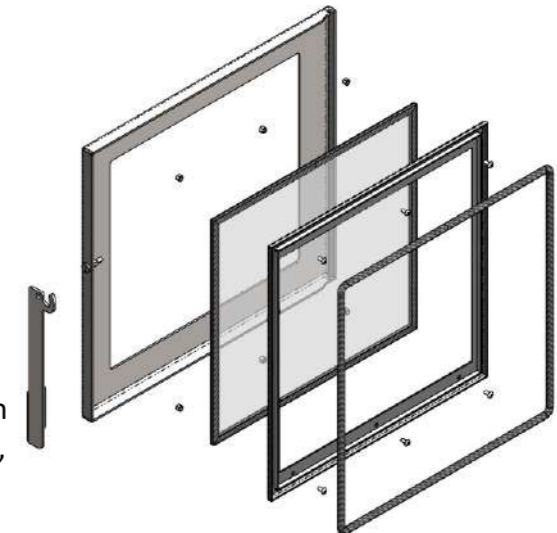
4.3 Empty Catchment Tray

Only when the stove is cold make sure to empty the catchment tray before each use. Simply slide it forward to remove it. Do not allow the ash to build up, it must be emptied before each.



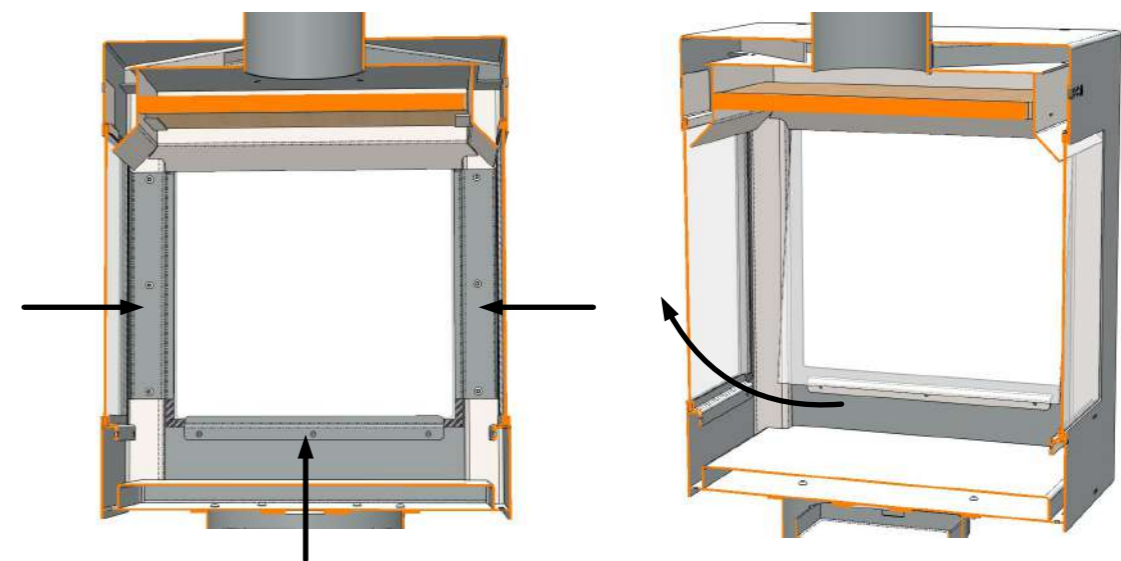
4.4 Replacing the Door Glass

- 1] Remove the rope seal
- 2] Remove the six retaining screws
- 3] The rear sealing plate can now be carefully removed granting access to the glass.
- 4] WHEN COLD - Carefully remove the broken glass and replace the window with the correct stove glass from your supplier. When replacing the glass we recommend also replacing the rope seal in all instances. The retaining steel frame can then be put back in place and screws then secured to retain it in position



4.5 Replacing Side Glass

Start by taking the floor firebricks out. Then remove the three glass retainers [arrowed], then gently slide the glass in and down to remove.



5. ENVIRONMENTAL CONSIDERATIONS

It is important when using the Fresco stove that you use dry seasoned HARDWOOD only, as documented within these instructions. The firewood moisture content must be checked, and the method should involve the use of a moisture meter. The moisture content must not exceed 20% and not lower than 12%. If the wood is under 12% moisture, cost efficiency may be impacted as a result of faster burning fuel. Further to this, the Fresco stove performance and output may become severely impaired, becoming detrimental to the environment and air quality, and consequently may also lead to components needing to be replaced more frequently. Percy Doughty has long recognised the importance of working together for a cleaner safer environment, therefore it is critical that we burn responsibly to achieve a greater reduction in our emissions.

6. CARE, MAINTENANCE & STORAGE

Do not attempt any cleaning or maintenance until the fire is fully extinguished and cool to touch.

Do not use oven cleaner or other abrasive cleaners. This will damage the stove.

Use a soft brush to regularly clean the stove body. Any stains or marks may be removed using a lightly damp cloth, but must be dried immediately after.

Any ash or unspent fuel can be removed from the stove using a small dustpan and brush.

The glass can be cleaned using a lightly damp cloth and dried with a clean cloth or towel. Ensure that any liquid deposited inside the stove is dried immediately and a suitable glass cleaner is used.

As this product is made from steel, the surface will age and develop surface rust over time once it is exposed to natural weather elements. This is to be expected and does not constitute a product fault.

If the stove is left outside temporarily, a suitable cover must be used, once it has cooled completely (the flue may need to be disconnected and stored or covered separately).

For long term storage the stove must be stored in an environment that is free from frost, rain, and excessive moisture.

Do not attempt to move the stove until the fire is fully extinguished and cool to touch.

The stove is very heavy and will require 2 persons to move.

Do not use or store any liquids near the stove when not in use.

7. PRODUCT SUPPORT AND WARRANTY INFORMATION

Warranty Exclusions and Limitations

Service and Maintenance

No warranty is extended to consumable serviceable parts or the repair or replacement of such parts, which are subject to normal wear and tear during the warranty period. Parts that will require replacement in connection with normal annual and ongoing maintenance will include but are not limited to, glass, firebricks, log retainers (certain models), baffles and are not covered under the terms and conditions of the warranty.

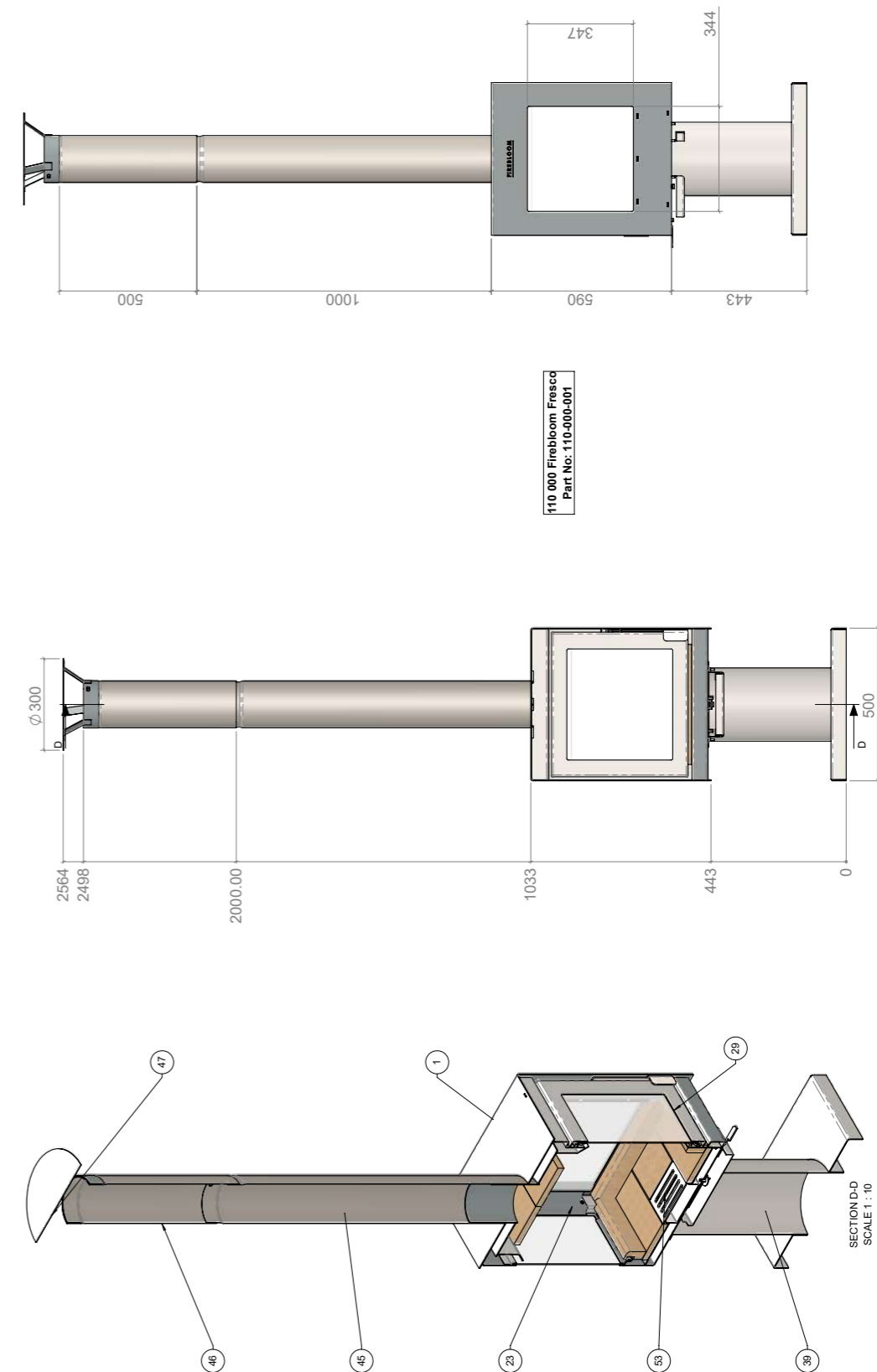
The Firebloom Warranty does not cover:

- During normal operation, the paint finish of your Firebloom stove may change colour slightly. The paint finish on the Fresco body and chimney system may also require touching up or repainting from time to time. These circumstances are considered normal, and as such are not covered with the terms and conditions of the warranty.
- Damage resulting from the incorrect assembly in terms of supporting the appliance, the appliance not sited correctly not operated correctly in accordance with the Firebloom installation and operation instructions, or location risk assessment.
- Consumable items: glass, and vermiculite brick lining.
- Thermal shock from a sudden and uneven temperature change of the glass, causing stress that can lead to cracking or shattering.
- Overloading of fuel in the combustion chamber or fuel touching the surface of the glass.
- Modifications of the appliance, negligence, abuse, and improper care of the appliance.
- Damage or corrosion caused by specific local conditions, this may include the location of a coastal environment, extreme weather conditions, flooding, garden debris, chemical damage caused by pesticides, insecticides or other commercial use.
- Internal damage caused by rainwater or from a garden hose, jet wash or sprinkler system.
- Damage or faults caused by lack of appropriate maintenance as deemed by Firebloom.

- Damage or premature wear caused by burning inappropriate fuels such as pallet wood, painted / varnished wood or any other unnatural contaminant, coal, anthracite, or any other petroleum-based coals but not limited to.
- Damage caused by the incorrect placement of fuel, typically when initially lighting and then from subsequent refuelling.
- Damage caused by burning wood with high moisture content above 20%.
- Damage caused by unauthorised modifications, use or repair.
- Damage caused by the incorrect fitting of the chimney/flue pipe.
- Consequential loss (to the extent permitted by law) relating to other associated products that have not been supplied by Firebloom.
- Consequential loss (to the extent permitted by law) related to garden furnishings and boundary fencing/decorative structures, composite & wooden decking, including pergolas and parasols.
- Removal and re siting the appliance costs, by the end user or third party.
- Damage caused by transportation.
- Damaged caused by using the appliance to cook on or to heat liquids.
- Damage caused by sporting activities or water games.
- Damage caused by melting plastics, paints, or coverings or other during storage.
- Damage caused by attempting to modify the appliance by suspension or other methods not approved by Firebloom.
- The coverage does not extend to scratches, rusting, dents, chips, grazing, flaking of paint, appearances or minor cosmetic cracks of the exterior glaze that do not affect the performance of the Firebloom product.
- Reasonable wear and tear, as deemed by Firebloom.

Please see the full details and most up to date version of this information on our website:

www.firebloomoutdoor.co.uk



FIREBLOOM

FRESCO+ OUTDOOR WOOD BURNING STOVE

Designed • Engineered • Developed
Farnworth, UK

Percy Doughty & Co

Imperial Point, Express Trading Estate, Stone Hill Road,

Farnworth, Bolton. BL4 9TN

01204 868 550

www.percydoughty.com