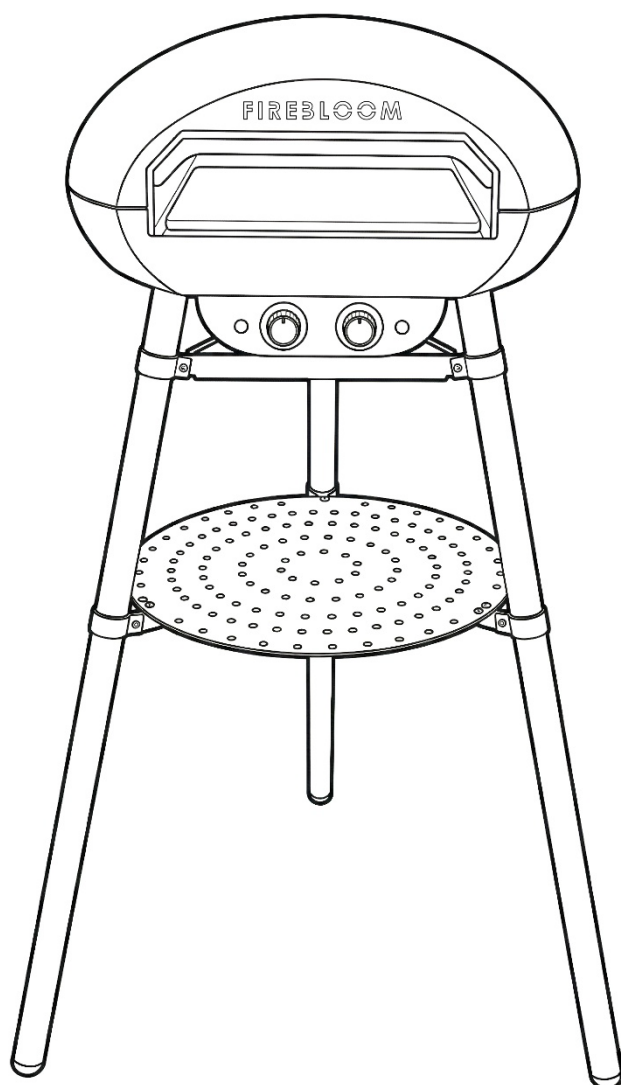


FIREBLOOM

ELECTRIC PIZZA OVEN INSTALLATION & USER MANUAL

Model: EP02

SUITABLE FOR PIZZAS UP TO 12" IN DIAMETER





Warning electric shock risk!

- Before connecting the oven, make sure that:
 - The mains voltage corresponds to the data specified on the label.
 - The socket has a capacity of 13A and is equipped with a ground wire.
 - The protective conductor system of the domestic electrical system is installed in accordance with the law.
 - The power cord is perfectly intact without defects.
- To avoid any risk of electric shock, never immerse the power cord, its plug or the whole oven in water or another liquid and do not expose it to rain or moisture.
- If you want to use an electrical extension, make sure that it is in good condition, equipped with a grounded plug and with a conductor cable with a section at least equal to that of the power cord supplied with the oven. If it is necessary to use adapters, multiple sockets and electrical extensions, use only those that comply with current safety standards. Never exceed the absorption limits indicated on the electrical adapter and / or on the extensions, as well as the maximum power limit marked on the multiple adapters, considering the maximum power indicated on the label.
- Do not let the power cord hang down or touch hot surfaces or become knotted. Never disconnect the appliance by pulling out the power cord..
- Should food or other parts of the oven burn, never try to extinguish the flames with water. Unplug and smother the flames with a damp cloth.
- Oversized food and metal utensils must not be inserted into the oven as they may create fire or risk of electric shock.
- Do not handle or touch the oven with wet hands or bare feet.
- Do not expose the oven to harmful weather conditions such as rain, moisture, frost etc. Always store in a dry place.
- When not in use and before cleaning, always disconnect the appliance from the power supply. Cleaning and routine maintenance operations must never be carried out by children unless they are over 8 years old and are adequately supervised. We don't assume any responsibility for damage to things, people or animals caused by cleaning and routine maintenance operations carried out in an unsuitable manner.



Danger of fire!

- A fire may occur if the oven is covered or touching flammable materials including curtains, draperies, walls and the like when in operation or after, when still hot. Do not place any of the following materials in the oven, on top of the oven, or in contact with the oven sides or bottom surfaces: paper, cardboard, plastic, or other flammable materials.
- The oven has been dropped or has visible damage or malfunctions. In these cases, to avoid any risk, the oven must be checked. If necessary, contact the Retailer for any further information.
- Do not put anything into the ventilation openings. Do not obstruct them.
- This oven was not designed to be built-in; It is a freestanding appliance.
- For personal safety, never disassemble the oven by yourself, always contact the Retailer. If the oven is out of order and it has been decided not to repair, it's recommended to make it unusable by cutting the power cord.
- Do not store any item on top of the oven when in operation.
- Do not leave the oven unattended when in operation. Food ignition may occur. If this happens, unplug unit but DO NOT open door. To reduce the risk of fire, keep oven interior completely clean and free of food residues, oil, grease, and any other combustible materials.

DO NOT THROW AWAY INSTRUCTIONS

This appliance is intended to be used in household and similar applications.



HOT SURFACE

Surfaces such as the outer body of the oven or the door may be hot during and after appliance use. Use caution when touching these areas, as there is a burn risk. Wear protective gloves for protection.

Important Safety Information

When using this appliance, basic safety precautions should always be followed, including but not limited to the following:

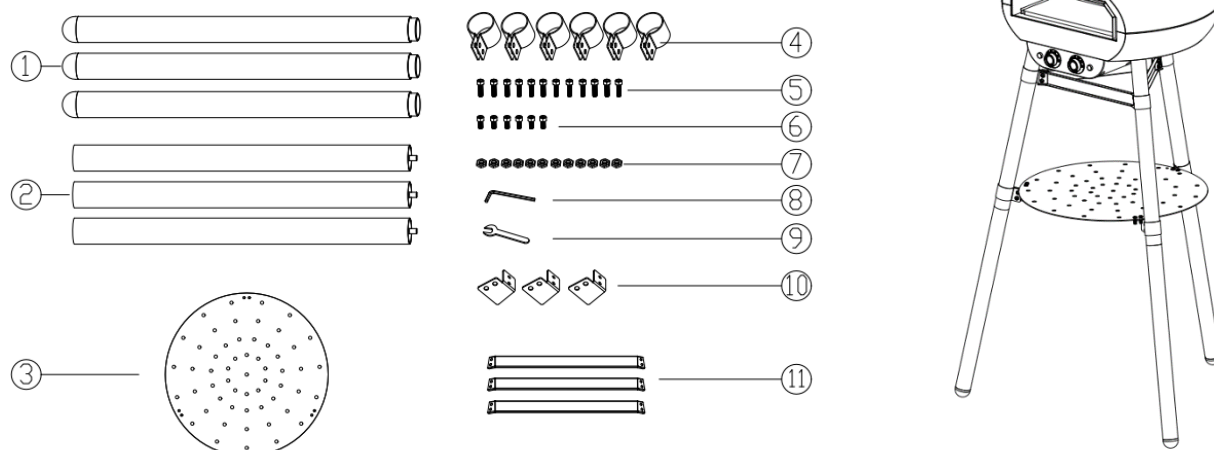
- This appliance is suitable for indoor use. When using outdoors, ensure that adequate shelter is provided to protect from rain and other adverse weather conditions.
- Remove and safely discard any packing materials and promotional labels before using the oven for the first time.
- To avoid choking hazard for children, remove and safely dispose of any protective cover fitted on the power plug.
- To protect against electrical hazards do not immerse the power cord, plug or oven in water or any other liquid.
- Do not use in the bathroom or near any source of water.
- Always use the appliance's handles or use oven gloves/mitts as some parts will be hot.
- The temperature of accessible surfaces/parts may become very hot when the appliance is operating and may remain hot for some time after the appliance has been switched off.
- This appliance is not intended for use by persons (including children) with reduced physical, sensory, or mental capabilities, or lack of experience and knowledge, unless they have been given supervision or instruction concerning use of the appliance by a person responsible for their safety. Place the oven on a horizontal surface at a height of at least 85 cm, out of the reach of children.
- Keep the oven and the power cord away from the edge of tables or counter-tops and out of reach of children and persons with reduced physical, sensory, or mental capabilities.
- This oven is not a toy. Children should be supervised to ensure they do not play with the oven.
- Do not leave this appliance unattended when in use.
- Always switch off and unplug from the power outlet when not in use.
- Always switch off and unplug from the power outlet and allow the oven to cool before cleaning.
- To disconnect, set controls to OFF. Switch off the wall power outlet, then grasp the plug and remove from wall power socket. Never pull by the cord.
- Do not operate this appliance with a damaged cord/plug or after the appliance has malfunctioned or been dropped or damaged in any manner. Contact Customer Service for replacement, examination, repair, or adjustment.
- There are no user serviceable parts. If power cord or appliance is damaged, it must be replaced by the manufacturer or similarly qualified person to avoid a hazard.
- Do not use on an incline or unstable surface.
- Do not move the oven while it is switched on.
- Do not cover the oven when in use.
- Oven gloves should be used when removing food items.
- Always take care when removing hot food items from the oven.
- Food may burn. Always monitor when using this appliance.
- Heat rises from the oven when in use. To avoid possible damage, do not use directly below overhead cupboards.
- Do not use the oven near or below any curtains or other combustible materials.
- Do not cook food items too large for the oven.
- Do not cook food wrapped in plastic film or polythene bags. It will cause a fire hazard.
- Do not place on or near any heat sources.
- Do not clean with metal scouring pads. Pieces can break off the pad and touch electrical parts, creating a risk of electric shock.
- Follow the instructions when cleaning this appliance.
- Do not use appliance for anything other than its intended purpose.
- Do not store any material, other than manufacturer's recommended accessories, in this oven when not in use.
- Do not place any of the following materials in the oven: paper, cardboard, plastic, and the like.
- Clean the oven regularly. Failure to do so may cause a fire hazard.
- Do not cover any part of this oven with metal foil. This will cause overheating of the oven.
- This appliance is not intended to be operated by means of an external timer or separate remote-control system.
- The appliance must be disconnected from the main outlet and allowed to cool down before cleaning any surfaces including internal racks.
- This oven was not designed to be built-in; It is a freestanding appliance.
- This oven has been designed for cooking food. It must not be used for any other purpose and must not be modified or tampered with in any way.

Technical Information

Power:	2000W	Voltage:	220-240V	Frequency:	50-60Hz	Fuse:	13amp
--------	-------	----------	----------	------------	---------	-------	-------

Weight:	21.5kg	Overall dims mm:	580x500x1300	Materials:	Steel body
Cable length mm:	1800	Chamber dims mm:	340x320x75	Stone dims mm:	320x320x10

Box Contents



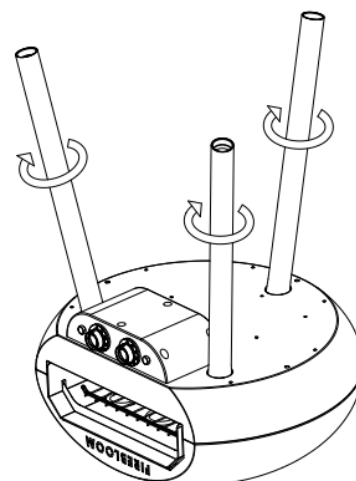
Along with the pizza oven unit, you will find the following items packed in the box. Please ensure all are retrieved before disposing of packaging.

Ref.	Name	Qty
1	Lower leg tube	3
2	Upper leg tube	3
3	Steel support disc	1
4	Locking ring	6
5	M6*20mm screw	12
6	M6*10mm screw	6
7	M6 nut	12
8	Spanner	1
9	Open-ended spanner	1
10	Disc hangers	3
11	Upper support bar	3

Assembly

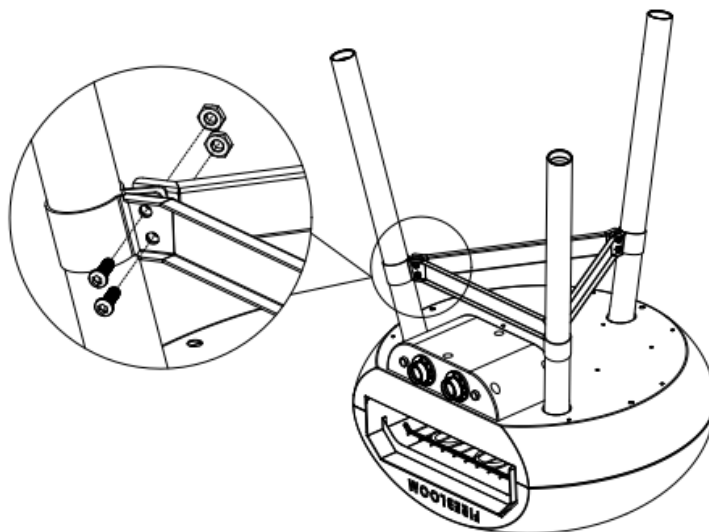
During assembly it is beneficial at some stages to place the oven upside down. It is advised to do so on a soft, clean surface such as a towel.

Step 1: Fix 3 upper leg tubes to the underside of the oven by screwing clockwise.

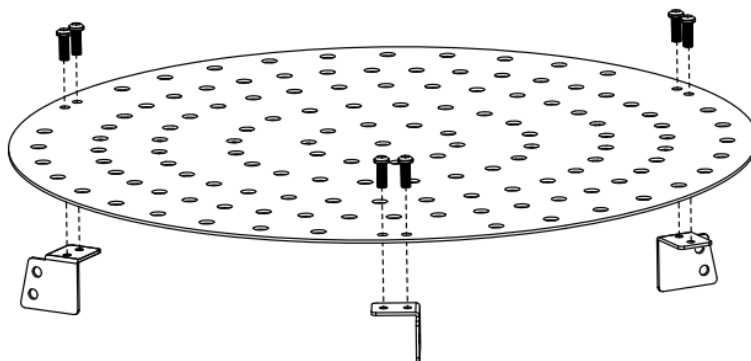


Assembly

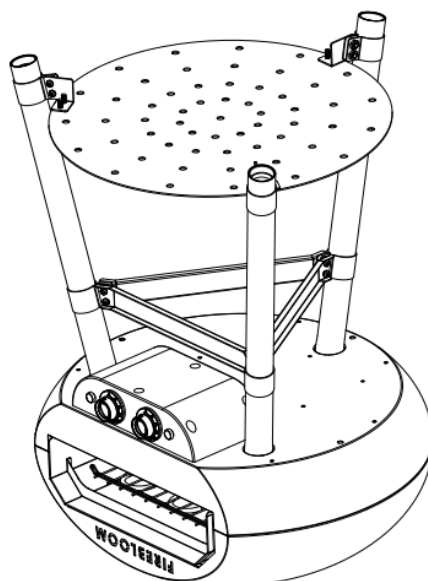
Step 2: Place 3 locking rings onto the upper leg tubes and connect using 3 upper support bars, securing with 6 M6*20mm screws and 6 M6 nuts. Tighten with a spanner.



Step 3: Fit 3 disc hangers to the steel support disc using 6 M6*10mm screws.

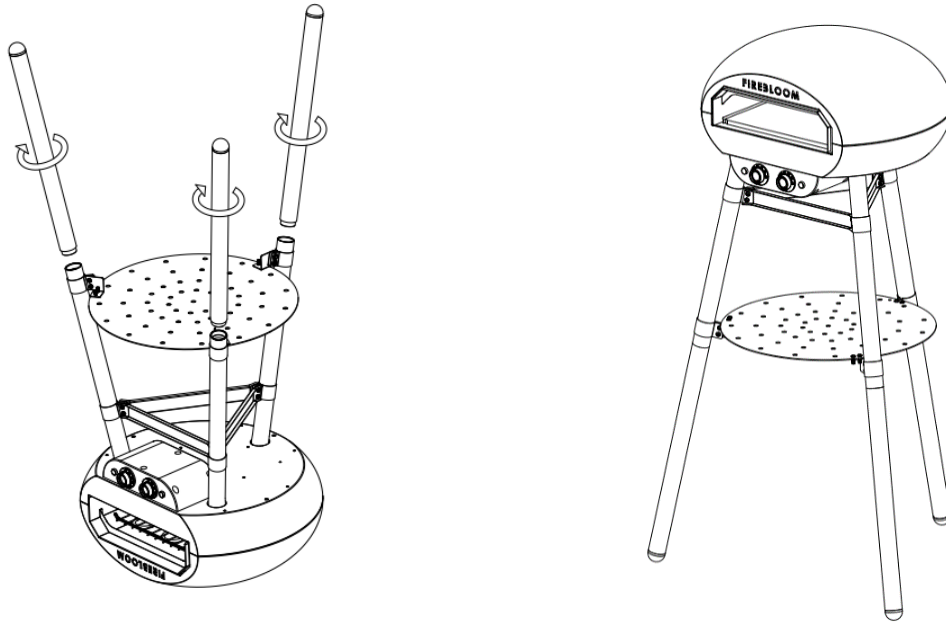


Step 4: Fix the steel support disc to the upper leg tubes using 3 locking disks and 6 M6*20mm screws with 6 M6 nuts. It is recommended that two persons perform this part to ensure the disk is fitted level in all directions. Tighten the nuts using a spanner.



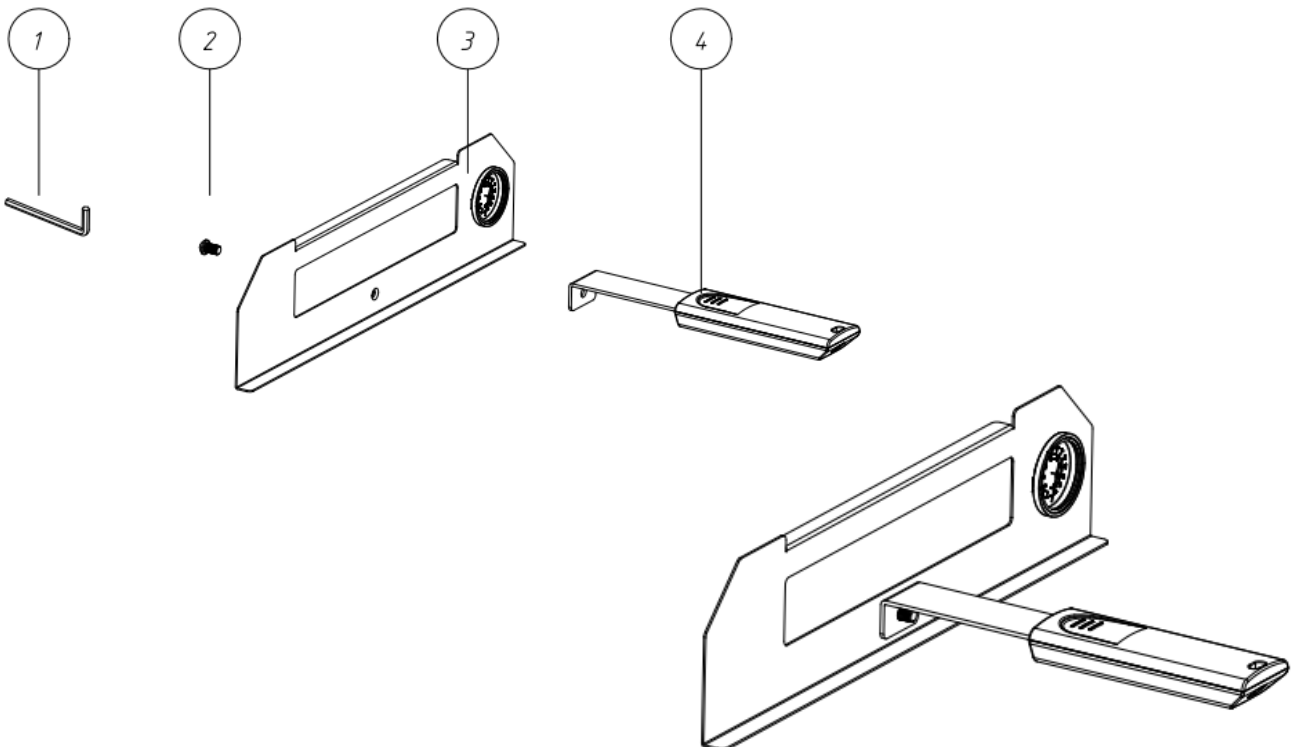
Assembly

Step 5: Fix 3 lower leg tubes to the upper leg tubes by inserting and screwing in a clockwise direction.



Door Assembly

Ref.	Name	Qty
1	"L" spanner	1
2	M6*6mm Screws	1
3	door	1
4	handle	1



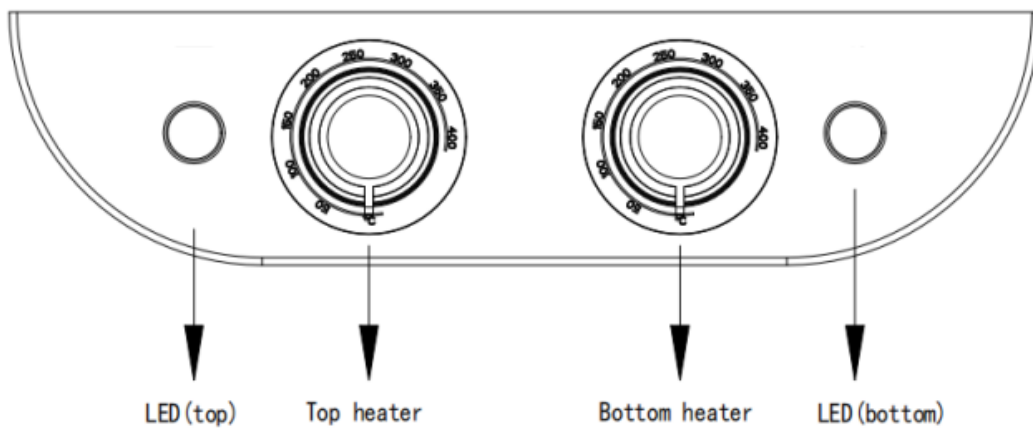
Before Your First Use

In order to remove any protective substances on the heating elements it is necessary to run the oven empty for 20 minutes. Ensure the area is well ventilated as the oven may emit vapors. These vapors are safe and are not detrimental to the performance of the oven.

1. Remove and safely discard, any packing materials, labels and tape from the oven.
2. Place the oven on a clean, flat, stable surface ensuring no flammable objects and materials nearby. Ensure there is a minimum distance of 150mm of space on both sides, and 150mm to the top of the oven.
3. Remove the pizza stone from its packaging. Gently wipe with a damp cloth. Dry thoroughly and place the pizza stone inside the oven.

Ready To Use

1. Unwind the power cord completely and insert the power plug into a grounded outlet.
2. Turn the top and bottom dials clockwise fully until the indicator lights turn on. Turn the dials clockwise to increase the oven temperature, turn the dials anti-clockwise to reduce the oven temperature.



3. You will need to preheat the oven for 15-25mins. During preheating, a closed door allows the oven to reach the target temperature faster. We recommend using an infrared thermometer to ensure the stone is up to 330°C
4. Start with small pizza with minimal toppings to get familiar with the oven. Different pizza styles require different temperatures.
5. We recommend using an infrared thermometer to check the pizza stone temperature. When the stone is up to 360° it is time to go!
6. Use a pizza peel to place the pizza directly onto the stone deck and turn the lower dial to 50-65% of max (the lower LED indicator will turn off). This way you lower the temperature of the stone whilst maintaining a hot chamber, thus avoiding a burnt base of your pizza.
7. Monitor the pizza during cooking, it takes about 90-120 seconds to complete.
8. You may turn the pizza half way through the process to make sure the pizza is cooked evenly. The back of the chamber is slightly warmer than the front so the pizza will cook faster at the back.
9. Remove your pizza and enjoy!

Clearance Requirements

Sides	90cm (36") minimum from combustible materials.
Back	90cm (36") minimum from combustible materials.
Front opening	120cm (48") minimum clear space.
Overhead	No combustibles or roof structures within 180cm (72") above the oven front opening.
Stand/base	Must be non-combustible (stone, brick, steel, concrete, etc.)

Cleaning And Maintenance

Before cleaning, ensure the oven and all accessories are cool, and then remove the power plug from the power outlet.

Cleaning The Outer Body

1. Wipe the outer body with a soft, damp sponge. A non-abrasive liquid cleanser or mild spray solution may be used to avoid build-up of stains. Apply the cleanser to the sponge, not the oven surface, before cleaning.
2. Do not use an abrasive cleanser or metal scouring pad as these will scratch the oven surface.
3. Let all surfaces dry thoroughly prior to inserting the power plug into a power outlet and turning the oven on.



WARNING: Do not immerse the body, power cord or power plug in water or any other liquid as this may cause electrocution.

Cleaning The Pizza Stone

1. In order to avoid damaging the stone, we highly recommend wiping the surface with a soft, damp sponge after each use.
2. If the stone needs to be removed for cleaning outside of the oven, we recommend handling the stone with extreme care.
3. The stone cannot be soaked or put in a dishwasher.
4. Always reinsert the stone into the oven after cleaning and prior to inserting the power plug into a power outlet and turning the oven on.
5. We recommend the pizza stone to be stored in a dry environment. The stone can absorb a lot of humidity, in case of outdoor storage make sure that you allow it to thoroughly dry before cooking a pizza.
6. Do not put it in the refrigerator since this can cause condensation to form inside the cavity where it rests.

Storage

1. The pizza oven must be completely dry and cool before attempting to move or store.
2. If you are located near the ocean or a body of salt water it is recommended to store indoors when not in use.
3. We recommend using a waterproof cover to protect from both moisture and dust. Make sure the pizza oven is cool before using a cover.

Troubleshooting

PROBLEM	SOLUTION
Pizza oven does not turn on.	<ul style="list-style-type: none">• Check that the power plug is securely inserted into the outlet.• Insert the power plug into a different outlet.• Check the fuse on the power plug.• Reset the breaker if necessary.
Steam is coming out of the pizza oven door.	<ul style="list-style-type: none">• This is normal. The door is vented to release steam created from high moisture content foods.• If moisture is found on the worktop around the base of the pizza oven, simply wipe it dry.
Smoke is coming out of the pizza oven.	<ul style="list-style-type: none">• This is normal during cooking due to the extreme high temperatures. To reduce this, try to limit the amount of flour/semolina used on your pizza peel. It is also recommended to use the oven in a well-ventilated area.

Warranty

Damage or defects resulting from neglect or improper use of the product is not covered by the warranty. The warranty does not cover force majeure such as lightning, flood, fire or damage occurred during transport. Warranty cover will be void, if the product's serial number has been changed, if any modifications have been made or if a repair has been attempted by any unauthorized service centre.

Typical Warranty Exclusions

1. Normal Wear and Tear

- Discoloration of stainless steel. Cosmetic scratches. Breakdown of consumable parts (e.g., gaskets, stones)

2. Improper Use or Operation

- Using the oven for commercial use when it's a residential model. Cooking materials other than food (e.g., burning wood not recommended by the manufacturer).
- Exceeding maximum temperature recommendations

3. Improper Installation

- Incorrect electrical connection. Not following clearance or ventilation requirements.

4. Lack of Maintenance / Incorrect Maintenance

- Failure to clean the oven properly. Using harsh chemicals that damage surfaces. Not descaling, brushing, or maintaining heating elements

5. Environmental Damage

- Rust or corrosion from being left outdoors without a cover. Water damage, mould, or weather related issues. Damage from pests or insects

6. Accidents or External Causes

- Drops, impacts, or transport damage. Fire damage unrelated to product defect. Power surges (for electric ovens)

7. Unauthorised Modifications or Repairs

- Using third-party parts or accessories. Altering safety devices. Repairs done by non-approved technicians

8. Commercial Use (if not intended)

- Not suitable for commercial use.

10. Non-Transferability

- Warranty usually applies only to the original purchaser and cannot be transferred.

DISPOSAL CONSIDERATIONS



The symbol shown here indicates that the product meets the requirements of the new directives introduced to protect the environment (2002/96/EC, 2003/108/EC, 2002/95/EC) and that it must be disposed correctly. Please check the specific regulations of the area where you live and look for the areas dedicated to waste the product. Anyone who does not dispose the product in the manner provided is liable according to the laws in force.

info@firebloomoutdoor.co.uk