



OPERATING INSTRUCTION MANUAL

Dimplex Optimyst Elsberry Inset Fire

These instructions should be read carefully and retained for future use. Note also the information presented on the appliance.

EN: This product is only suitable for well insulated rooms or occasional use. DE: Dieses Produkt ist nur für gut isolierte Bereiche oder gelegentliche Verwendung geeignet. FR: Ce produit convient uniquement à des endroits bien isolés ou pour un usage occasionnel. IT: Questo prodotto è adatto solo per spazi ben isolati o per uso occasionale. ES: Este producto sólo es adecuado para espacios bien aislados o un uso ocasional. NL: Dit product is uitsluitend geschikt voor goed geïsoleerde ruimten of voor sporadisch gebruik. PL: Produkt ten jest odpowiedni wyłącznie do dobrze odizolowanych miejsc lub do okazjonalnego użytku. NO: Dette produktet egner seg kun for godt isolerte rom eller sporadisk bruk. RO: Acest produs este adecvat exclusiv spațiilor bine ventilate sau utilizării ocazionale. CZ: Tento výrobek je vhodný pouze do dobře izolovaných prostor nebo k příležitostnému použití. DK: Dette produkt er kun egnet til velisolerede rum eller lejlighedsvis brug. PT: Este produto somente é adequado para espaços bem isolados ou uso ocasional. SE: Denna produkt är endast avsedd för välisolerade utrymmen eller tillfällig användning. FI: Tämä tuote soveltuu ainoastaan hyvin eristettyihin tiloihin tai satunnaiseen käyttöön. SK: Tento výrobok je vhodný len pre dobre izolované priestory alebo na občasnú úžitie. SI: Ta izdelek je primeren le za dobro izolirane prostore ali za občasno uporabo. HR: Ovaj proizvod je pogodan samo za dobro izolirane prostore ili povremenu upotrebu. HU: Ez a termék csak jól szigetelt terekhez vagy eseti használatra alkalmas



This product complies with all the required Product Safety, Electromagnetic Compatibility and Environmental Standards. This product is fully compliant with the LVD, EMC, RoHS and Eco Design Directives.

CAUTION: FAILURE TO FOLLOW THESE INSTRUCTIONS MAY CAUSE INJURY AND/OR DAMAGE AND MAY INVALIDATE YOUR GUARANTEE

Important Safety Advice

When using electrical appliances, basic precautions should always be followed to reduce the risk of fire, electrical shock and injury to persons, including the following:

- If the appliance is damaged, check with the supplier before installation and operation.
- Do not use this heater if it has been dropped.
- Do not use if there are visible signs of damage to the heater.
- Do not use outdoors.
- Do not use in the immediate surroundings of a bath, shower or swimming pool.
- Do not locate the appliance immediately below a fixed socket outlet or connection box.
- Use this heater on a horizontal and stable surface, or fix it to the wall, as applicable.

Warning: Do not use this heater in a small rooms when they are occupied by persons not capable of leaving the room on their own, unless constant supervision is provided.

Warning: To reduce the risk of fire, keep textiles, curtains, or any other flammable material a minimum distance of 1m from the air outlet

Warning: This heater must not be used for anything other than normal domestic household purposes in the country where it was purchased from a recognised commercial retailer.

This appliance can be used by children aged from 8 years and above and persons with reduced physical, sensory or mental capabilities or lack of experience and knowledge if they have been given supervision or instruction concerning use of the appliance in a safe way and understand the hazards involved. Children shall not play with the appliance. Cleaning and user maintenance shall not be made by Children without supervision.

Children of less than 3 years should be kept away unless continuously supervised. Children aged from 3 years and less than 8 years shall only switch on/off the appliance provided that it has been placed or installed in its intended normal operating position and they have been given supervision or instruction concerning use of the appliance in a safe way and understanding the hazards involved. Children aged from 3 years and less than 8 years shall not plug in, regulate and clean the appliance or perform user maintenance.

Warning: This appliance must be earthed.

The use of an extension lead or multi-plug adaptor is not advised when connecting this product to the mains. Connection through these devices could lead to a risk of overloading, overheating and even fire at the extension lead or adaptor due to inadequate connection quality.

This heater must be used on an ~alternating current supply (~) only and the voltage marked on the heater must correspond to the supply voltage.

Do not use this appliance in series with a thermal control, a program controller, a timer or any other device that switches on the heat automatically, since a fire risk exists when the appliance is accidentally covered or displaced.

DO NOT use the heater on deep pile carpets or the long hair type of rugs, or less than 750mm (30") away from any overhanging surface. Keep combustible materials such as drapes and other furnishings clear from the front, sides and rear of the heater. Do not use heater to dry your laundry.

In the event of a fault unplug the appliance. Unplug the appliance when not required for long periods.

The appliance must be positioned so that the plug is accessible. If the supply cord is damaged it must be replaced by the manufacturer or service agent or a similarly qualified person in order to avoid a hazard. Keep the supply cord away from the front of the appliance.

Caution: Some parts of this product can become very hot and cause burns. Particular attention has to be given where children and vulnerable people are present. This instruction can be found at www.dimplex.co.uk

Warning: In order to avoid overheating, do not cover the appliance. Do not place material or garments on the appliance, or obstruct the air circulation around the appliance, for instance by curtains or furniture, as this could cause overheating and a fire risk.

The appliance carries a DO NOT COVER warning

Warning: In order to avoid a hazard due to inadvertent resetting of the thermal cut-out, this appliance must not be supplied through an external switching device, such as a timer, or connected to a circuit that is regularly switched on and off by the utility.

WARNING: KEEP BATTERIES OUT OF REACH OF CHILDREN

1. Swallowing may lead to serious injury in as little as 2 hours or death, due to chemical burns and potential perforation of the oesophagus.
2. If you think batteries might have been swallowed or placed inside any part of the body seek immediate medical attention
3. Examine devices and make sure the battery compartment is correctly secured, e.g. that the screw or other mechanical fastener is tightened. Do not use if the compartment is not secure.
4. Dispose of used button batteries immediately and safely. Flat batteries can still be dangerous.



CAUTION: No obvious symptoms

Unfortunately, it is not obvious when a button or coin battery is stuck in a child's oesophagus (food pipe).

There are no specific symptoms associated with this. The child might:

- cough, gag or drool a lot;
- appear to have a stomach upset or a virus;
- be sick;
- point to their throat or stomach;
- have a pain in their abdomen, chest or throat;
- be tired or lethargic;
- be quieter or more clingy than usual or otherwise "not themselves";
- lose their appetite or have a reduced appetite; and
- does not want to eat solid food/be unable to eat solid food.

These sorts of symptoms vary or fluctuate, with the pain increasing and then subsiding.

A specific symptom to button and coin battery ingestion is vomiting fresh (bright red) blood. If the child does this seek immediate medical help.

The lack of clear symptoms is why it is important to be vigilant with "flat" or spare button or coin batteries in the home and the products that contain them.

Dimplex Optimyst Inset Fire

Models: Elsbery Antique Brass, Elsberry Black, Elsberry Brass, Elaberry Chrome

Thank you for choosing a Dimplex electric fire

General Information

The fire incorporates a flame effect, which can be used with or without heating, so that the comforting effect may be enjoyed at any time of the year.

A fan heater can provide heating in cold weather. A distance of 1 metre (3 feet) must be maintained between the front of the heater and any surrounding furniture, overhanging curtains or other obstructions.

To reduce heat loss and to prevent any chimney up draft affecting the operation of your inset fire we recommend the chimney flue is sealed off.

Always ensure that the appliance is sitting on a level surface.

Before connecting the appliance, check that the supply voltage is the same as that stated on the appliance.

Only use filtered water in this appliance.

Once installed, never move this appliance or lay it on its back, without draining the water from sump and water tank. The water tank, sump, sump lid, tank cap and air filters must be cleaned once every week, particularly in hard water areas. If you intend not using the appliance for longer than a week, drain the water from sump and water tank and dry the sump.

Please note: Used in an environment where background noise is very low, it may be possible to hear a sound which is related to the operation of the flame effect. This is normal and should not be a cause for concern.

The sump and the water tank in this product are treated with a biocidal product, Silver Biocide in order to control harmful or unwanted organisms. This conforms with the latest relevant ISO standard. Do not drink the water from the sump or from the water tank(s)

Technical Information

Model No: ELS20AB-LED-UK, ELS20BL-LED-UK, ELS20BR-LED-UK, ELS20CH-LED-UK

Heat Output		230V	240V	
Nominal Heat Output	P_{Nom}	1.8	2.0	kW
Minimum Heat Output	P_{min}	0.9	1.0	kW
Maximum Continuous Heat Output	P_{max}	1.8	2.0	kW
Flame Output		90	100	W
Auxiliary Electricity Consumption				
In Standby Mode	P_{Nom}	0.45	0.48	W

with electronic room temperature control.

Installation Instructions

This heater must be used on an AC ~ supply only and the voltage marked on the heater must correspond to the supply voltage. Before switching on, please read the safety warnings and operating instructions. Please retain this user's guide for future reference

Before installing this appliance in an existing chimney, we recommend that;

1. You have your chimney cleaned by a competent chimney sweep.
2. You block off the chimney flue.

This procedure is important for the efficient operation of the heating unit and will also reduce heat loss up the chimney.

Ensure that all packing items are removed (read any warning labels carefully). Retain all packing for possible future use e.g. in the event of moving or returning the appliance to your supplier.

Installing the Appliance;


1. Clean the area where the fire will be installed e.g remove ash residue from an existing fireplace.
2. Hold the fire by the sides of surround and gently manoeuvre into position.
3. Plug the fire into a 13amp/240 volt outlet. Ensure that the supply cable is not trapped under the fire such that it might cause it to be damaged.
4. Ensure that the draft excluder (rubber strip) is fitted to the channel on the base of the product.

Connecting the Transducer

1. Gently lift out the fuelbed and carefully set aside. (Fig 3)
2. Remove the water tank by lifting upwards and outwards. (Fig 4)
3. Remove the nozzle by unclipping and lifting upwards and outwards. (Fig 5)
4. The transducer will be inside the sump. Remove from its bag.
5. Place the Transducer unit into the sump and make the connection.
6. Locate the tab on the Transducer unit into the moulded recess in the base of the sump (Fig 6)
7. Ensure that the cable does not obstruct the Transducer disc. To prevent the cable becoming pinched between the nozzle and the sump, place the cable in the slot in the wall of the sump. (Fig 7)

Filling the Water Tank

1. Gently lift out the fuelbed and carefully set aside.
2. Remove the water tank by lifting upwards and outwards.
3. Place the water tank in sink and remove cap, Anti-clockwise to open. (Fig 8)
3. Fill tank with filtered tap water only. This is necessary to prolong the life of the flame and smoke producing unit. The water should be filtered through a conventional domestic water filter unit and the filter should be replaced regularly.
6. Screw the cap back on, do not over tighten.
7. Return the tank to the sump, with the tank cap facing down
8. Gently place the fuelbed back into position.

When the water tank is empty, the flame and smoke effect shuts off, you will hear 2 audible beeps and the digital display will display 

Operating The Product

WARNING: FAILURE TO FOLLOW THESE OPERATING INSTRUCTIONS MAY RESULT IN INJURY AND/OR DAMAGE.

Manual Controls

The manual controls are located on the glass panel at the top of the product. (Fig 2). Trace your finger across the glass panel from left to right. This will light up the buttons

[ON] is the on/standby button. Press it once to turn on the product. Press it again to turn off the product. When turned on a 'beep' will sound and the digital display will show **-ON-** followed by the current room temperature. The display will then turn off. The fuelbed will light up. Be careful not to look directly into the fuelbed as the LED lights are very bright. It will take a approximately 45 seconds before the flame effect starts.

[M] is the Mode button.

Press it once and you will be in the **HEAT** options. The display will show the current setting. Using the **[+]** and **[-]** buttons you can turn the heat on at the **-LO-** or **-HI-** setting and turn the heat OFF. You will hear two 'beeps' for **-LO-** heat setting, three 'beeps' for **-HI-** heat setting and one 'beep' when the heat is turned off.

Press it a second time and you will be in the temperature set mode **-°C-**. The display will show the current room temperature and then the set point temperature. Using the **[+]** and **[-]** buttons you can adjust the set point temperature up and down. Note: if the set point temperature is below the room temperature the heat function will not operate. The temperature range is from 15-35°C

Press it a third time and you will be in the Fire mode. The display will show **FIRE** followed by the current fire effect setting. There are six fire settings. Using the **[+]** and **[-]** buttons you can adjust the height of the flame effect.

Press it s fourth time and you will be in the Fire Sound Volume mode. The display will be **VOL** followed by the current volume setting. There are seven volumen settings from OFF to L6. Using the **[+]** and **[-]** buttons you can adjust the sound.

Press M	Display	Function	Press + or -		
Once	HEAT	Controls the fan heater	Off	Low	High
Twice	-°C-	Thermostat	From 15 °C		To 35 °C
Three times	FIRE	Flame intensity	From F1 (low)		To F6 (high)
Four Times	VOL	Fire Sound	Off	VOL1	VOL6

Setting the Thermostat

Plug in the product and press **[ON]** to turn it on. Press the **[M]** button twice to enter the temperature set mode **-°C-**. The current room temperature will be displayed (e.g. r23C) followed by the current set point room temperature (e.g. 26C). Press the **[+]** and **[-]** buttons to select your set point room temperature. Allow the display to turn off. Press the **[M]** button once to enter the Heat option. Press the **[+]** and **[-]** buttons to select either **-L-** or **-H-** heat output. The heater will turn on when your set point room temperature is higher than the room temperature.

Thermal Safety Cut-out

A thermal safety cut-out is incorporated in the fan heater to prevent damage due to overheating. This can happen if the heat outlet was restricted in any way. If the cut-out operates, unplug the heater from the socket outlet and allow approximately 10 minutes before reconnecting. Before switching the heater back on remove any obstruction that may be restricting the heat outlet, then continue normal operation.

CAUTION: In order to avoid a hazard due to inadvertent resetting of the thermal cutout, this appliance must not be supplied through an external switching device, such as a timer, or connected to a switch that is regularly switched on and off by the utility.

Getting the Desired Flame Effect


1. Using the manual controls or the remote control choose a F1 F6 setting between F1 and F6. F1 being the lowest setting and F6 being the highest setting.
2. Generally the flames appear more realistic when the flame control is turned down.
3. Give the flame generator time to react to changes you may make.
4. The fire will use less water if the flame effect is set to a lower level.
5. Do not tilt or move the fire while there is water in the tank or sump.
6. Make sure that the fire is on a level floor.

Remote Control

The product is supplied with a multifunction Bluetooth remote control. The remote control comes with batteries fitted. Pull out the plastic pull tabs completely in order to engage the batteries.

To replace the batteries:









1. Remove battery cover of the remote control using a Philips screwdriver. (See Fig 12)
2. Correctly install two 3 Volt (CR2032 or similar) battery in the battery holder with the + side facing up.
3. Secure the battery cover using the previously removed screw.


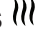








 Batteries must be recycled or disposed of properly. Check with your Local Authority or Retailer for recycling advice in your area.

Frequency band(s) this product operates in: 2.4GHz

Maximum radio-frequency power transmitter in the frequency band(s) this product operates in: 2.71dBm

This section describes how to activate your fire using the remote control.

	Standby	Press  to turn on the unit or to put it in standby mode. There is a brief delay after pressing  before the unit turns on. When the unit is turned on, there is a 45-second warm-up sequence before the flame effect starts.
	Timer	Press  repeatedly to set the duration of the timer. The fireplace goes into standby after the time has elapsed. The timer can be set from 30 minutes (display shows 0.5Hr) to 8 hours in intervals of 30 minutes. To turn the timer off, press  after 8 and the display indicates OFF. While the timer is active, press the timer button to see the time remaining
	Heat Mode Selection	Press  repeatedly to cycle through the different heat modes: -LO-: The heater is on and is functioning at half heat output. -HI-: The heater is on and is functioning at full heat output.

	Heat	Press  to turn the heat on or off. When the heat is turned on, the display briefly indicates the set temperature (##ST), followed by the ambient room temperature. When the heat is turned off, the fan continues to operate for a further 30 seconds to dissipate residual heat.
	Increase Temperature	Press  to increase the temperature setting. The temperature can be set from 15° C to 30° C (59° F to 86° F).
	Decrease Temperature	Press  to decrease the temperature setting. The temperature can be set from 15° C to 30° C (59° F to 86° F).
	Increase Flame Intensity	Press  to increase the flame intensity. Flame intensity range F1-F6.
	Decrease Flame Intensity	Press  to decrease the flame intensity. Flame intensity range F1-F6.

Maintenance

General Tips

Only use filtered tap water in this appliance.


Always ensure that the appliance is sitting on a level surface.

If you intend not using the appliance for longer than a week, remove and empty the sump and water tank.

Once installed, never move this appliance or lay on its back, without draining the water from sump and water tank.

The transducer is a consumable item and may need to be replaced through time, the frequency of replacing the part will depend on the products usage, water quality and maintenance. When purchasing spare parts, please use genuine Dimplex spares.

Cleaning

Warning – Always press  to turn off the product and disconnect the product from the power supply before cleaning the fire. Leave the appliance for 10 minutes to allow the product to cool down.

We recommend cleaning the following components once every week, particularly in hard water areas:

Water Tank, Sump, Nozzle, Tank cap and seal, Air filter.

For general cleaning use a soft clean duster – never use abrasive cleaners.

To remove any accumulation of dust or fluff, the soft brush attachment of a vacuum cleaner should occasionally be used to clean the outlet grille of the fan heater.

Water Tank

1. Remove water tank, as described earlier, put into sink and empty water.
2. Using the supplied brush gently rub the inside surfaces of the cap paying particular attention to the rubber ring in the outer groove and the center rubber seal.
3. Put a small quantity of washing up liquid into the tank, refit the cap and shake well, rinse out until all traces of washing up liquid are gone.
4. Refill with filtered tap water only, replace the cap, do not over tighten.

Sump

Press  to put the product into standby

Gently lift out the fuelbed and place carefully on the ground.

Remove the water tank by lifting upwards.

Remove the sump lid, this allows the sump to be lifted completely from its location. (Fig 5)

Gently lift up the sump, taking care to keep level so as not to spill any water. Sit the assembly in the sink.

Carefully tilt so that the liquid drains out of the sump.

Put a small amount of washing up liquid into the sump, and using the supplied brush, gently clean all surfaces including the metal disc (Fig 9)

When cleaned, thoroughly rinse the sump with clean water.

Clean the outlet surface of the sump lid with the brush and flush out thoroughly with water.

Reverse the above steps to reassemble.

Air Filter

1. Press  on the remote control or on the product to turn it off

2. Gently lift off the fuelbed and set aside

3. Remove the tank and place in a sink with the cap facing upwards.

4. Gently slide up the air filter (Fig. 10)

5. Gently rinse with water in the sink and dry with fabric towel before returning.

6. Replace the filter making sure that the coarse black filter is in contact with the plastic holder.

7. Replace the tank.

8. Replace the fuelbed.

9. Press  to turn on the product

General Cleaning and Maintenance

The outside can be cleaned by wiping it over with a soft damp cloth and then dried. Do not use abrasive cleaning powders or furniture polish, as this can damage the surface finish.

CAUTION: Repair of this heater must be carried out by Dimplex or its authorised agent.

CAUTION: We recommend that you arrange for this heater to be checked annually for safety by a qualified electrician.

Additional Information

After Sales Service

Your product is guaranteed for two years from the date of purchase.

Within this period, we undertake to repair or exchange this product free of charge provided it has been installed and operated in accordance with these instructions.

Your rights under this guarantee are additional to your statutory rights, which in turn are not affected by this guarantee.

Should you require after sales information or assistance with this product or need to purchase spare parts please speak to your retailer, the place of purchase, in the first instance.

Please retain your receipt as proof of purchase.

For further help and support visit www.dimplexfires.com

Recycling

At the end of the electrical products useful life it should not be disposed of with household waste. Please recycle where facilities exist. Check with your Local Authority or retailer for recycling advice in your area.

Patent / Patent Application



Products within the Optimyst range are protected by one or more of the following patents and patent applications:

Great Britain GB2460259B, GB2475794B, GB2418014, EP2029941, GB2436212, GB2402206B

United States US8413358, US8136276, US7967690, US8574086

Russia RU2434181

European EP2029941, EP2315976, EP1787063 (A1), EP2388527

China CN101883953A, CN102105746A, CN101057105 (A), CN101438104

Australia AU2009248743A1, AU2007224634

Canada CA2725214, CA2579444, CA2645939

South Africa ZA2008/08702

Mexico MX2008011712

South Korea KR101364191

Japan JP5281417, JP5496291

Brazil BRP10708894

India 4122/KOLNP/2008

New Zealand NZ571900

Troubleshooting

Symptom	Cause	Corrective Action
The flame effect will not start.	Mains plug is not plugged in. Low water level. Display showing CD52 The Transducer Unit is not sitting correctly in the sump	Check plug is connected to wall socket correctly. Check that the water tank is full and there is water in the sump. Ensure the Transducer is sitting down into the moulded recess in the sump
The flame effect is too low.	Flame effect control is set too low. The white Disc in the transducer might be dirty The wire from the Transducer Unit is sitting over the metal disc	Increase level of flame by using the manual controls or the remote control Clean the white Disc with soft brush supplied. (See Fig.9) See 'Maintenance.' for a step by step procedure. Direct the wire to the back of the sump and make sure it sits into the side slot exiting the sump.
Unpleasant smell when unit is used.	Dirty or stale water. Using unfiltered tap water.	Clean the unit as described under maintenance. Use only filtered tap water.
The flame effect has too much smoke.	Flame effect setting is too high.	Reduce the flame effect using manual controls or remote control (refer to, 'Operating the Fire' section). Give the flame generator some time to adjust to the new setting.
There are no flames or smoke.	There is no water in the water tank	Follow instructions under Maintenance , 'Filling the water tank'. Check the plug is connected to the wall socket correctly.

Fig. 1a

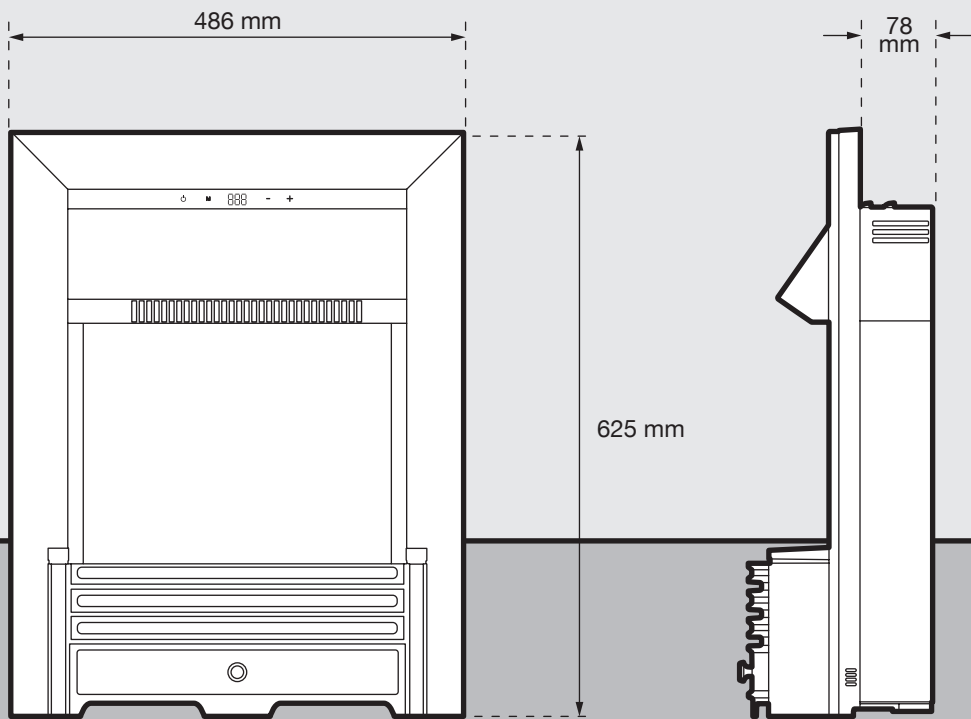


Fig. 2

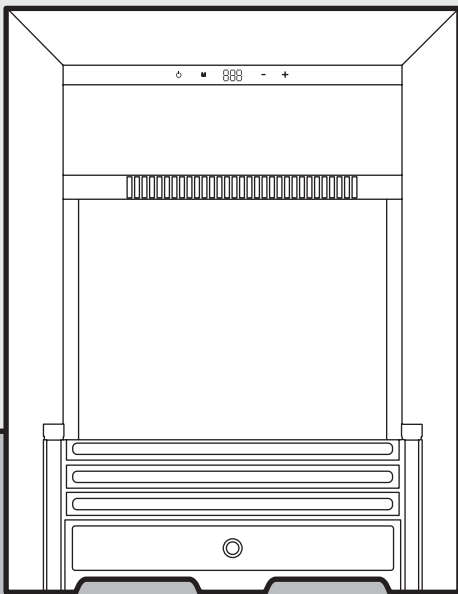


Fig. 1b

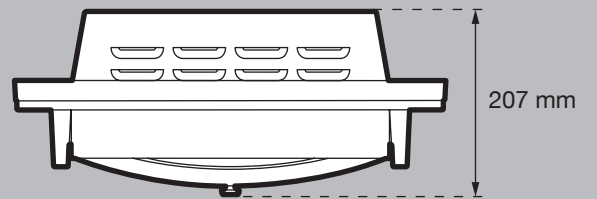


Fig. 3

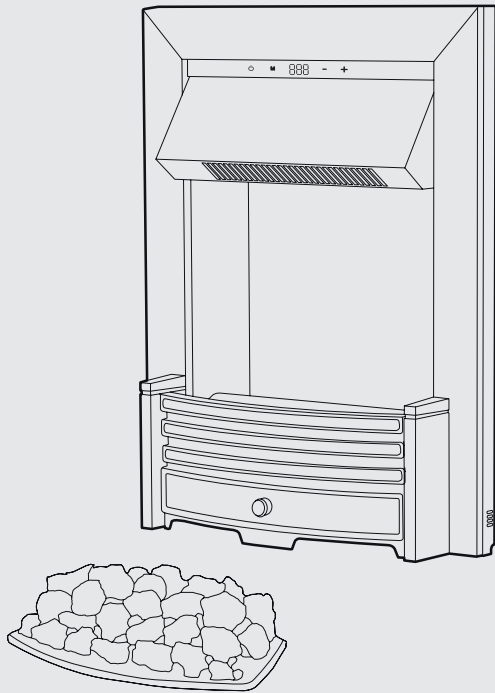


Fig. 4

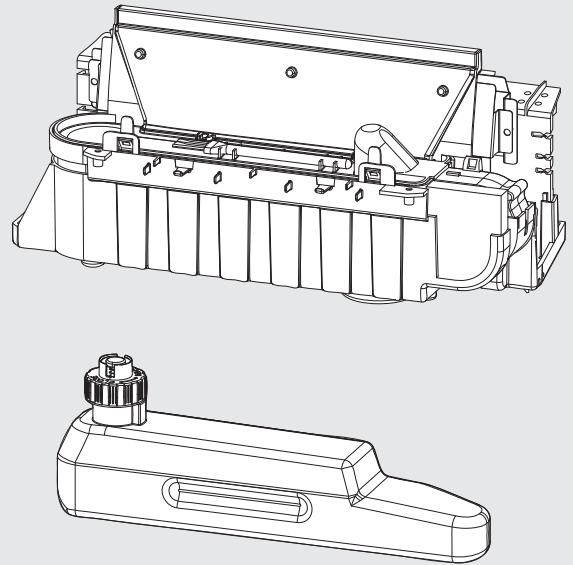


Fig. 5

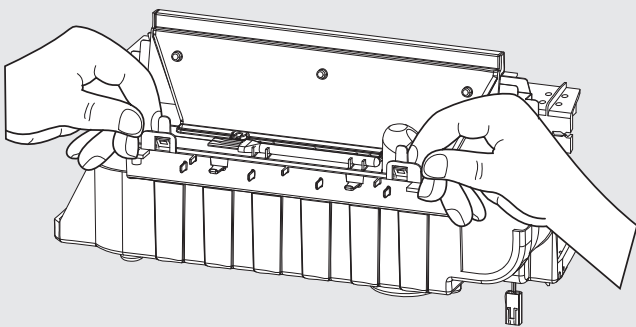


Fig. 6

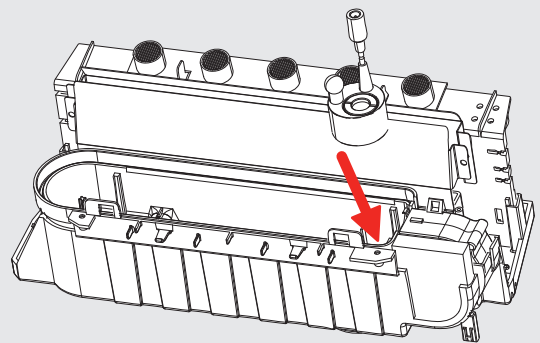


Fig. 7

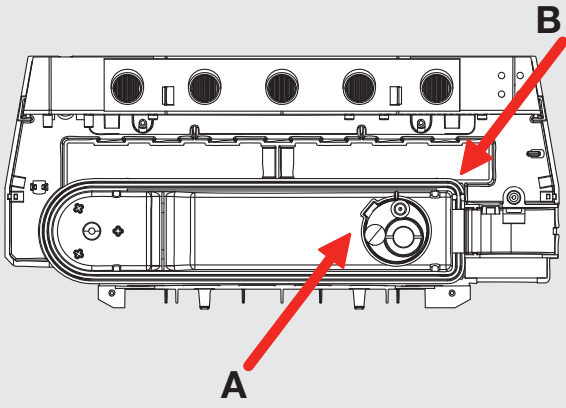


Fig. 8

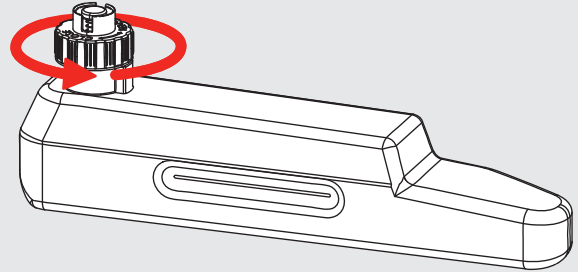


Fig. 9

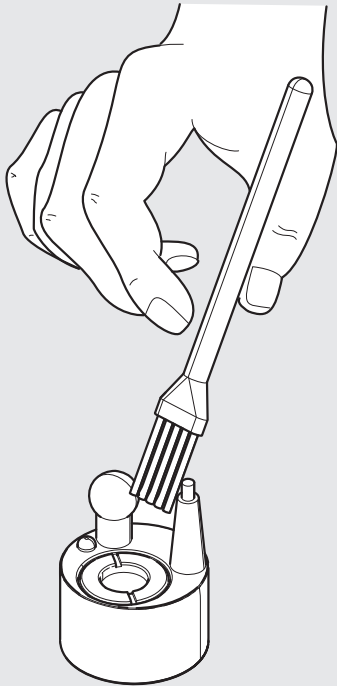
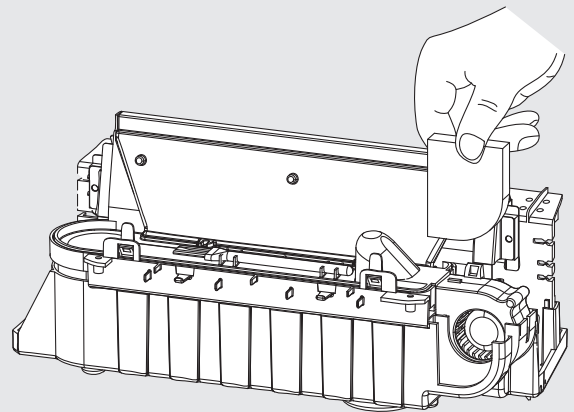


Fig. 10





Dimplex, Millbrook House, Grange Drive, Hedge End, Southampton, SO30 2DF

Tel: 0344 879 1227
Republic of Ireland Tel: 01 8428 222
www.dimplexfires.com