

# bemodern

FIRES | FIREPLACES

P R  Z M

REVOLUTIONIZING FLAMES

## Camino- Chimney Breast Plinth/ No Plinth Options



## Instructions for installation

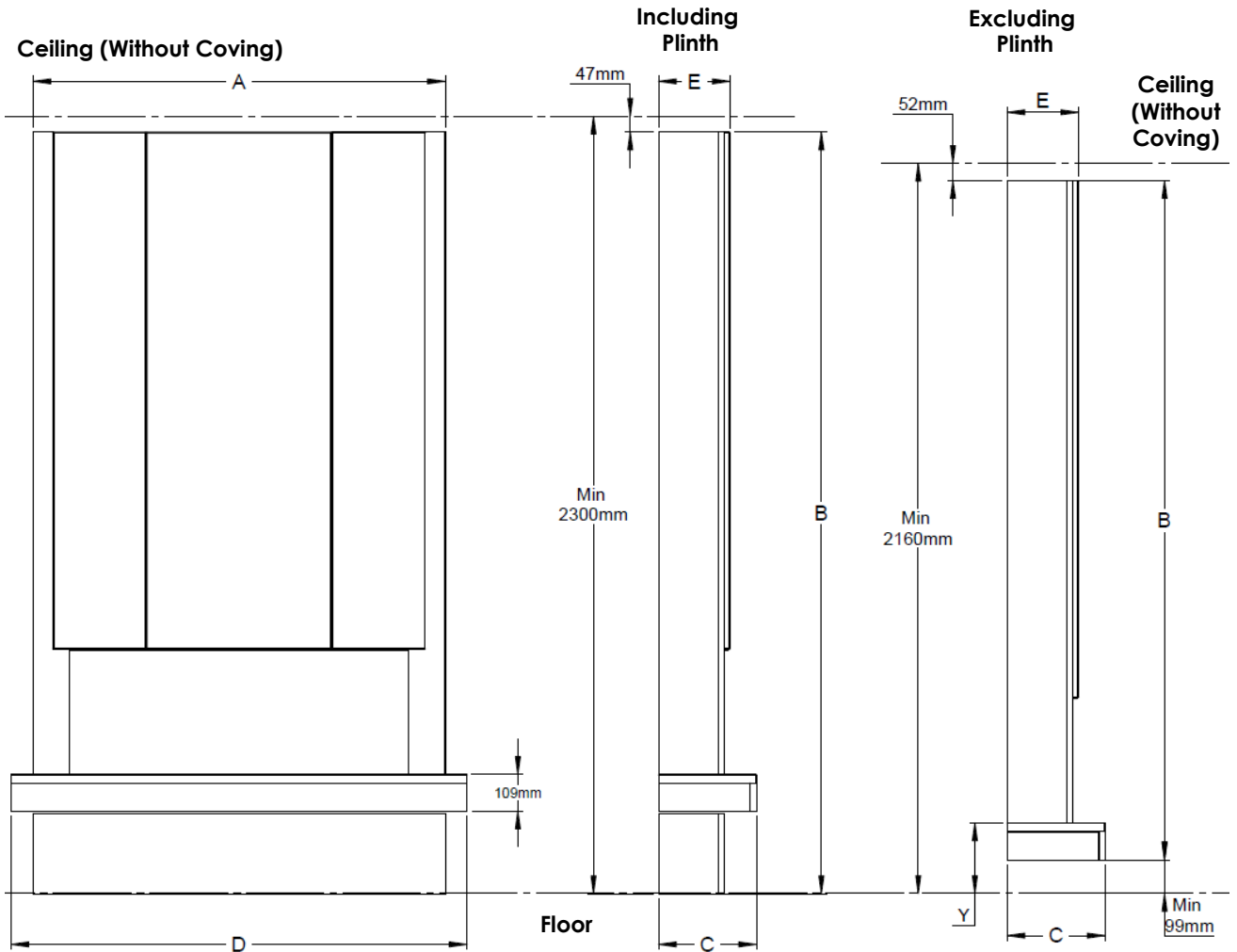
Patent pending  
UK Registered Design

## Contents

---

Technical Specification	3
What is in the Boxes	4 – 5
Installation- Introduction	5
Installation- <b>Including</b> Optional Plinth	6
Installation- <b>Excluding</b> Optional Plinth	7
Assembly- Hanging System	8
Assembly- Decorative Panel	9-11
Assembly- Framework	12-13
Assembly- Hearth	13
Assembly- Hearth & Framework	14
Installation- Fixing To The Wall	15-16
Installation- Fixing The Fire	17
Installation- Fitting The Decorative Panels	18
Maintenance / Troubleshooting	19

# Technical Specification



**Note:** All dimensions stated above are the minimum requirements for installation in rooms without coving installed. The chimney breast can be installed in rooms with ceiling heights greater than these dimensions. For installation excluding the plinth adjust the installation dimensions on Page 7 accordingly and for installation including the plinth follow the installation dimensions on Page 6.

Fire	Description	Logs	Dimensions				
			A	B	C	D	E
53" CAMINO CHIMNEY BREAST PRYZM 5D 1000L	<b>Timber</b> Wall mounted: <b>Excluding Plinth</b>	4 LRG	1220mm	2009mm	290mm	1350mm	212mm
53" CAMINO CHIMNEY BREAST PRYZM 5D 1000L	<b>Timber</b> Floor standing: <b>Including Removable Plinth</b>	4 LRG	1220mm	2253mm	290mm	1350mm	212mm

## What Is In The Boxes?

### **Box- 024287**

1000L PRYZM Fire Engine x 1, Logs x 4, Fire Remote x1

### **Box -031658**

Optional Plinth x 1

### **Box- 029920**

Component "A" Wall Fixing Panel x 1  
 Component "B" Light Bleed Cover x 1  
 Component "C" Large Decorative Panel x 1  
 Components "D" & "E" Small Decorative Panel x 2  
 Component "F" Panel Top Fixing Rail x 1  
 Component "G" Panel Bottom Fixing Rail x 1  
 Component "H" Heat Deflector x 1

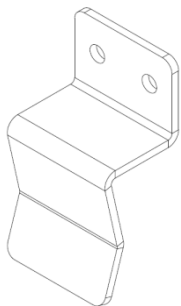
### **Box- 029890**

Components "J" & "K" Assembled Column Front and Sides x 2

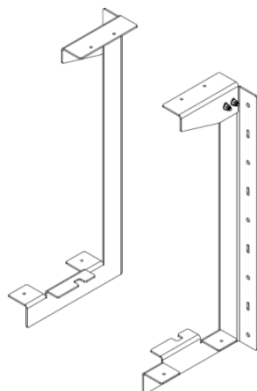
### **BOX – 029882**

Component "L" Front Top Fixing Rail x 1  
 Component "M" Rear Fixing Rail x 1  
 Component "N" Front Bottom Fixing Rail x 1  
 Component "P" Assembled Floating Hearth with Pre-installed LED Lights x1

Also included in **Box 029882** are two smaller boxes with all the hardware (pins and dowels etc.), the plug and remote for the pre-installed under hearth lighting and the two wall hanging brackets for hanging the fire. **See below and overleaf.**



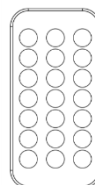
4 X  
Locating Clips



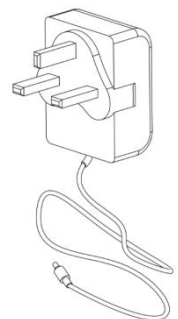
2 X  
Fire Mounting Brackets



1 X  
CR2025 3V Battery For  
Remote

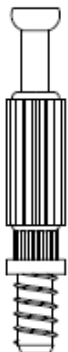


1 X  
Remote For Under  
Hearth Lighting



1 X  
Plug For Under  
Hearth Lighting

## What Is In The Boxes *Continued...*



**18 X**  
6 Ø x 34mm  
Pins



**30 X**  
No.8 x15mm  
Domed-Head  
Screws



**12 X**  
No.8 x 30mm  
C/Sunk Screws



**12 X**  
8 Ø x 30mm  
Dowels



**4 x**  
3.5mm X 9.5mm  
Pozi Flange Head Screws

Please ensure all fixings are present before commencing installation. If anything is missing please call Customer Services on 01914300901 or email us at [customerservices@bemodern.co.uk](mailto:customerservices@bemodern.co.uk)

## Installation – Introduction

**Note: The chimney breast is a two adult person lift. A second person will be required to lift and support the chimney breast during installation.**

Before the chimney breast can be installed, consideration will need to be given to routing the power supply to the fire. This will affect the stages of the installation process. We advise a qualified electrician conduct any electrical parts of the installation.

**Note: A double wall socket is required for the operation of the chimney breast.**

Unpack your new chimney breast and locate the Wall Fixing Panel- **Component “A”- Box 029920**. The Wall Fixing Panel- is to be used so the weight of the components can be distributed across a larger area and enable the installer to achieve a good solid fix to the wall in various points across the panel as detailed in the following instructions.

The first step to installation will be the fitment of the Wall Fixing Panel- **Component “A”**, in the desired position in the room. The installation procedure will be dependant on the variation of chimney breast purchased.

Installation **including** an optional plinth- Minimum ceiling height required is 2300mm.  
**Follow Diagram 1- Page 6, then continue to Page 8**

Installation **excluding** an optional plinth- Minimum ceiling height required is 2160mm.  
**Follow Diagram 2- Page 7, then continue to Page 8**

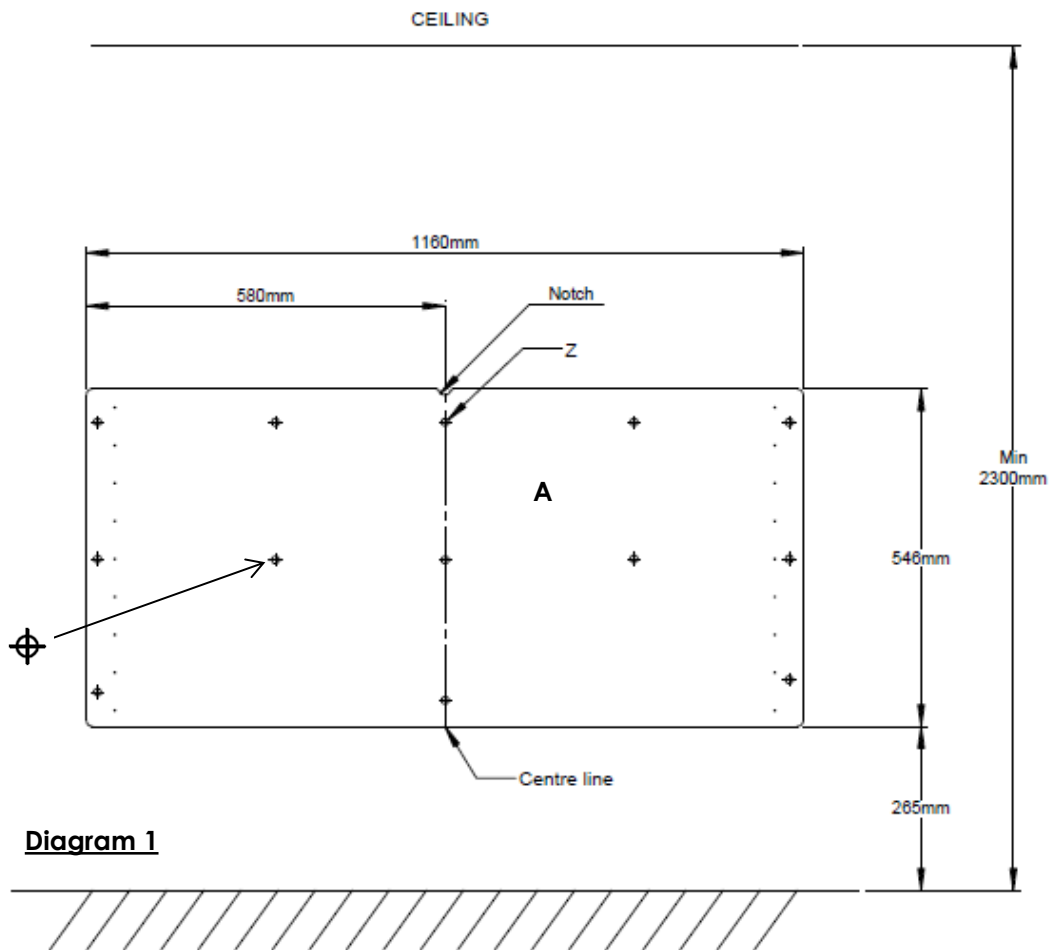
## Installation – Including Optional Plinth

Minimum Ceiling Height Required- 2300mm (As shown on Page 3)

If fixing into a stud wall, locate the studs and consider positioning the Wall Fixing Panel over as many studs as possible.

Minimum of 2 studs recommended, as well as the 13 additional fixings points  $\oplus$ , as detailed in Diagram 1. Please note suitable fixings for the wall medium should be used. See important notes Page 15.

Note: All dimensions stated are the minimum requirements for installation including an optional plinth. Component “A” must be installed from the floor at 265mm, as detailed in Diagram 1, even if the ceiling height is greater than 2300mm.



Mark a centre line on Wall Fixing Panel- **Component “A”**-as shown in **Diagram 1**.

Decide on the installation location of the chimney breast and fix the **Wall Fixing Panel** using the recommended dimensions and fixing points, **as shown in Diagram 1**.

Position the panel on the wall and mark- **Position Z**, drill and temporarily fix. Ensuring the panel is level and plumb, mark and drill the additional fixing points.  $\oplus$  Finally fix into position, depending on the wall medium it may be necessary to plug the drilled holes. **See important notes Page 15**.

**Note: The accuracy and fixing of this panel is critical to the whole installation process- Ensure the Wall Fixing Panel- is plumb and level before proceeding further.**

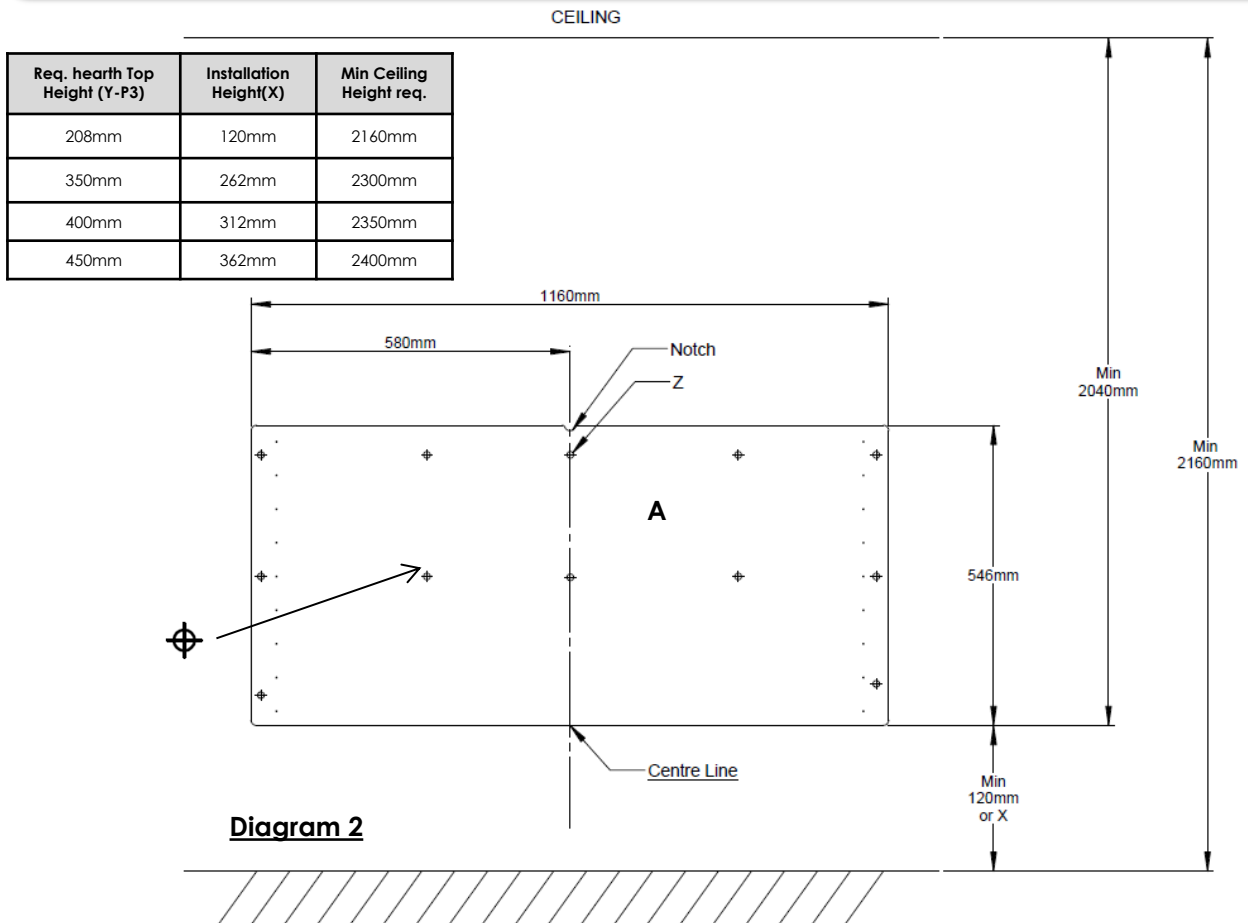
## Installation – Excluding Optional Plinth

Minimum Ceiling Height Required- 2160mm (As shown on Page 3)

If fixing into a stud wall, locate the studs and consider positioning the Wall Fixing Panel over as many studs as possible.

Minimum of 2 studs recommended, as well as the 13 additional fixings points  $\oplus$ , as detailed in Diagram 2. Please note suitable fixings for the wall medium should be used. See important notes Page 15.

Note: For ceiling heights between 2160mm and 2300mm we recommended following the installation dimensions, as detailed in Diagram 2. The critical dimension to adhere to is 2040mm. This will ensure an approx. 50mm gap between the ceiling and the top of the chimney breast is achieved, which is required for hanging the decorative panels in a later procedure. Alternatively for ceiling heights greater than 2300mm follow the handy table below or adjust the dimensions accordingly.



Mark a centre line on Wall Fixing Panel- **Component "A"**-as shown in Diagram 2.

Decide on the installation location of the chimney breast and fix the **Wall Fixing Panel** using the recommended dimensions and fixing points, **as shown in Diagram 2**.

Position the panel on the wall and mark- **Position Z**, drill and temporarily fix. Ensuring the panel is level and plumb, mark and drill the additional fixing points.  $\oplus$  Finally fix into position, depending on the wall medium it may be necessary to plug the drilled holes. **See important notes Page 15**.

**Note: The accuracy and fixing of this panel is critical to the whole installation process- Ensure the Wall Fixing Panel- is plumb and level before proceeding further.**

## Assembly –Hanging System

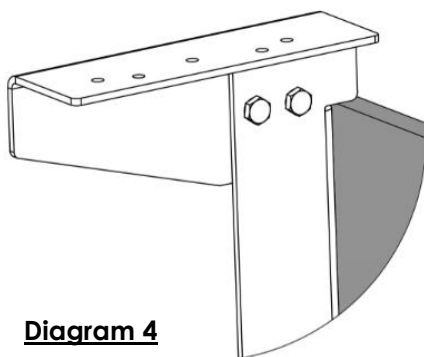
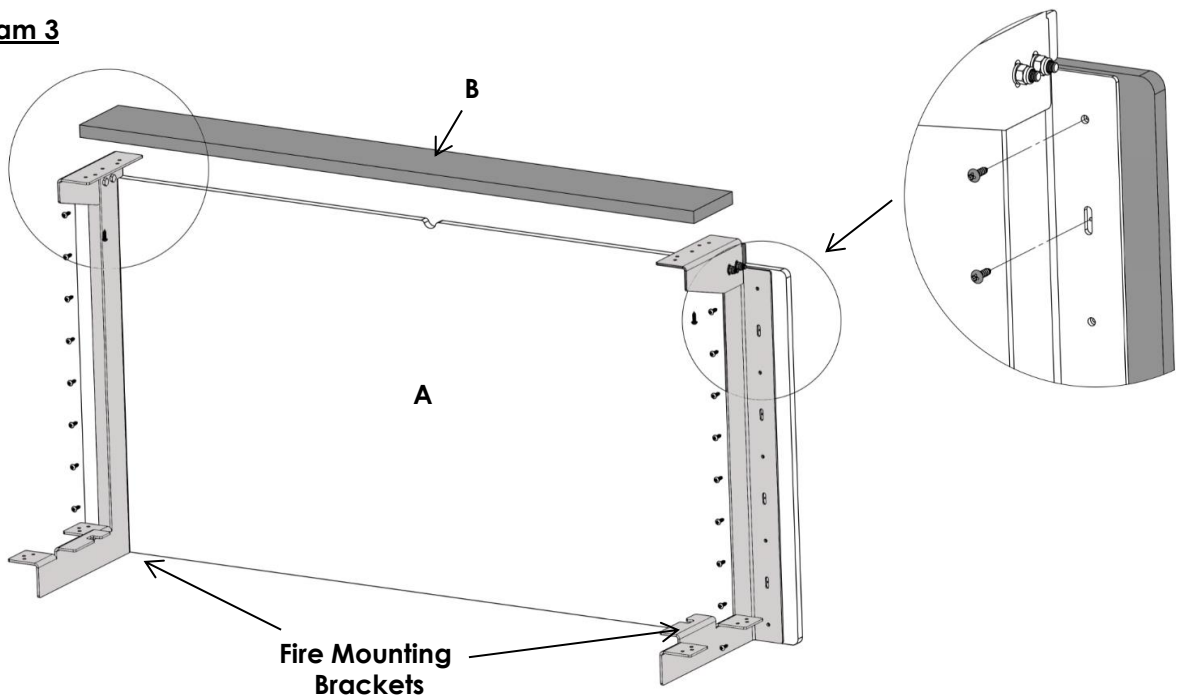
Once the Wall Fixing Panel- **Component “A”** has been secured to the wall, the next step is the fitting of the fire mounting brackets -**Box 029882**.

The Wall Fixing Panel comes with pre drilled holes so the brackets can be attached in the correct position. Attach the brackets, **as shown in Diagram 3**, using the supplied screws, **9 x No.8 x15mm Domed-Head** screws per bracket.

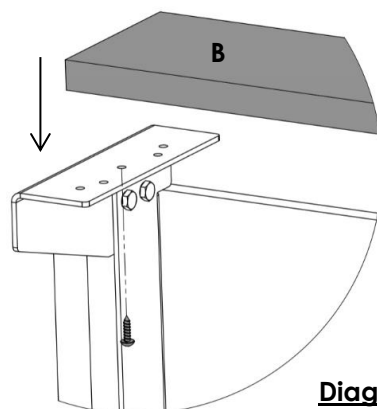
Ensure the rear of the bracket sits on the top edge of the panel, **as shown in Diagram 4**.

Once the brackets have been fitted, the light bleed cover- **Component “B” - Box 029920** , needs to be fastened to the top of the fire mounting brackets- align this up tight against the wall and secure in place with the **2 x No.8 x15mm Domed-Head** screws supplied, **as shown in Diagram 5**.

**Diagram 3**



**Diagram 4**



**Diagram 5**



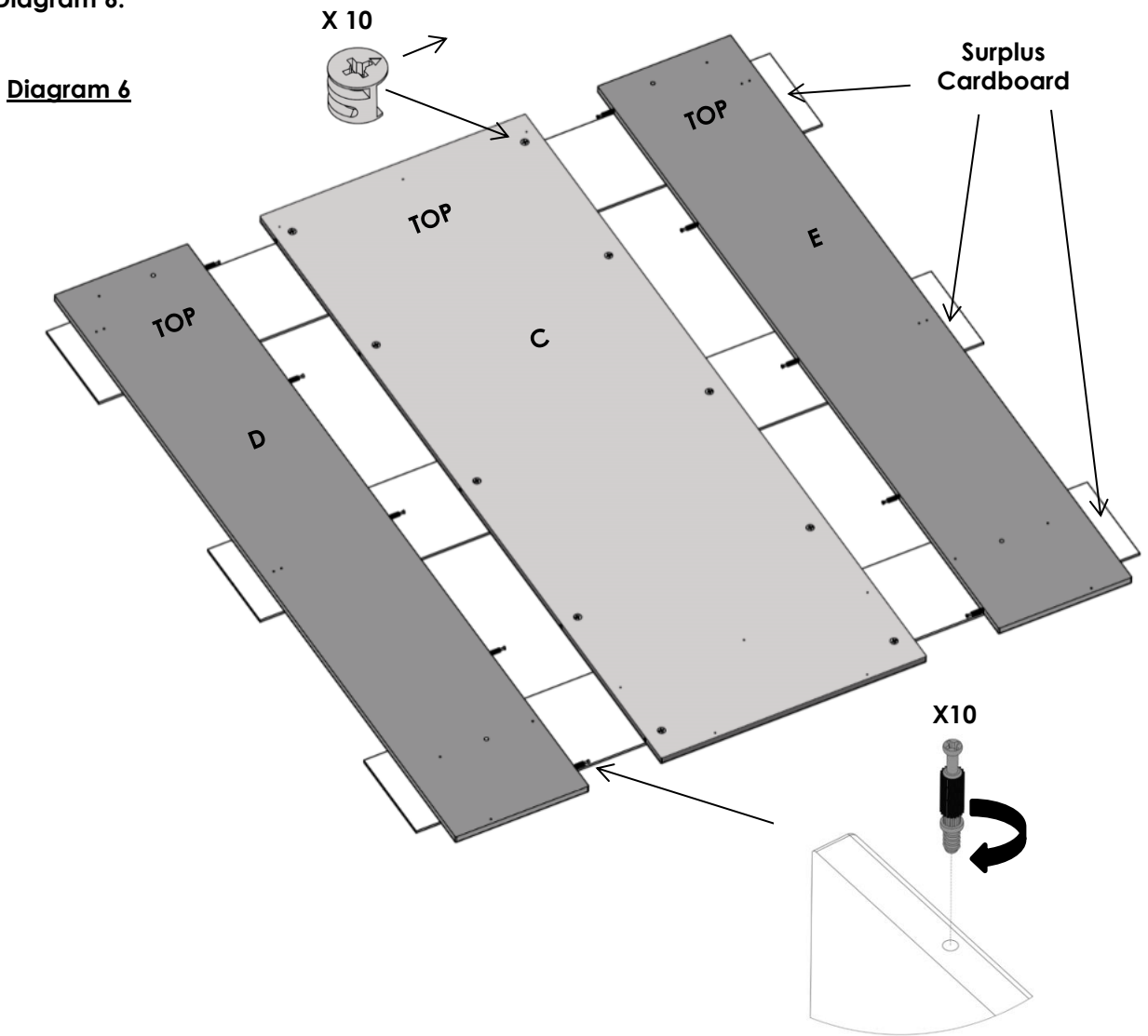
## Assembly –Decorative Panel

**Note:** Before laying the panels down onto a flat surface, make sure the surface is clear of sharp objects and other debris that may damage the decorative surface. Consider using the surplus cardboard packaging to help protect the decorative surface- as shown in Diagram 6.

Locate **Component “C”-Box 029920** and position this panel face down. The **10 x Cams** have been pre-installed. Please check that the arrows on the cams are pointing to the outer edge of the panel to allow the pin to locate correctly.

Locate **Components “D” and “E”- Box 029920**, screw the pins into the relevant sides of the panels, **5 X Pins** per side, as shown in **Diagram 7**.

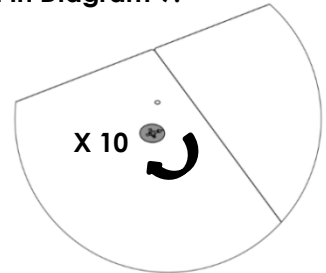
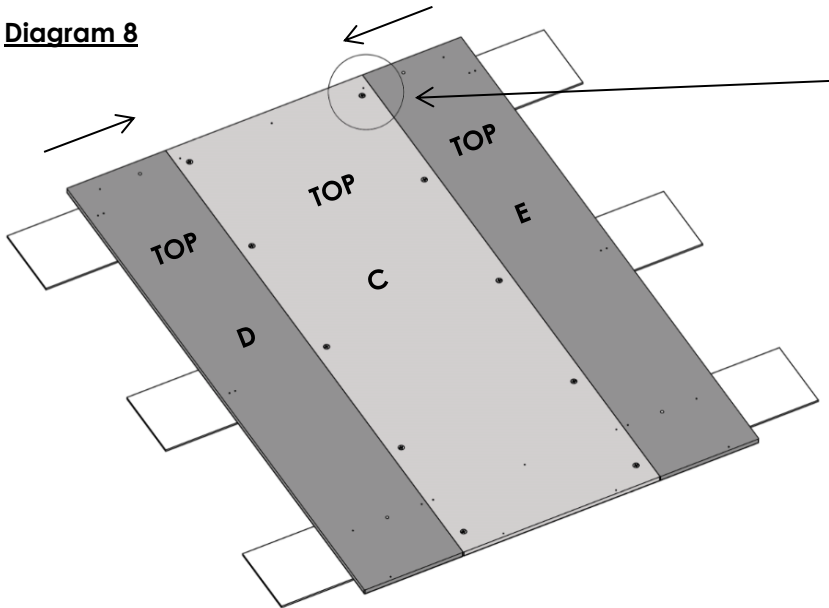
Then position **Components “D” and “E”** face down either side of **Component “C”**- as shown in **Diagram 6**.



## Assembly –Decorative Panel *Continued...*

Push both **Components “D” and “E”** into **Component “C”** ensuring the back surfaces are level and the ends are flush **as shown in Diagram 8**. Once in position, lock together by turning the cams  $\frac{1}{2}$  turn clockwise, this will lock the pins into the cams, **as shown in Diagram 9**.

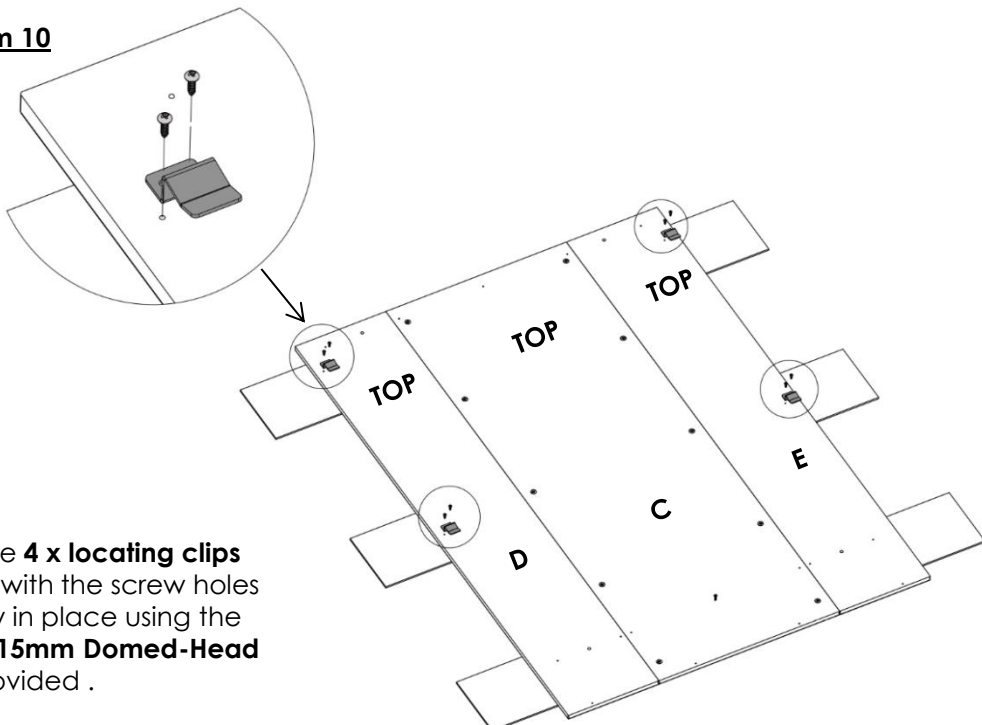
**Diagram 8**



**Diagram 9**

Once **Components “C”, “D” and “E”** have been locked together, the **4 x locating clips** need to be attached to the sides of **Components “D” and “E”** **as shown in Diagram 10**. The holes have been pre-drilled for ease of assembly. Make sure the locating clips are fixed square to the edge.

**Diagram 10**



Position the **4 x locating clips** and align with the screw holes and screw in place using the **8 x No.8 x15mm Domed-Head** screws provided .

## Assembly –Decorative Panel *Continued...*

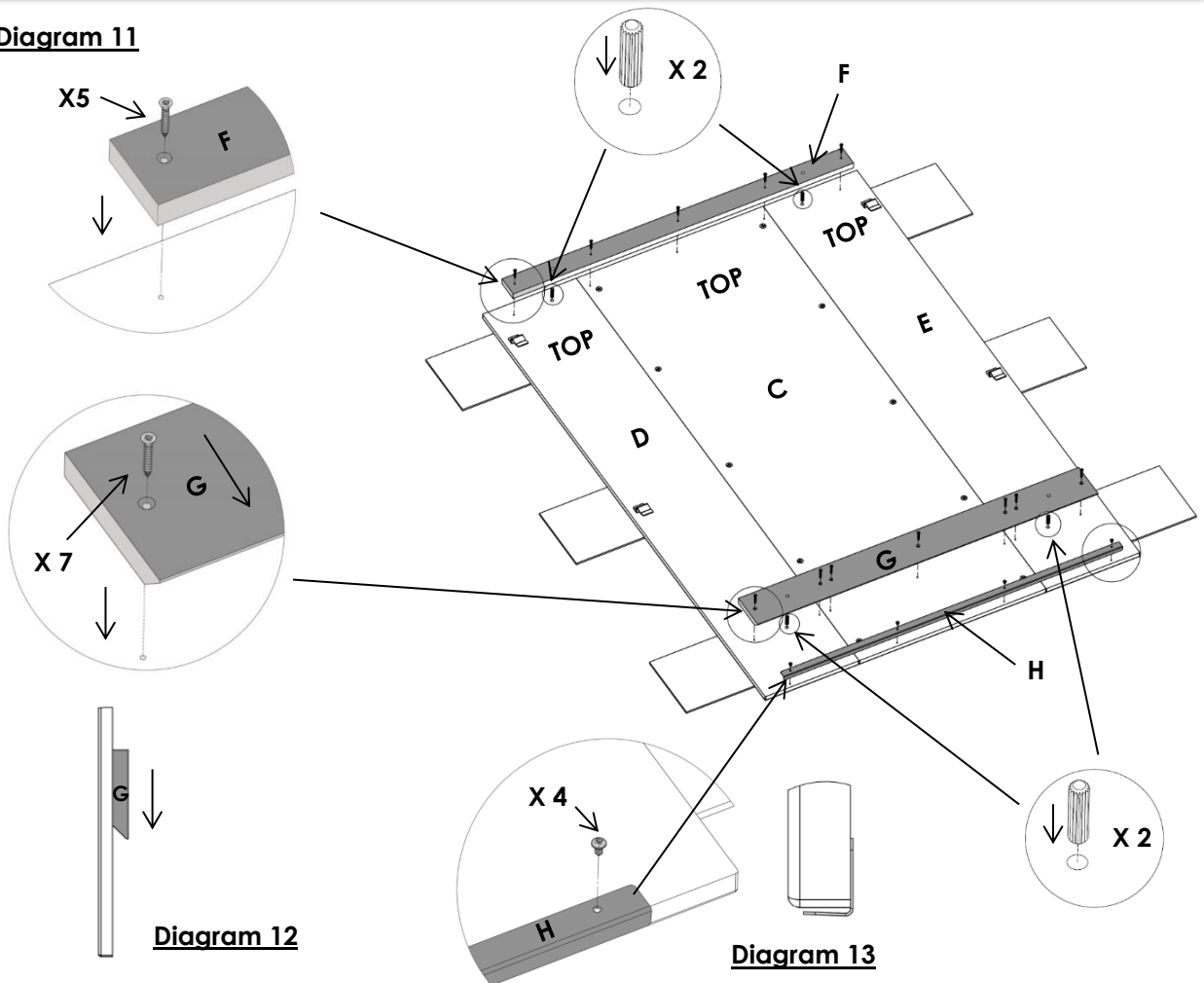
**Components “F” and “G” – Box 029920** , can now be fitted across the rear of the assembled components, **as shown in Diagram 11.**

Firstly insert the dowels into **Components “D” and “E”**, two per panel, the holes have been pre-drilled.

Once the dowels are in place, push the rails into position over the dowels and secure using the screws provided. **5 X No.8 x 30mm C/Sunk Screws** required for **Component “F”** and **7 X No.8 x 30mm C/Sunk Screws** required for **Component “G”**.

**Note: Be careful not to overtighten the screws, in case they come through the front of the panels.**  
**Note : The bevelled edge of Component “G” needs to face towards the bottom of the panels, as shown in Diagram 12.**

**Diagram 11**



**Diagram 12**

**Diagram 13**

Once **Component “F” and “G”** are secure, locate **Component “H”** the heat deflector, **remove the protective film** and fix this in position using the **4 x 3.5mm x 9.5mm Pozi Flange Head Screws** supplied, **as shown in Diagram 13**, the fixing holes have been pre-drilled to ensure correct location of the heat deflector is achieved, start with the two centre screws and work out towards the edges. **The decorative panel is now complete, store safely to one side for later use.**

## Assembly –Framework

**Note:** Once again consider using the surplus cardboard packaging to help protect the painted surfaces.

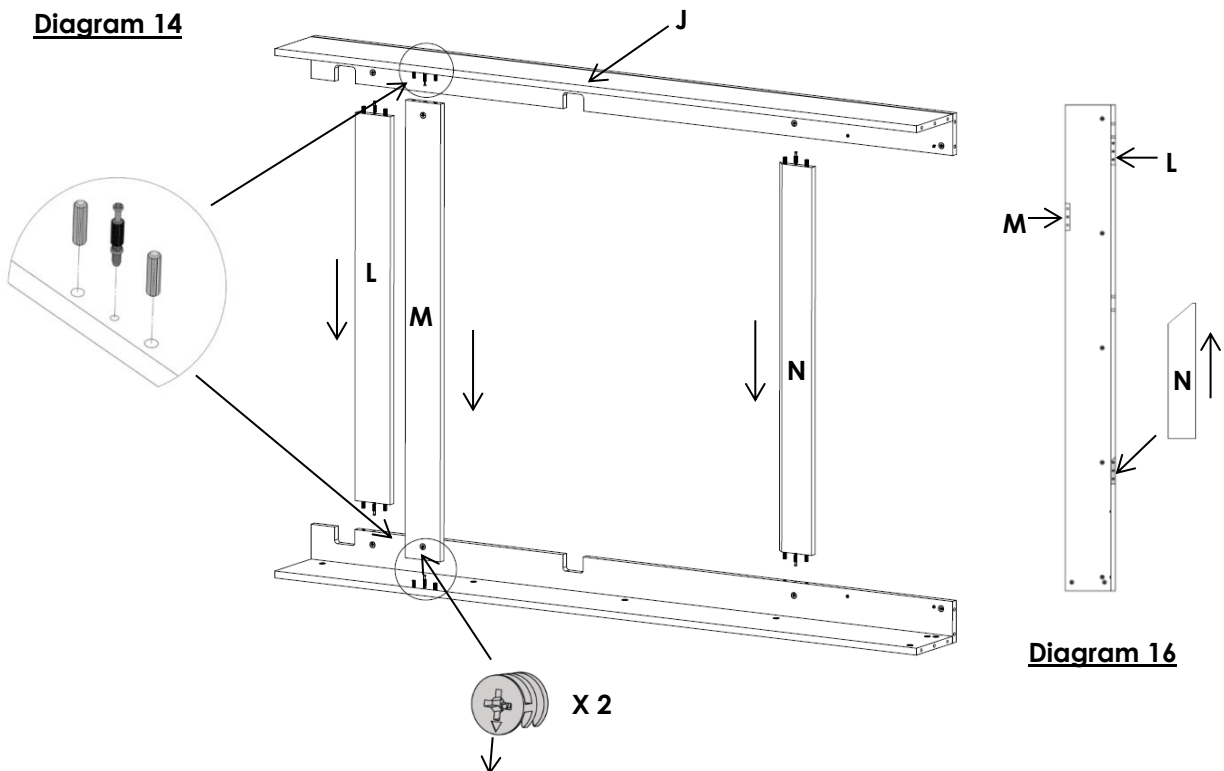
Locate **Box\_029890** - Components “J” and “K” have been pre-assembled.  
Locate **Box- 029882** - Components “L”, “M” and “N”.

The **dowels** and **pins** have been pre-installed on **Components “L” and “N”** and the **Cams** have been pre-installed on **Components “J”, “K” and “M”**. Please check that the arrows on the cams are pointing to the outer edges of **Components “J”, “K” and “M”** to allow the pins to locate correctly.

Insert the pins and dowels, **as shown in Diagram 14**, into **Components “J” and “K”**- **2 x dowels and 1 x pin** in each component. Ensure the pins are fully screwed into the board and the dowels are seated correctly.

Position **Components “L” and “N”** into the corresponding holes on **Component “K”**, as shown in **Diagram 15**. The bevelled edge of **Component “N”** needs to facing towards **Components “L” and “M”**, as shown in **Diagram 16**.

Position **Component “M”** onto the dowels and pins in **Component “K”**, as shown in **Diagram 15**.



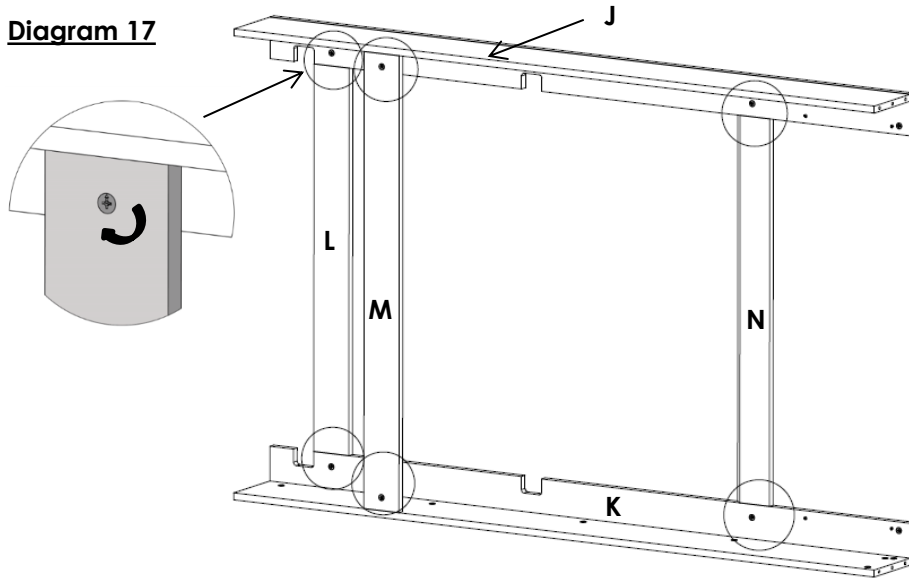
Finally position **Component “J”**, onto **Components “L”, “M” and “N”**, ensuring the cams, pins and dowels locate into the correct holes.

## Assembly –Framework *Continued...*

The final step is to fasten **Components “L”, “M” and “N”** into position by turning the **6 x cams** clockwise  $\frac{1}{2}$  a turn, **as shown in Diagram 17.**

The framework is now complete, store safely to one side for later use.

**Diagram 17**

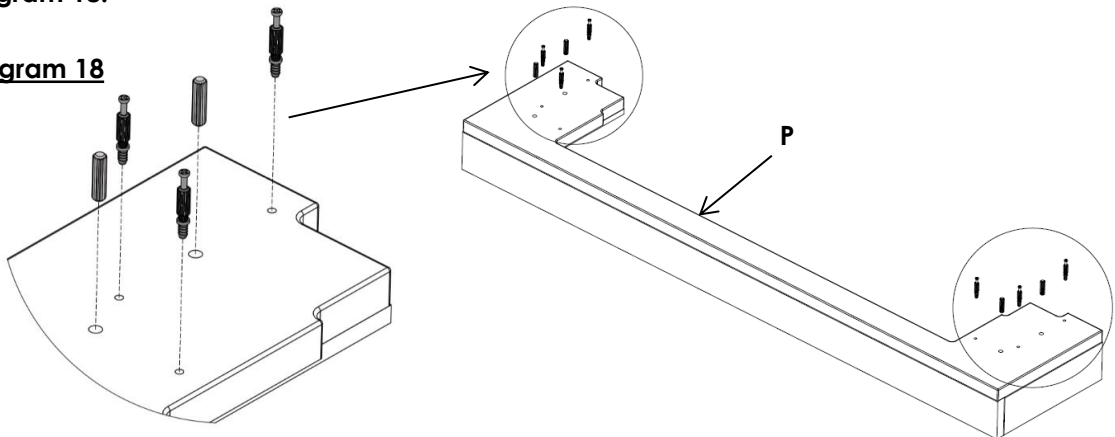


**Note:** Ensure all cams have locked onto the pins correctly and the framework is secure, before attempting to move.

## Assembly –Hearth

Locate **Component “P”- BOX 029882**, the hearth has been pre-assembled for convenience. Insert the **3 x Pins and 2 x Dowels** into the pre-drilled holes in each side of the hearth, **as shown in Diagram 18.**

**Diagram 18**

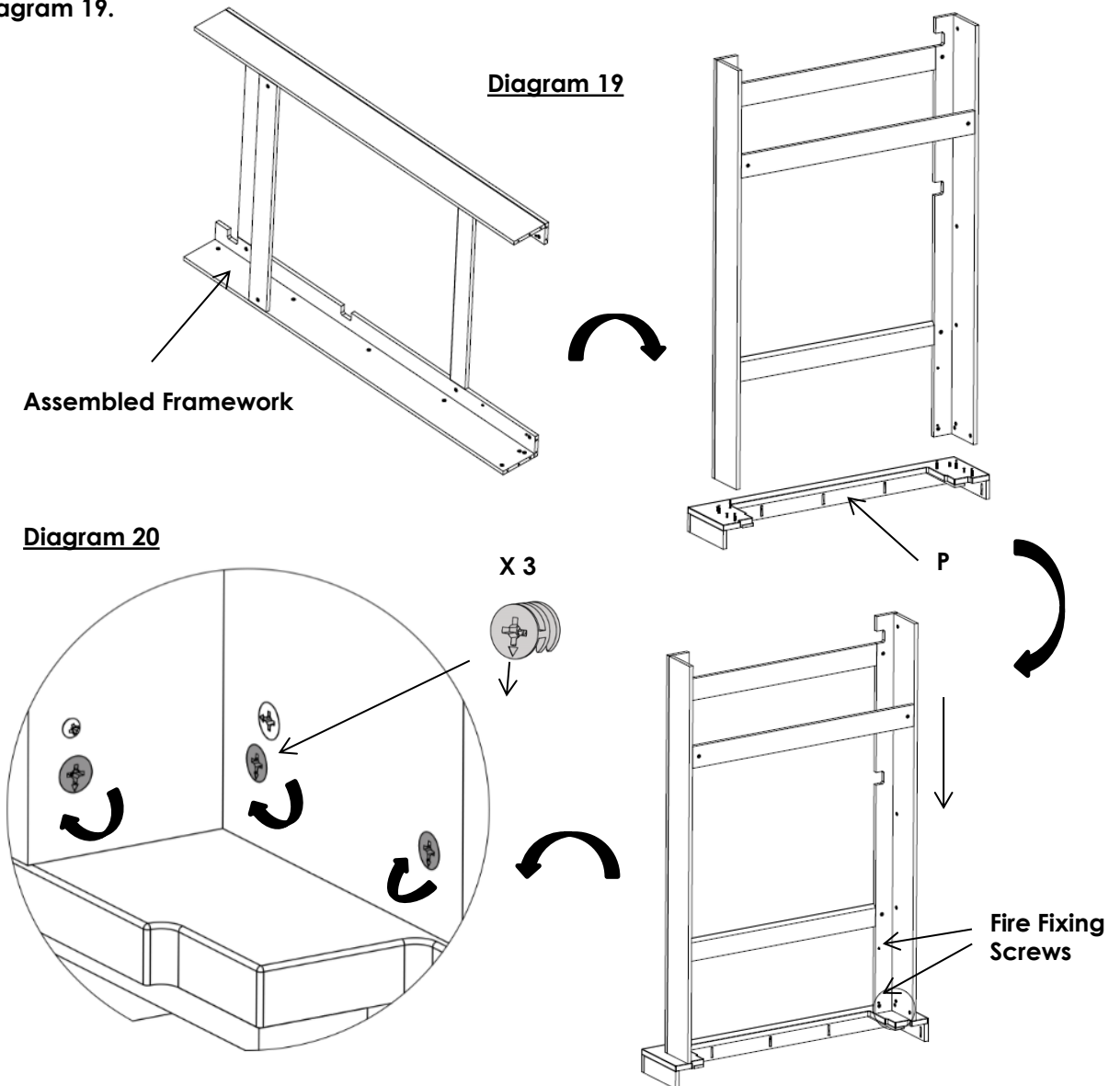


**Note:** Remember to remove the protective cardboard from the underside of the hearth covering the pre-installed under hearth LED lighting before proceeding further.

## Assembly –Hearth and Framework

**Note: The chimney breast is a two adult person lift. A second person will be required to lift and support the chimney breast during installation.**

Ensuring that the pre-installed **Cams** at the bottom of the framework point to the bottom edge, **as shown in Diagram 20**, carefully position the assembled framework onto **Component “P”**, ensure the framework is positioned correctly prior to locking the cams onto the pins, **as shown in Diagram 19**.



Only when you are sure the framework is correctly seated onto the hearth **Component “P”**, should you lock the cams into position, this is achieved by turning the cams clockwise  $\frac{1}{2}$  a turn. **3 x Cams** per side, as shown in **Diagram 20**.

**Note: Once assembled please check that the 4 x Fire fixing Screws have been pre-installed, as these are required to fix the fire at a later stage.**

## Installation- Fixing To The Wall

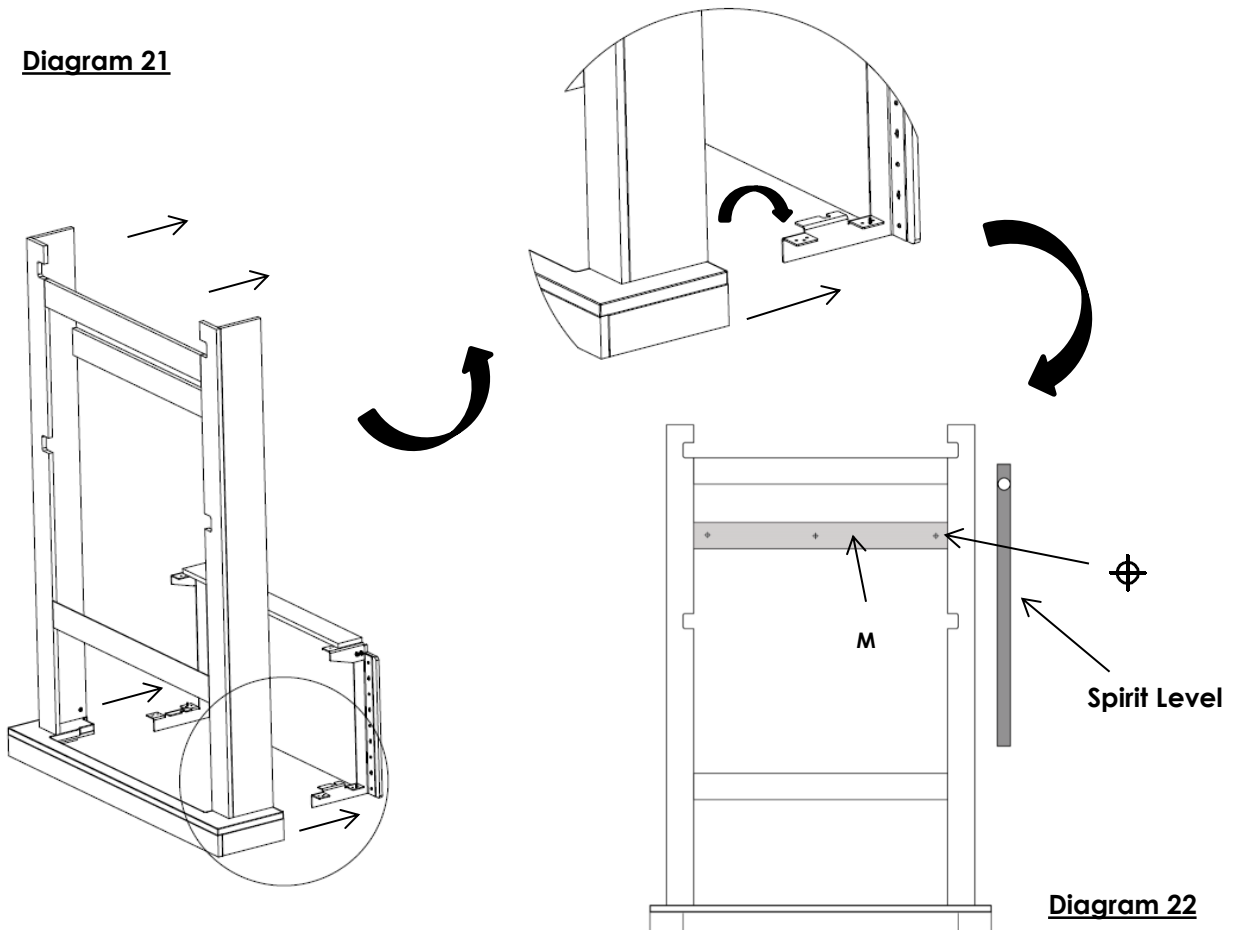
### IMPORTANT NOTE:

Wall fixings (i.e. screws/wall plugs etc.) are not supplied as these are crucially dependent upon the type of wall and surface the chimney breast is going to be fixed too. The installer is therefore responsible for ensuring that suitable fittings are used as well as individual fitting situations and environments. All mechanical fixings, for holding the chimney breast in position, must be secured to a solid wall or structure.

If fixing into a stud wall, mark the previously located studs used to install the wall fixing panel, on **Component "M"**. **A minimum 3 fixings points  $\oplus$ , as shown in Diagram 22, is recommended . Please note suitable fixings for the wall medium should be used.**

Offer the **assembled** chimney breast onto the previously installed fire mounting bracket, **as shown in Diagram 21**, and push up tight against the wall, ensuring the chimney breast is centralised on the fire mounting brackets. Be careful not to trap any of the cables for the pre-installed under hearth LED lighting.

**Diagram 21**



Using a spirit level, ensure the **assembled** chimney breast is plumb, **as shown in Diagram 22**. Mark and drill the required fixing positions into **Component "M"**, and mark the wall behind.

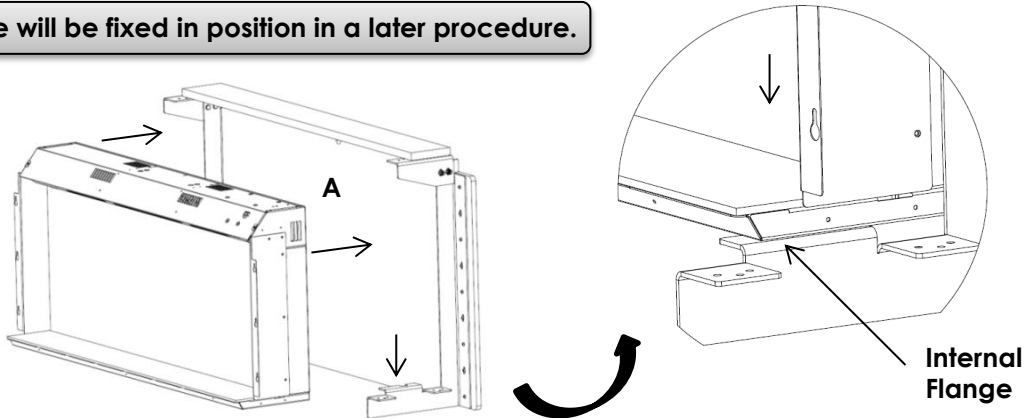
## Installation- Fixing To The Wall *Continued...*

Once the holes have been drilled and the wall behind marked, remove the **assembled** chimney breast from the fire mounting brackets so that the fire can be positioned. Prior to positioning the fire it may be necessary to plug the drilled holes, depending on the wall medium.

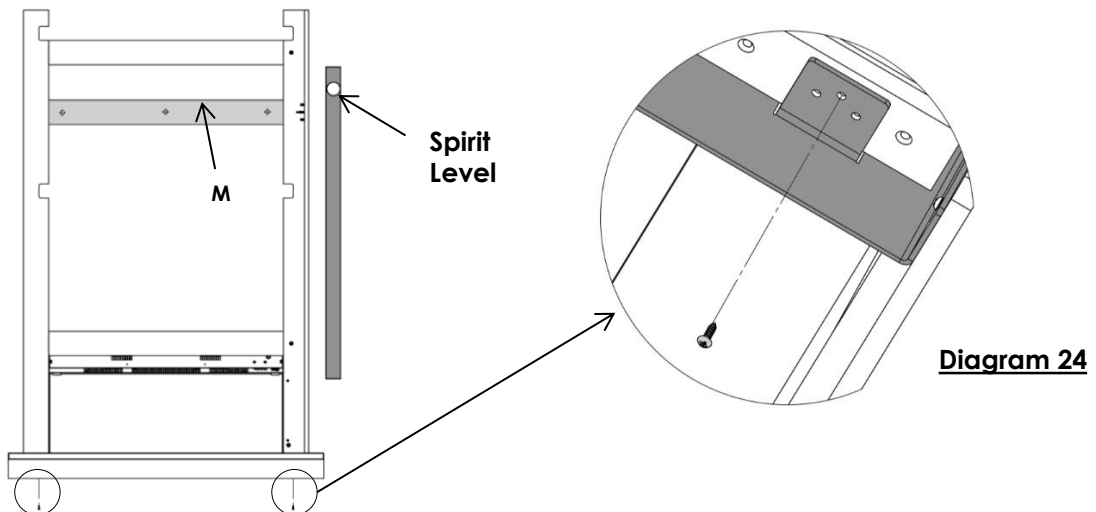
Carefully unpack the fire- **Box 024287** and store the logs and remote safely for later use. Lift the fire onto the internal flanges of the fire mounting brackets and position so the rear of the fire is against the Wall Fixing Panel - **Component "A"**, as shown in **Diagram 23**.

**Note: The fire will be fixed in position in a later procedure.**

**Diagram 23**



Finally reposition the **assembled** chimney breast over the fire and onto the fire mounting brackets, ensuring the cables for the pre-installed under hearth LED lights and the fire are routed in a way so they are easily accessible for any future maintenance. **See separate LED light instructions.**



Secure the **assembled** chimney breast to the wall through **Component "M"** in the chosen fixing locations, ensure the correct wall fixings and screws are used for the wall medium.

Once secured to the wall use the **2x No.8 x15mm Domed-Head** screws provided, to fasten the **assembled** chimney breast to the fire mounting brackets- 1 x screw for each bracket, as shown in **Diagram 24**.

**Note: Ensure the assembled chimney breast is pushed tight against the wall and is kept vertical/plumb during this stage of the installation process.**

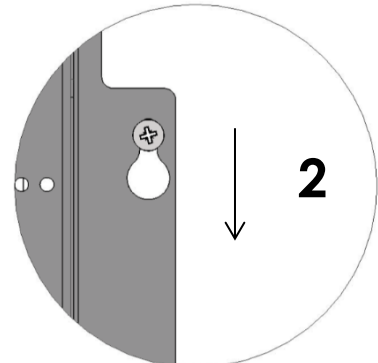
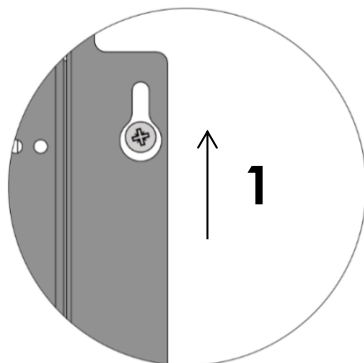
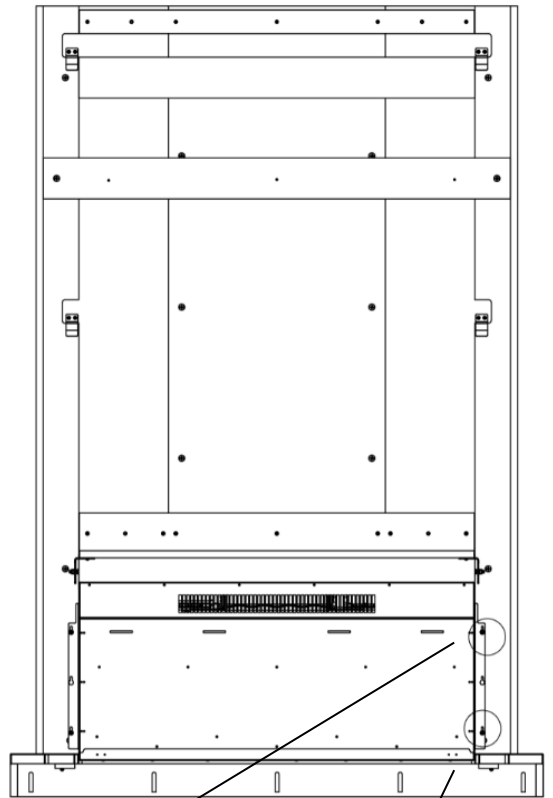
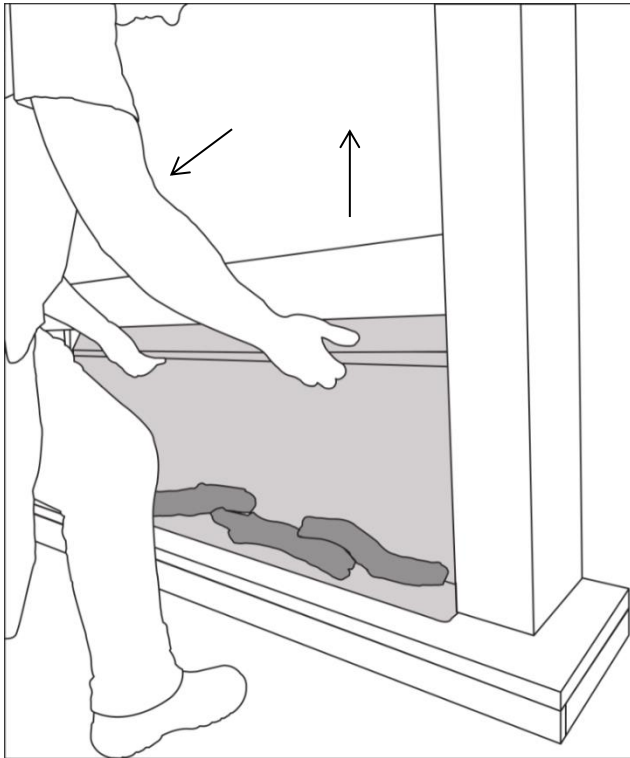


## Installation- Fixing The Fire

Once the chimney breast is secured to the wall and brackets, the fire now needs to be secured, this is done by lifting the fire upwards and pulling forward so that the **4 x keyhole slots** on the fire locate onto the pre-installed screw heads on the rear of the chimney breast front, once over the screw heads the fire can be lowered in place, **as shown in Diagram 25.**

**Diagram 25**

**Rear View**



## Installation- Fitting The Decorative Panels

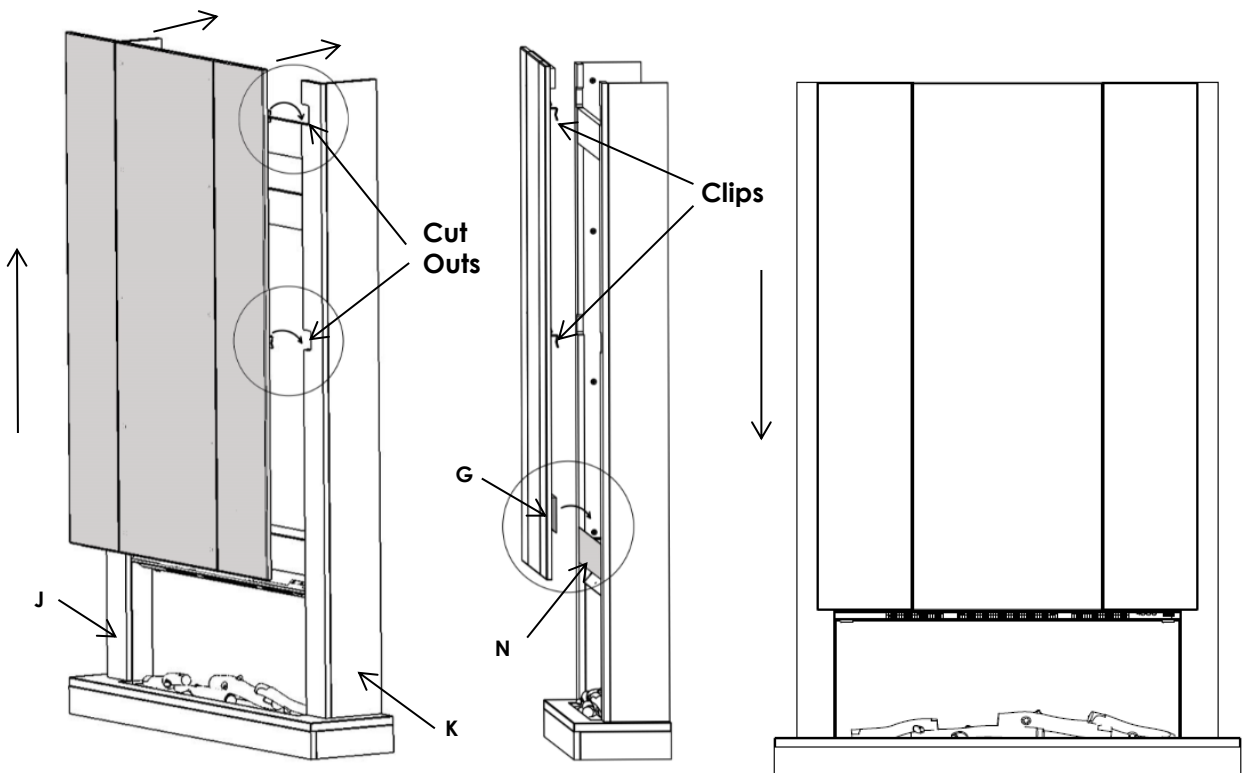
The final part of the installation is to hang the previously assembled decorative panels onto the installed framework.

**Note: This is a two adult person lift to avoid injury or damage.**

Offer the assembled panels up to the framework, ensuring the locating clips engage over the 4 X cut outs in **Components "K" and "J"** and **Components "N" and "G"** (bevelled rails) engage together. This can generally be achieved by lifting up, pushing back and lowering into position.

**Note: Ensure all of the clips and rails are correctly engaged before releasing the panels, as shown in Diagram 26.**

**Diagram 26**



Once installation is complete please refer to the fire instruction to see how to dress the logs on your fire and for the full fire operation guide.

Please follow the LED light instruction to operate the pre-installed under hearth lights.

**Note: There is a separate remote control for the LED lights.**

Please follow a separate instruction for the assembly and installation of the optional plinth.

## Maintenance

---

**WARNING:** Before any maintenance or whilst cleaning the exterior of the fireplace, the unit should be disconnected from the power supply until it has cooled down.

### **Cleaning the Fire**

Cleaning or polishing products are not recommended. Fingerprints or other marks on the front glass panel can be removed by a piece of soft, damp, lint-free cloth with a good quality household glass cleaner. The front glass panel should always be completely dried with a clean, lint-free cloth or paper towel.

**CAUTION:** Abrasive cleaners should not be used on the glass panel. Liquids should not be sprayed directly onto any surface of the unit.

### **Cleaning the Furniture**

Wipe up spills and condensation immediately with a clean damp cloth. When cleaning the furniture, we also recommend using a clean damp cloth. Avoid using cleaners or polishes that contain abrasives, solvents, acid and ammonia.

### **Troubleshooting**

Should you have any queries regarding this product please contact Customer Services on 01914300901 or email us at [customerservices@bemodern.co.uk](mailto:customerservices@bemodern.co.uk)

### **Recycling**

All cardboard packing is recyclable.