

# The Collection

by MICHAEL MILLER

## Eden Elite & Avignon Eden Elite

### **HIGH EFFICIENCY INSET LOG EFFECT GAS FIRE**

#### **Installation, Maintenance & User Instructions**

**Hand these instructions to the user**

**Model No's DEEL\*\*RNB is for use on Natural Gas (G20) at a supply pressure of 20mbar in G.B. / I.E.**

**Model No's DEEL\*\*RPB is for use on Propane Gas (G31) at a supply pressure of 37mbar in G.B. / I.E.**

**\*\* Denotes cosmetic variance**

## **Information Requirements for Commission Regulation (EU) 2015/1188**

<b>Model Identifier</b>	<b>DEEL**RNB</b>	<b>DEEL**RPB</b>
<b>Indirect Heating Functionality</b>	<b>No</b>	<b>No</b>
<b>Direct Heat Output</b>	<b>4.9kW</b>	<b>4.3kW</b>
<b>Indirect Heat Output</b>	<b>Not Applicable</b>	<b>Not Applicable</b>
<b>Fuel</b>	<b>Natural Gas (G20)</b>	<b>Propane Gas (G31)</b>
<b>NOx Emissions</b>	<b>130mg/kWh</b>	<b>130mg/kWh</b>
<b>Nominal Heat Output</b>	<b>4.9kW</b>	<b>4.3kW</b>
<b>Minimum Heat Output (Indicative, all models)</b>	<b>1.0kW</b>	<b>1.0kW</b>
<b>Useful Efficiency at Nominal Heat Output</b>	<b>78.6%</b>	<b>68.8%</b>
<b>Useful Efficiency at Minimum Heat Output (Indicative)</b>	<b>50.0%</b>	<b>50.0%</b>
<b>Auxilliary Power Consumption at Nominal Heat Output</b>	<b>0.0005008kW</b>	<b>0.0005008kW</b>
<b>Auxilliary Power Consumption at Minimum Output</b>	<b>0.0005008kW</b>	<b>0.0005008kW</b>
<b>Auxilliary Power Consumption at Standby Mode</b>	<b>0.0005008kW</b>	<b>0.0005008kW</b>
<b>Permanent Pilot Flame Requirement</b>	<b>0.25kW</b>	<b>0.25kW</b>
<b>Type of Heat Output / Room Temperature Control</b>	<b>With electronic room temperature control plus day timer.</b>	
<b>Contact Details</b>	<b>BFM Europe Ltd. Gordon Banks Drive Trentham Lakes North Stoke-on-Trent ST4 4TJ  Tel : 01782 339000</b>	

# CONTENTS

	<b>PAGE</b>
<b>Section 1 Information and Requirements</b>	
1.0 Appliance information	3
1.1 Conditions of installation	4
1.2 Flue & Chimney Suitability	4
1.3 Shelf position	5
1.4 Hearths	5
1.5 Fireplace opening into brick chimney or studded wall	6-8
1.6 Spillage monitoring system	8
<b>Section 2 Installation of Fire</b>	
2.1 Unpacking the combustion chamber	9
2.2 Planning the gas supply route	10-11
2.3 Installing the firebox	11-17
2.4 Gas tightness and inlet pressure	18
2.5 Finishing the product aperture / fitting the plastering frame	19
2.6 Installing the Avignon surround	20-21
<b>Section 3 Assembling Fuel Bed and Commissioning</b>	
3.1 Fitting the fuel bed logset	22-27
3.2 Fitting the batteries	28
3.3 Lighting / operation of the appliance	29-34
3.4 Checking for clearance of combustion products	35
3.5 Removal / re-fitting of the efficiency baffle	36
<b>Section 4 Maintenance</b>	
4.1 Removal of the burner assembly	37
4.2 Removal of the gas control valve	37
4.3 Removal of the receiver unit / control board	38
4.4 Removal of the pilot assembly	38
4.5 Removal / replacement of the handset battery	38
4.6 Checking for flue debris	38
4.7 Parts shortlist	39
<b>Section 5 User Instructions</b>	
5.1 Installation Information	40
5.2 About your Eden Elite / Eden Avignon Elite gas fire	41
5.3 Lighting & operating the appliance	43-45
5.4 Cleaning instructions	46
5.5 Removal & replacing the glass frame assembly	47-48
5.6 Removal & re-fitting the fuel-bed logset	49-54

Model numbers **DEEL\*\*RNB & DEEL\*\*RPB** are manufactured by:-

BFM Europe Ltd. Trentham Lakes, Stoke-on-Trent, Staffordshire, ST4 4TJ.

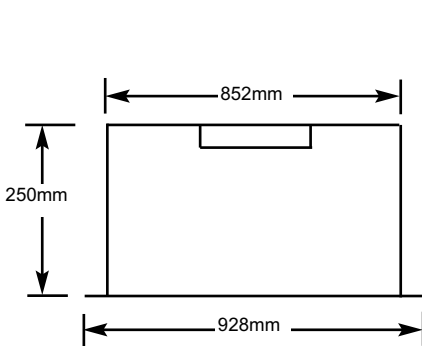
# SECTION 1 INFORMATION AND REQUIREMENTS

## 1.0 APPLIANCE INFORMATION

Main injector : (1 off)	Stereomatic Cat 96 – size 1.95 (NG) Stereomatic Cat 96 - size 1.31 (LPG)
Pilot Type :	NG - Seagas P5-29D LPG - Seagas P5-30LP
Maximum Gross Heat Input :	6.9 kW
Minimum Gross Heat Input :	2.0 kW
Cold Inlet Pressure :	G20 20.0+/-1.0 mbar (8.0 +/- 0.4 in w.g.) G31 37.0+/-1.0 mbar (14.8 +/- 0.4 in w.g.)
Ignition :	Via remote, integral to control system
Electrical consumption	6V 10W nominal
Electrode Spark Gap :	4.0mm
Packed Weight :	53.0kg

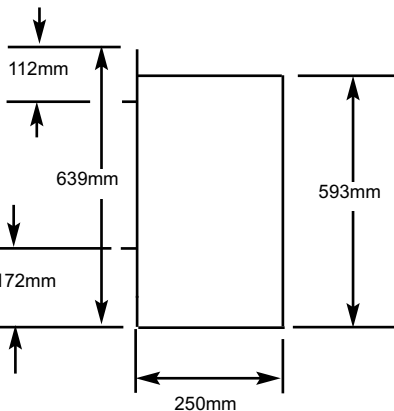
**Fig. 1**

**Top View of Combustion Chamber**



**Fig. 2**

**Side View of Combustion Chamber**



**IMPORTANT NOTE : All LPG product installations must be fitted with an Over Pressure Shut Off (OPSO) device to guard against failure of the primary regulator.**

# INSTALLATION REQUIREMENTS

## 1.1 CONDITIONS OF INSTALLATION

It is the law that all gas appliances are installed only by a GAS SAFE Registered Installer, in accordance with these installation instructions and the Gas Safety (Installation and Use) Regulations 1998 as amended. Failure to install appliances correctly could lead to prosecution. It is in your own interest and that of safety to comply with the law. The installation must also be in accordance with all relevant parts of the Local and National Building Regulations where appropriate, the Building Regulations (Scotland Consolidation) issued by the Scottish Development Department, and all applicable requirements of the following British Standard Code of Practice.

1. BS 5871 Part 2 Installation of Inset Live Fuel Effect Gas Fires
2. BS 6891 Installation of Gas Pipework
3. BS 5440 Parts 1 & 2 Installation of Flues and Ventilation
4. BS 1251 Open fire place components
5. BS 715 / BS EN 1856-2 Metal flue pipes for gas appliances
6. BS EN 1858 Clay Flue Blocks and Terminals
7. IS 813 : Domestic Gas Installation (Republic of Ireland)

**No purpose made additional ventilation is normally required for this appliance, when installed in G.B. When installing in I.E. please consult document I.S. 813 : Domestic Gas Installation, which is issued by the National Standards Authority of Ireland. If installing in Northern Ireland, please consult local building regulations. Any purpose made ventilation must be checked periodically to ensure that it is free from obstruction.**

## 1.2 FLUE AND CHIMNEY SUITABILITY

This appliance is designed for use with conventional brick built or lined chimneys and fabricated flues and metal flue boxes conforming to BS 715 / BS EN 1856-2. All flues must conform to the following minimum dimensions.

<b>Minimum diameter of circular flues</b>	<b>125 mm</b>
<b>Minimum effective height of all flue types</b>	<b>4 metres</b>

Safe clearance of products must always be checked by carrying out a smoke match test as described in section 3.4

### **1.3 SHELF POSITION**

The fire may be fitted below a combustible shelf providing there is a minimum distance of 300mm above the top of the fire and the shelf does not project more than 150mm. If the shelf overhangs more than 150mm the distance between the fire and the shelf must be increased by 15mm for every 25mm of additional overhang over 150mm.

### **1.4 HEARTH**

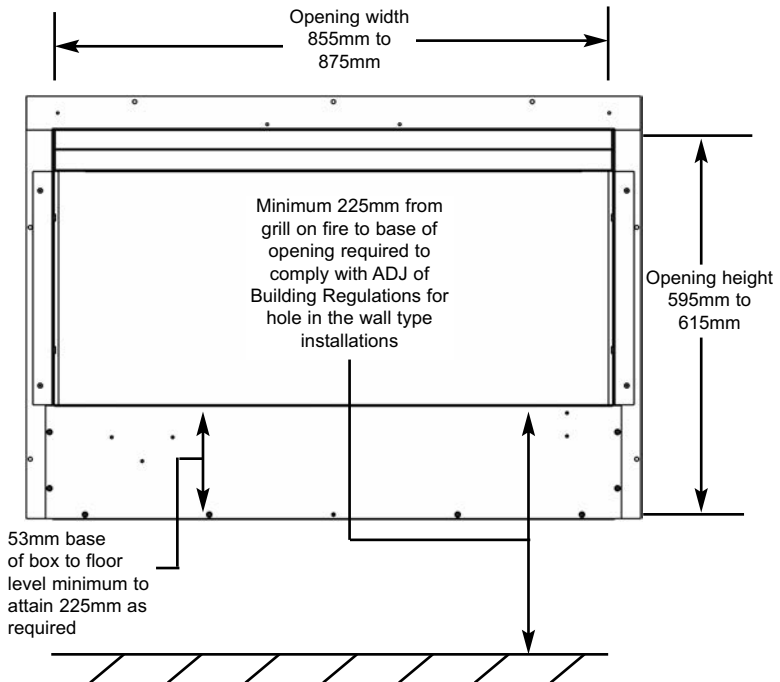
This appliance does not require the fitting of a hearth that projects in front of it when installed into a recess in either an existing chimney breast or a studded wall, providing the appliance is installed a minimum of 225mm above the floor level. The appliance must however stand on a non-combustible base that is a minimum thickness of 12mm. If installed with a BFM Europe supplied Avignon suite use the hearth panel supplied.

## 1.5 FIRE PLACE OPENING

### 1.5.1 Fireplace Opening for Engine Only Applications into Brick Chimney

The front opening of the fire place must be between 855mm and 875mm wide, between 595mm and 615mm high and 300mm deep. If the opening exceeds these dimensions then a surround must be constructed from suitable non-combustible material to produce a correct size opening. Any surround must be suitably sealed to the fire place to prevent leakage. See below in figure 3.

Fig. 3



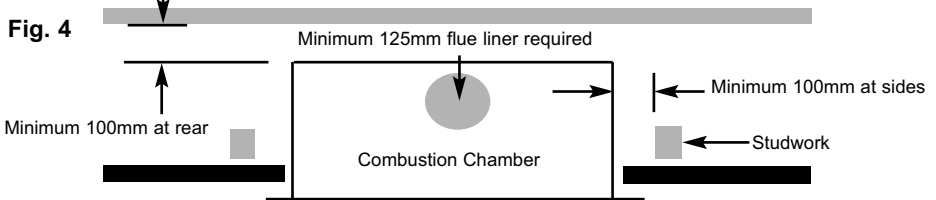
**NOTE** :- If installing with a retailer designed surround package **please consult the retailer to determine installation height required for the fire.**

When installing into a brick built chimney, you must ensure that there is sufficient depth to accommodate any debris which may fall from the chimney. This depth must be sufficient to accommodate 12 litres of volumetric space in a conventional brick built chimney.

## 1.5.2 Fireplace Opening for Engine Only Applications into False Chimney Breast (Studwork)

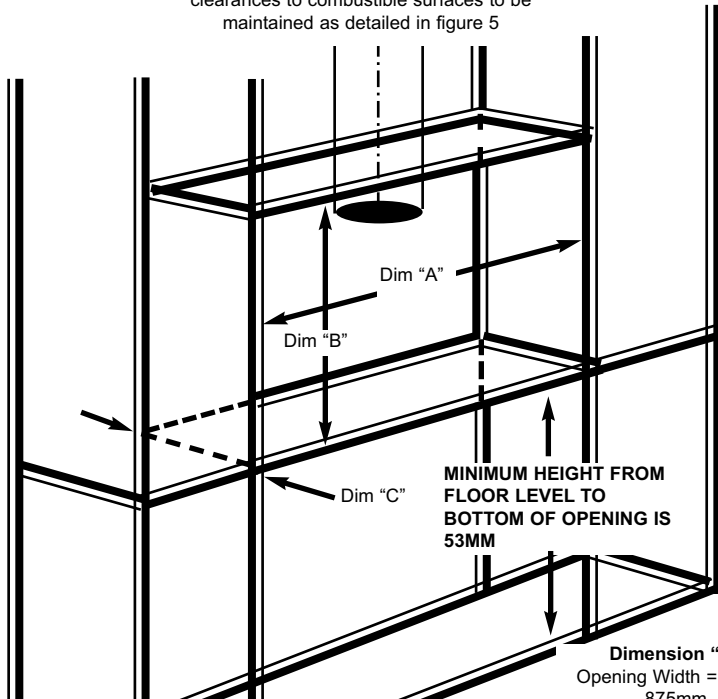
All combustible parts of the studwork must be set at the distances as shown below in figure 4 & 5. For installation into such applications a flue box with 125mm flue pipe adaptor is available to purchase as a cost option extra, please order part number 1178-182310, from your local stockist.

**Fig. 4**



125mm diameter minimum flue liner required, clearances to combustible surfaces to be maintained as detailed in figure 5

**Fig. 5**



**PLEASE NOTE :** For the front face of the studwork a non combustible board such as "Versa Tecbor" should be used in a double 12mm thickness. Opening to be finished 853mm width by 358mm height. "Versa Tecbor" board is available from Euroform Products Ltd, Tel : (01925) 860999, [www.euroform.co.uk](http://www.euroform.co.uk)

**Dimension "A"**  
Opening Width = 855 to 875mm

**Dimension "B"**  
Opening Height = 595mm to 615mm

**Dimension "C"**  
Minimum Depth 300mm



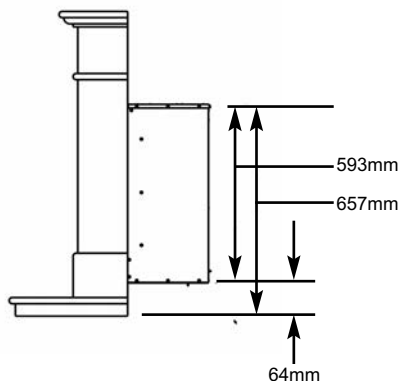
### 1.5.3 Fireplace Opening for Avignon Eden Elite Surround into Brick Chimney or Studwork Application

If fitting this fire with a surround supplied from BFM Europe then the fireplace opening of width of 855mm minimum to 875mm maximum and height 595mm minimum to 615mm maximum needs to be prepared at a height of 64mm when installed with the Avignon Eden Elite Surround. See figure 6 below for height required for installation with this surround. If installing into studwork ensure clearances to combustible materials are maintained as per section 1.6.2

**Fig. 6**

#### **Avignon Eden Elite Surround**

Opening to be 64mm from floor level to base of opening



## 1.6 SPILLAGE MONITORING SYSTEM

This appliance is fitted with an atmosphere sensing spillage monitoring system in the form of an oxygen sensing burner. This is designed to shut the fire off in the event of a partial or complete blockage of the flue causing a build up of combustion products in the room in which the fire is operated. **The following are important warnings relating to this spillage monitoring system :-**

- 1.6.1 The spillage monitoring system must not be adjusted by the installer.
- 1.6.2 The spillage monitoring system must not be put out of operation.
- 1.6.3 When the spillage monitoring system is exchanged only a complete original manufacturers part may be fitted.

## SECTION 2 INSTALLATION OF FIRE

### 2.1 UNPACKING THE COMBUSTION CHAMBER

Carefully lift the combustion chamber out of the carton. Remove the loose item packaging carefully from the pack. Check the contents as listed :-

**DO NOT UNDER ANY CIRCUMSTANCES USE THIS APPLIANCE IF THE GLASS PANEL IS BROKEN OR NOT SECURELY FIXED TO THE FIREBOX.**

#### Packing Check List - All models

##### Pack 1 - Fire Pack

- 1 off Combustion chamber & glass panel
- 1 off Boxed ceramic fuel-bed set (packed inside combustion chamber)
- 1 off Installation instruction / user manual
- 1 off Guarantee card
- 1 off Bag of "Embaglow"
- 1 off Bag of vermiculite
- 1 off Thermostatic remote handset
- 1 off Loose items pack – containing :-
  - 4 off No. 12 x 40mm screws
  - 4 off rawlplugs
  - 1 off 9V battery
  - 4 off 1.5V batteries
  - 1 off glass clamp
  - 1 off handset bracket & screws
  - 1 off efficiency baffle & 2 off screws
  - 2 off 25mm grommets
  - 1 off 3mm allen key (LPG models only)

##### Pack 2 - Optional Trim (if selected as optional extra)

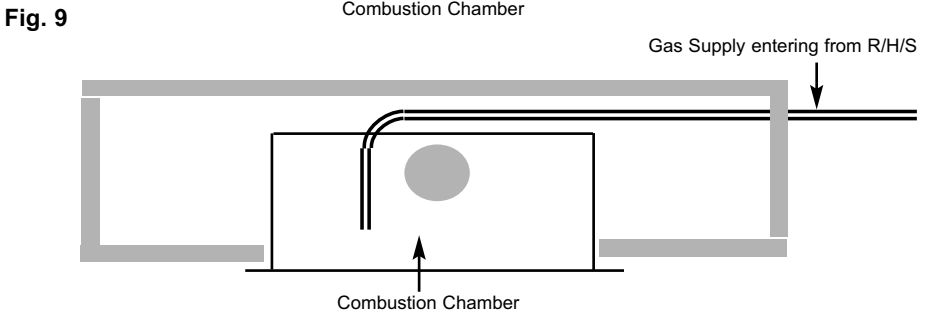
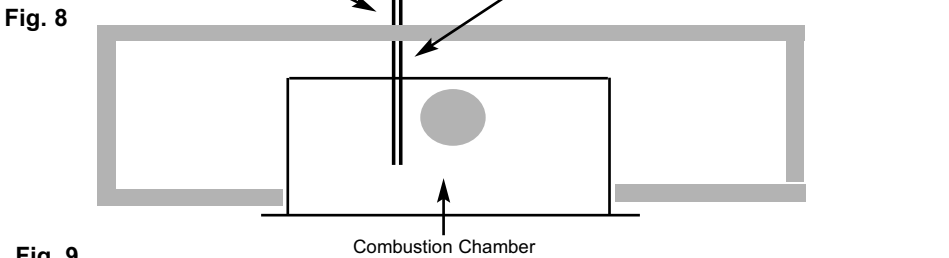
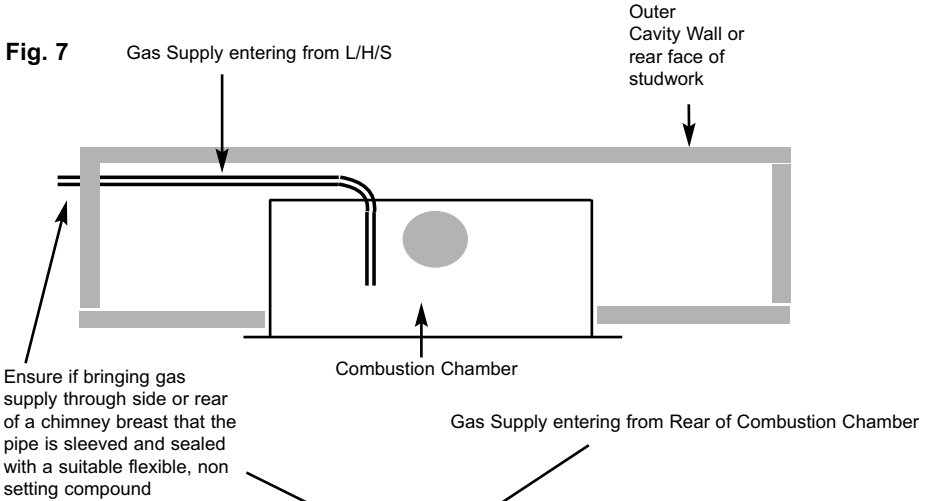
- 1 off 4 side trim assembly (use magnets supplied on existing enamel sides on fire to secure trim)

##### Pack 3 - Surround (if selected as optional extra)

- 1 off Supplied in wooden crate, see section 2.8

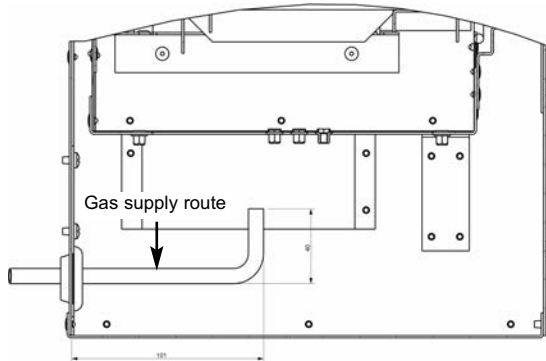
**PLEASE NOTE : Due to the high level of heat produced by this product we recommend that Plasma / LCD televisions are not placed in close proximity to this product.**

2.2.1 Before installing the combustion chamber, decide from which side or if a rear connection to the gas supply is required. Plan the pipe run to enter from the rear or below the firebox from the left, right or rear and connect to the inlet elbow. See figure 7, 8 & 9 below. The gas connection is located at the centre left hand side of the fire. **Note : Before breaking into the gas supply a gas tightness test should be carried out to establish that the existing pipework is sound.**



2.2.2 The gas supply can be routed into the fire from the centre left hand side, see figure 10 below for dimensional information regarding position and route of gas supply pipe, approximately 100mm in from rear face of fire box with a 90 degree bend in the vertical plane 40mm from the bottom edge of the supply pipe.

Fig. 10



### 2.3 INSTALLING THE FIRE BOX

Establish which type of flue you are intending to install the fire in to :-

225 x 225mm (9 inch x 9 inch) brick built chimneys

175mm (7 inch) diameter lined brick or stone flue, or insulated pre-fabricated metal flue box to B.S. 715.

When installing into 125mm (5 inch) diameter lined brick or stone flue, or insulated pre-fabricated metal flue box to B.S. 715, the restrictor baffle must not be fitted.

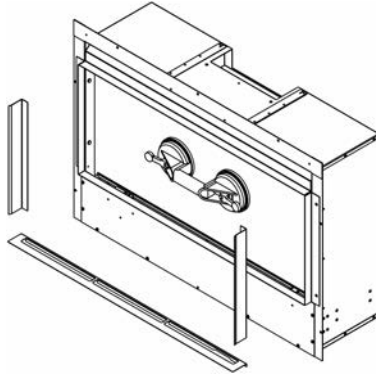
**A spillage test must always be carried out to check satisfactory clearance of flue products, regardless of the type of flue the appliance is being fitted to.**

If the flue requires lining, an optional extra flue connection plate assembly can be ordered to assist with the flue connection. This assembly can be obtained from your local BFM Fires stockist, please quote part number 1178-183230. Included with this assembly are fitting instructions.

## 2.3 INSTALLING THE FIREBOX (CONTINUED)

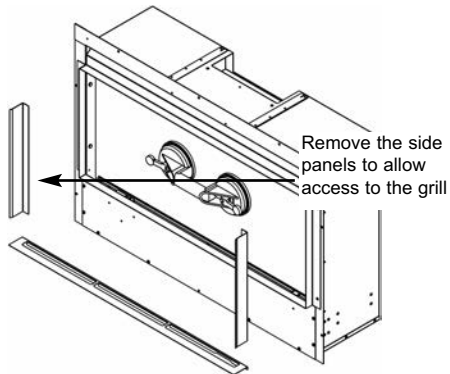
- 2.3.1 To remove the glass panel, the glass clamp as supplied in the loose items pack will be required. Secure the clamp to the glass panel as shown below in figure 11.

Fig. 11



- 2.3.2 Remove the front grill by removing the 2 off side trims by simply lifting clear (they are retained by magnets). See figure 12 below.

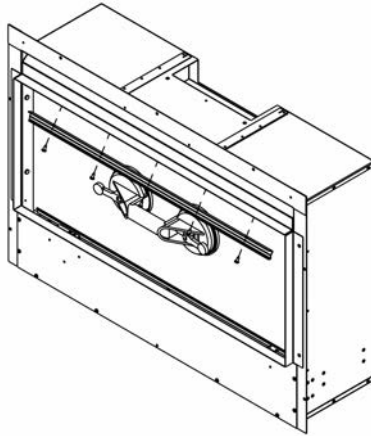
Fig. 12



**NOTE :** Always ensure that a consistent seal between the combustion chamber and the glass panel is achieved when replacing the glass panel.

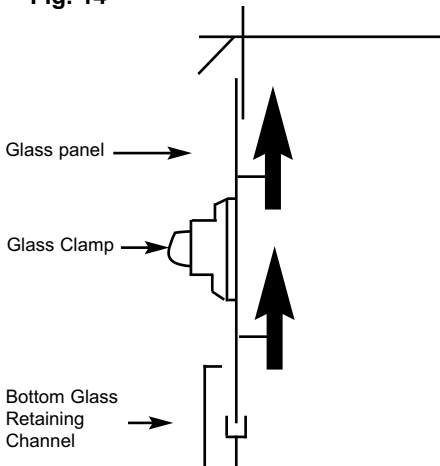
- 2.3.3 Remove the 5 off securing screws and glass panel retaining bracket that are located on the top underside face of the combustion chamber behind the canopy. See figure 13 below.

**Fig. 13**

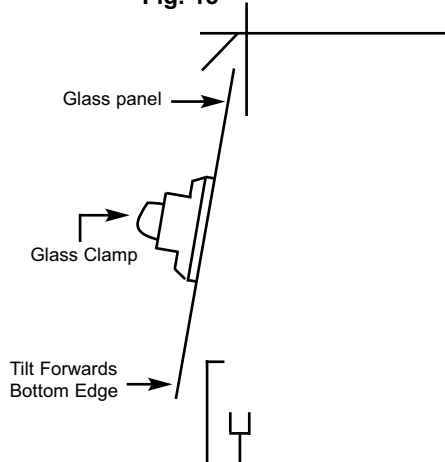


- 2.3.4 Lift the glass panel vertically to release from the bottom retaining channel and then tilt forwards as shown below in figure 14 / 15 to release.

**Fig. 14**

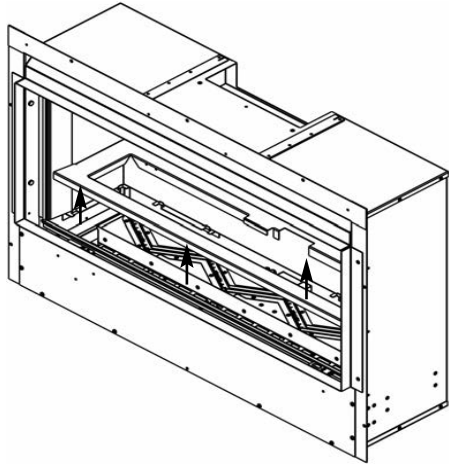


**Fig. 15**



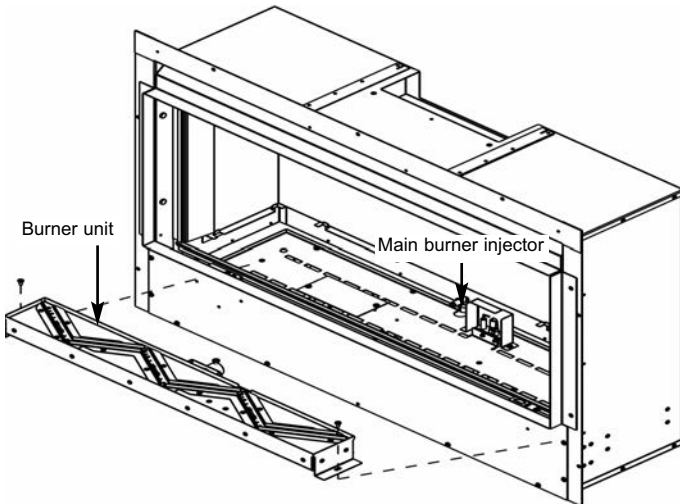
2.3.5 Lift the burner tray cover vertically clear as shown below in figure 16 and store in a safe place.

**Fig. 16**



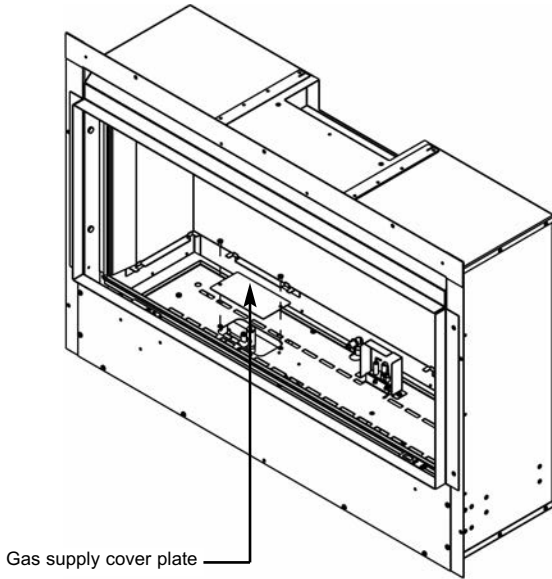
2.3.6 This will allow access to the 2 off burner retaining screws, 1 off at each side as shown below in figure 17. With the 2 off burner screws removed, loosen the screw holding the injector then lift the burner unit clear then remove in a forward direction. NOTE : On LPG models it will be necessary to remove the 2 off M4 cap screws which hold the air box / injector carrier to the rear of the burner with the 3mm allen key provided in the loose items pack.

**Fig. 17**



2.3.7 The gas supply cover plate then can be removed via 2 screws as shown below in figure 18.

**Fig. 18**

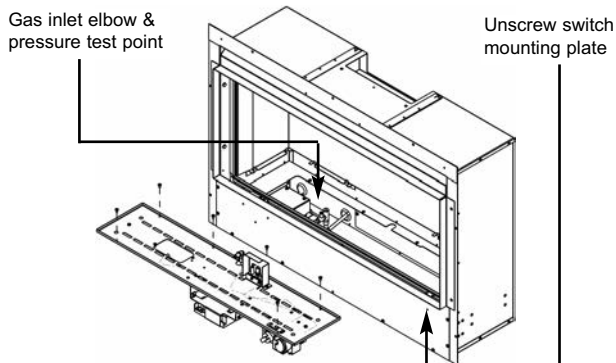


2.3.8 Make the gas connection to the inlet elbow as prepared in section 2.5. The burner plate can be removed by removing 6 off screws as shown below in figure 19 to allow the gas supply pipe to be routed. Before making the final gas connection, thoroughly purge the gas supply pipework to remove all foreign matter, otherwise serious damage may be caused to the gas control valve on the fire.

**Failure to purge the gas supply will invalidate the guarantee.**

2.3.9 Replace the burner unit in reverse order as shown below in figure 19.

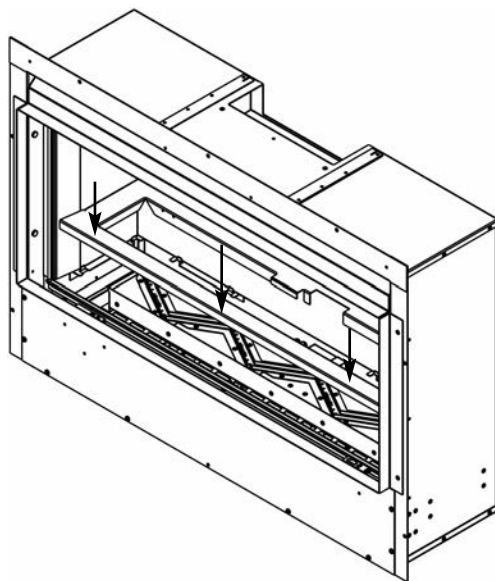
**Fig. 19**





- 2.3.10 Remove the pressure test point screw from the inlet elbow and fit a manometer.
- 2.3.11 Turn on the main gas supply and carry out a gas tightness test as per section 2.4
- 2.3.12 Fit the batteries to the battery box and handset as per section 3.2
- 2.3.13 Finish the surface covering around the opening as shown in section 2.5
- 2.3.14 Replace the burner tray cover as shown below in figure 20, the ceramics as shown in section 3.1 / 3.2 as applicable and glass panel. Replace the side trims which are retained by magnets and the front grill, then proceed to section 3.3 (lighting the appliance).

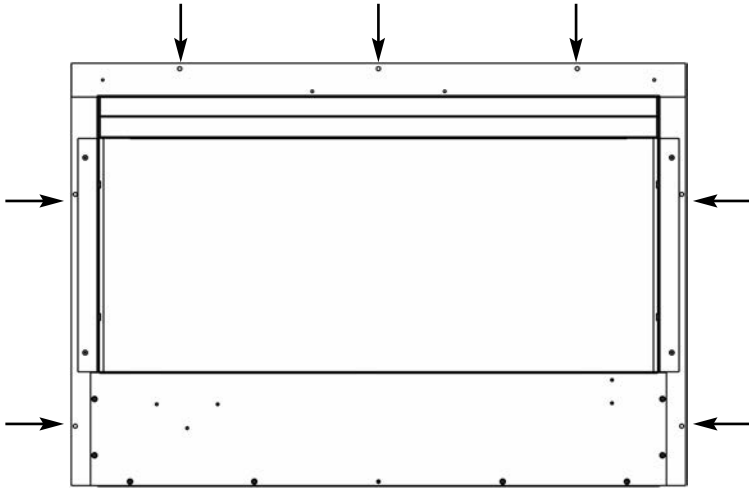
**Fig. 20**



- 2.3.15 Secure the firebox to the opening via the fixing holes on the firebox flange as shown overpage in figure 21.

2.3.16 The firebox should be secured to the opening using a minimum of 4 off fixings (not supplied) that are suitable for the wall type the fire is being installed into. Below (figure 21) is a diagram to indicate the hole centre positions available on the firebox to facilitate the fixing to the opening.

**Fig. 21**



## 2.4 GAS TIGHTNESS AND INLET PRESSURE

**THIS APPLIANCE IS INTENDED FOR USE ON A GAS SUPPLY WITH A GOVERNED METER.**

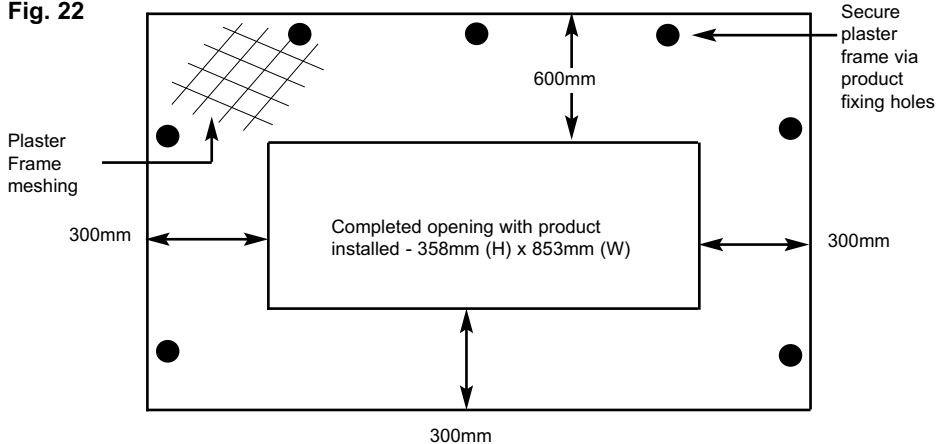
- 2.4.1 Remove the pressure test point screw from the inlet elbow and fit a manometer.
- 2.4.2 Turn on the main gas supply and carry out a gas tightness test.
- 2.4.3 See section 3.3 for full details of the operating method for the fire. The fire will then commence its ignition sequence and will light to high.
- 2.4.4 Check that the gas pressure is **20.0 mbar (+/- 1.0mbar) 8.0 in w.g.(+/- 0.4 in w.g.) for natural gas (G20) models or 37.0 mbar (+/- 1.0mbar) 14.8 in w.g.(+/- 0.4 in w.g.) for LPG models.**
- 2.4.5 Turn off the fire, remove the manometer and refit the pressure test point screw. Check the pressure test point screw for gas tightness with the appliance turned on using a suitable leak detection fluid or detector.

**PLEASE NOTE - THE WORKING PRESSURE TEST ON THIS PRODUCT NEEDS TO BE COMPLETED BEFORE THE FUEL-BED IS FITTED.**

## 2.5 FINISHING OF THE PRODUCT APERTURE / FITTING THE PLASTERING FRAME

- 2.5.1 The area below around the appliance will require a high temperature plaster finish around the appliance due to the high heat output level of the product, see figure 22. A plastering frame is available as an optional extra to assist in obtaining this finished surface, please order part number 1178-182370. To prevent plaster cracking and discolouration, finish the 600mm area above and the 300mm area at the side and below with a high temperature plaster finish as follows :-

Fig. 22



- 2.5.2 The high temperature plaster should be applied over a heat proof screed to the manufacturers instructions (see below for manufacturers contact details) and left to dry for a minimum of 3 days.
- 2.5.3 Supplier's contact details for heat proof screed & plaster are as follows :-

Vitcas Ltd.  
8 Bonville Road  
Brislington  
Bristol  
BS4 5NZ  
Tel : 0117 911 7895  
www.vitcas.com  
info@vitcas.com

or The Greener Company  
The Old Canteen  
Rosemount Works  
Huddersfield Road  
Elland  
HX5 0EE  
Tel : 01925 750290  
www.thegreenercompany.com

## 2.6 INSTALLING THE “AVIGNON” SURROUND

2.6.1 Unpack the surround from the wooden crate, check all parts are present as per figure 23 overpage and carefully store the components.

2.6.2 The underside of the hearth should be painted with a weak PVA (8 parts water to 1 part PVA). This will prevent staining penetrating through the stone. The hearth must be centered to the opening. If the fireplace is to be installed on a chimney breast ensure that the opening is also centered to the chimney breast. It is essential that the hearth is completely level. The hearth must be bedded down on bonding or an equivalent material. Avoid cement based products and ensure the hearth is firmly fitted and well supported. Allow the bedding material to set before any weight is placed onto the hearth. Wipe off any surplus bonding material with a wet sponge.

2.6.3 Fit bottom section to hearth, ensure it is central before fixing with a suitable mastic adhesive.

2.6.4 Fit brackets to top of legs, offer leg up to wall and mark position of fixing hole on wall, use shelf to ensure legs are correctly spaced / positioned. Remove shelf then cover hearth with dust sheet and drill the fixing holes. Remove the brackets from the legs, fix the side infills into place with suitable adhesive and secure the leg fixing brackets only to the wall. Fit legs to brackets that have been securely attached to the wall with fixings as detailed in 2.6.5

**2.6.5 Assess the chimney breast onto which the fire is to be installed and ensure that it is of sound construction and suitable for supporting the weight of the surround. Fixings used to secure the leg brackets to the masonry of the chimney breast shall be of expansive stainless steel or galvanised steel type masonry fixings for dense concrete blockwork or brickwork. Where fixings are located into light weight blockwork or friable aggregate blocks, the fixings shall be of the resin anchor type.**

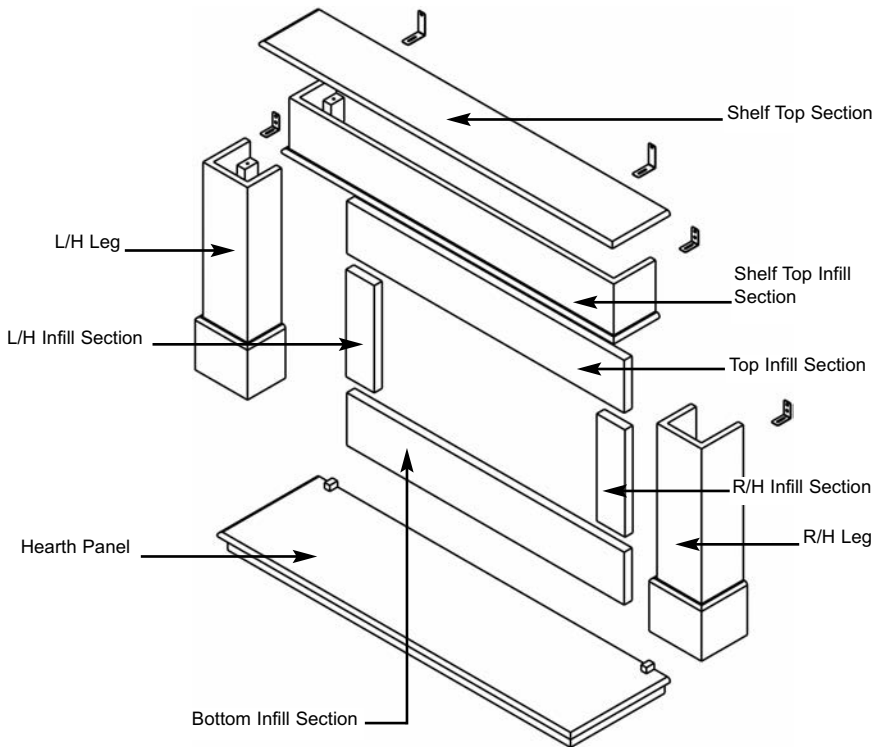
2.6.6 Fix the shelf top infill section and shelf infill into place again utilising the same procedure as for the legs, i.e. mark positions, drill holes to suit, remove brackets and secure brackets to wall with suitable fixings as detailed in 2.6.5

2.6.7 Fit shelf top section into place ensuring it is correctly centered, mark the position of holes for securing brackets on wall, remove shelf and drill wall and insert fixings in accordance with 2.6.5, these brackets can be recessed if required.

2.6.8 Once the fireplace is correctly installed, grout all of the joints including between the fireplace and the wall with a water based cream mastic or tile grout. Ensure all surplus grout is immediately removed by washing the stonework using a sponge and clean water.

**Fig. 23 - "Avignon" Surround**

Contents of Avignon surround :-



- 1 off hearth panel
- 1 off R/H leg
- 1 off L/H leg
- 1 off R/H infill section
- 1 off L/H infill section
- 1 off bottom infill section
- 1 off shelf top infill section
- 1 off shelf top section
- 1 off top infill section

**NOTE : It is recommended that a spillage test is completed before fixing / sealing the fire surround in place.**

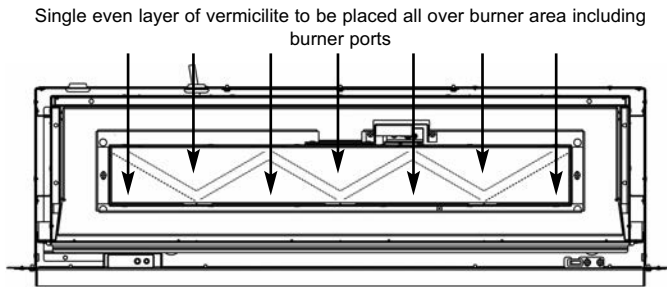
## SECTION 3 INSTALLATION OF FIRE

### 3.1 FITTING THE FUEL-BED LOGSET

**IF FITTING THE PRODUCT WITH THE PEBBLE FUELBED, PLEASE PROCEED TO SECTION 3.2**

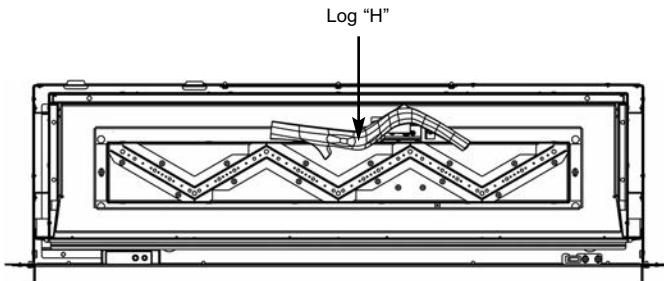
3.1.1 The vermiculite material should then be first layed around the burner tray as shown below in figure 24, resulting in an even layer.

**Fig. 24**



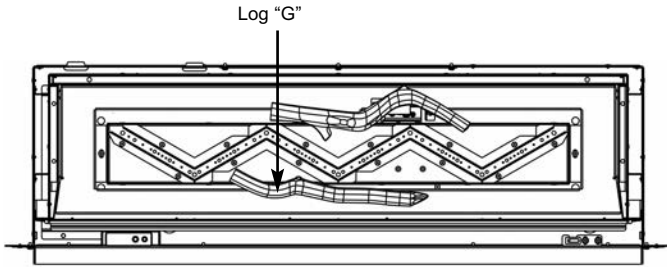
3.1.2 Place Log "H" at the centre rear of the burner tray as shown below in figure 25.

**Fig. 25**



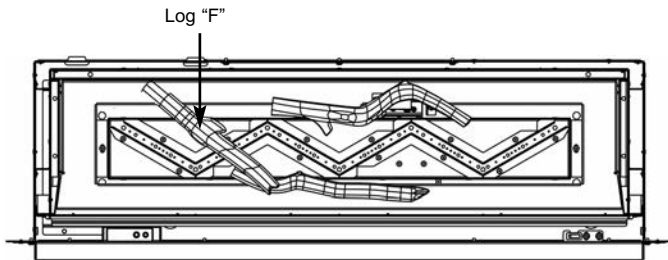
3.1.3 Place Log “G” at the centre left hand side of the burner as shown below in figure 26.

**Fig. 26**



3.1.4 Place Log “F” at the left hand side of the burner tray resting on Log “G” as shown below in figure 27.

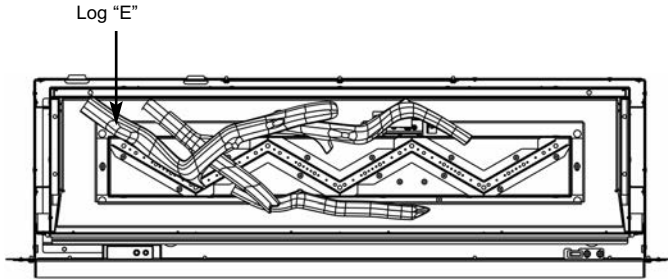
**Fig. 27**





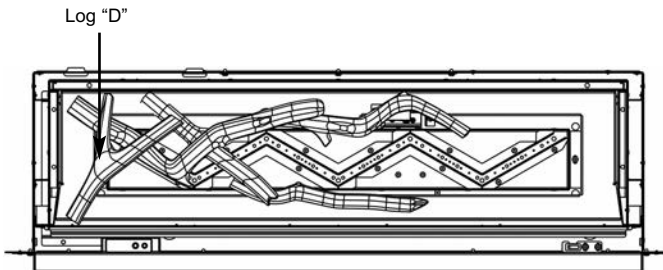
3.1.5 Place Log “E” at the left hand side of the burner, resting on Log “F” and Log “H” as shown below in figure 28.

**Fig. 28**



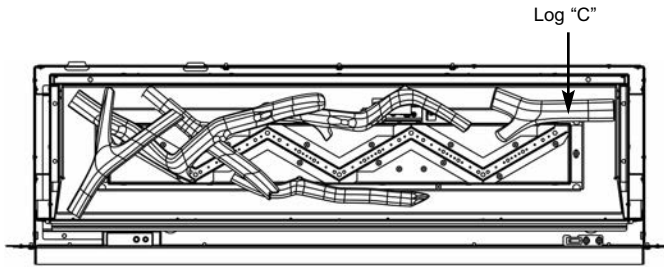
3.1.6 Place Log “D” at the left hand side of the burner tray locating on Log “E” and Log “F” as shown below in figure 29.

**Fig. 29**



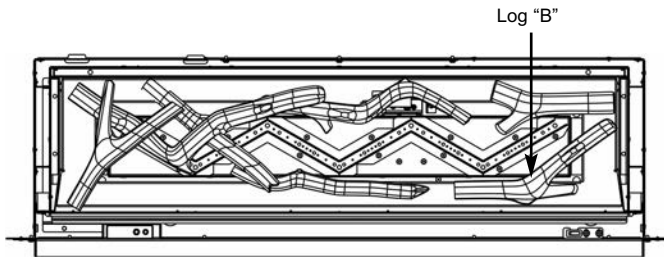
- 3.1.7 Place Log "C" at the right hand rear side of the burner tray as shown below in figure 30.

**Fig. 30**



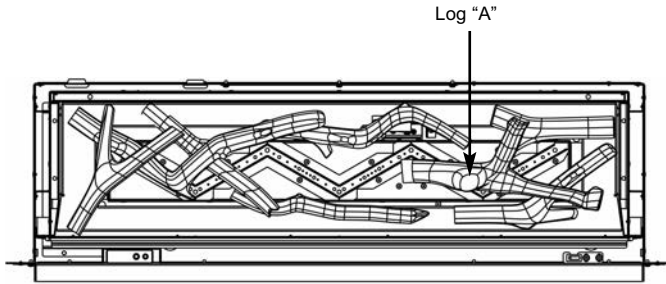
- 3.1.8 Place Log "B" to the front right hand side of the burner tray locating on the branch of Log "1" as shown below in figure 31.

**Fig. 31**



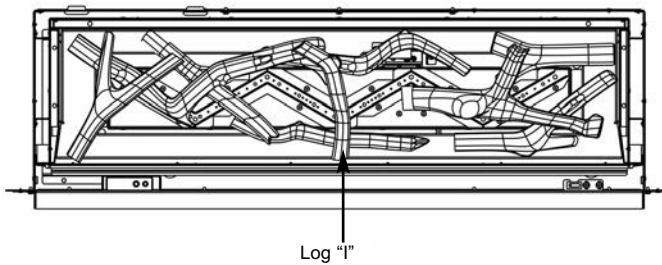
3.1.9 Place Log "A" to the centre middle right hand side of the burner tray locating on Log "B" and Log "C" as shown below in figure 32.

**Fig. 32**



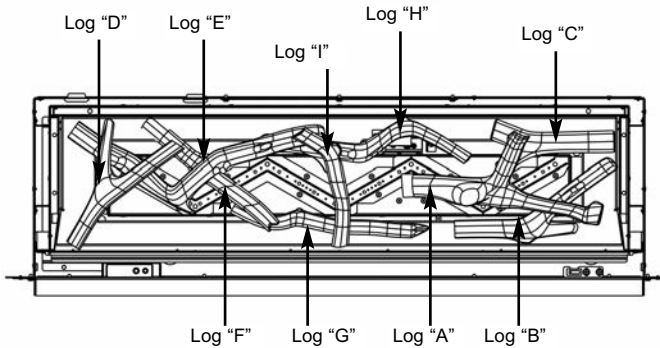
3.1.10 Place Log "I" to the centre of the burner tray locating on Log "G" and Log "H" as shown below in figure 33.

**Fig. 33**



- 3.1.11 Complete a final check to ensure all logs are positioned as shown below in figure 34.

**Fig. 34**



- 3.1.11 If required, fit the glow fibre material over the flame ports. To do this, separate into short strands and place randomly over the flame porting area.
- 3.1.12 Refit the glass panel in reverse order to that as described in section 2.3.1 to 2.3.4, fit the batteries as shown in item 3.2 then light the appliance as described as in section 3.3

**IMPORTANT NOTE : PLEASE ENSURE THAT WHEN COMMISSIONING THE FIRE THE FLAME PATTERN IS EVEN ACROSS THE WIDTH OF THE BURNER. IF AN UNEVEN FLAME PATTERN IS FOUND THEN RELAY THE QUANTITY VERMICULITE TO ACHIEVE AN EVEN FLAME PATTERN.**

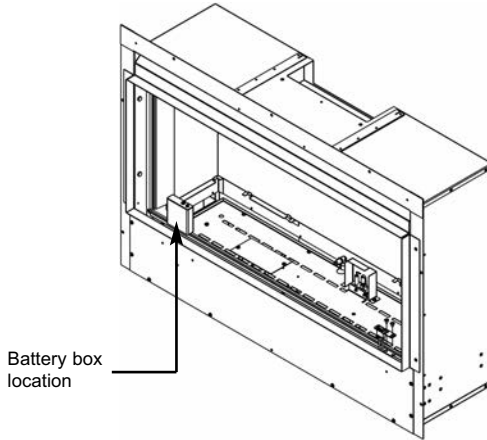
**Warning :** Use only the logs supplied with the fire. When replacing the logs remove the old logs and discard them. Fit a complete set of logs of the correct type. Do not fit additional logs or any logs other than a genuine replacement set.

**This appliance does not contain any component manufactured from asbestos or asbestos related products.**

## 3.2 FITTING THE BATTERIES

3.2.1 The battery pack is located under the front grill as shown below in figure 35.

**Fig. 35**



3.2.2 Lift battery pack from its retaining bracket, remove rear cover (held in position by screw) and then fit 4 off AA batteries. Replace cover and then re-position battery pack within retaining bracket.

3.2.3 Fit 1 off PP3 sized 9V battery to handset - removing rear cover, fit batteries and replace rear cover.

### 3.3 LIGHTING & OPERATION OF THE FIRE

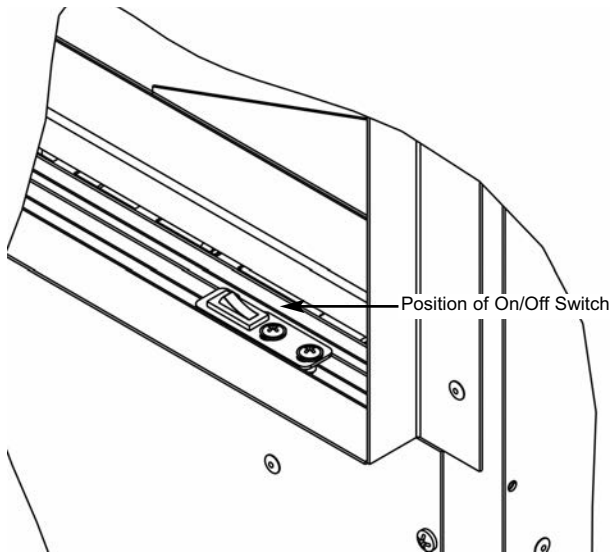
**IMPORTANT** : IF THE BURNER IS EXTINGUISHED FOR ANY REASON YOU MUST ENSURE THAT YOU WAIT A FULL FIVE MINUTES BEFORE ATTEMPTING TO RE-LIGHT THE FIRE.

The fire is controlled by the remote handset supplied with the fire. Ensure the batteries as supplied in the loose items pack have been fitted to the fire and the handset before attempting to light it. There are 3 modes of operation of the product, "MANUAL mode", "TEMPERATURE mode" and "TIMER mode".

#### 3.3.1 Operation of the Fire in "MANUAL" mode

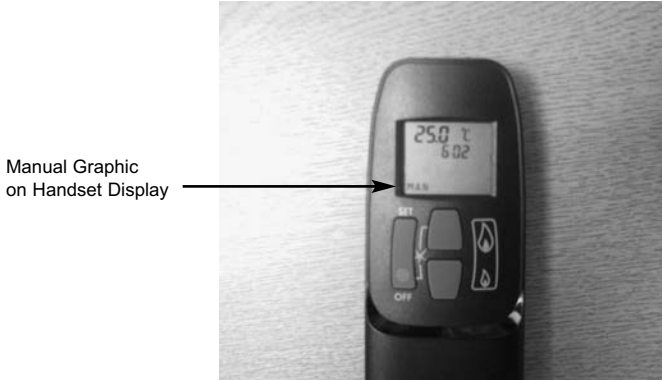
- 3.3.1.1 Locate the ON/OFF switch on the appliance, it is situated as shown below in figure 36 at the right hand side of the fire. Ensure that the on / off switch is in the "ON" (1) position.

**Fig. 36**



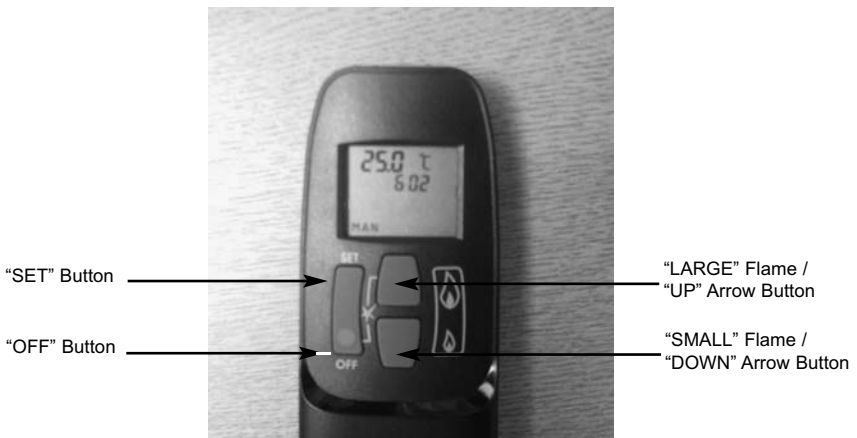
3.3.1.2 The remote handset is now used to control all functions of the fire. To light the fire, press the “UP” arrow and and “OFF” button simultateously as shown on figure 37 below. You will hear a click and the fire begins a 30 second ignition process. The pilot and main burner will light. The appliance is now in “MANUAL mode” which will be shown via the “MAN” graphic on the display of the handset as shown below in figure 37.

**Fig. 37**



3.3.1.3 With the product in “MANUAL” mode the fire can now be switched between HIGH rate heat input and LOW rate heat input by pressing the “DOWN” arrow on the handset. To reduce the flame height of the main burner incrementally, press the arrow momentarily. To reduce the heat input directly down to the minimum level, press the “SMALL” flame arrow on the handset twice, “LO” will be displayed. NOTE : The flame will go to HIGH rate heat input before going to designated LOW rate heat input. To return back to HIGH rate heat input press the “LARGE” flame button twice. To put the fire in In “STANDBY MODE” (only the pilot remains lit) press and hold the “SMALL” flame arrow on the handset. See figure 38 below.

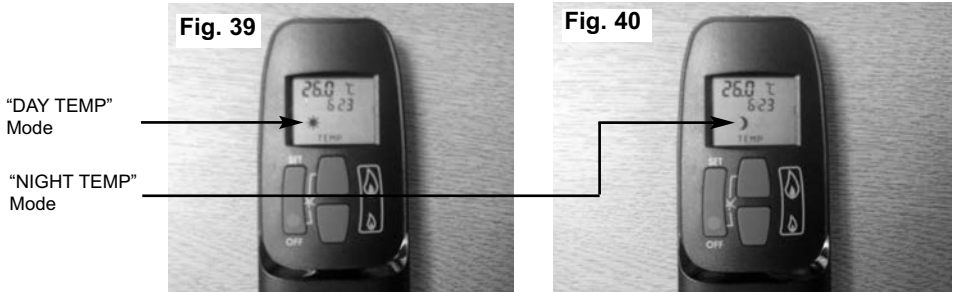
**Fig. 38**



3.3.1.4 To turn the fire off, press the “OFF” button, this will extinguish all flames including the pilot.

### 3.3.2 Operation of the Fire in “TEMPERATURE” mode

3.3.2.1 In order to change the mode of operation from “MANUAL” to “TEMPERATURE”, press the “SET” button, the fire will then change to either “DAY TEMP” (figure 39) mode or “NIGHT TEMP” mode (figure 40). To alternate between the 2, press the “SET” button. **The display on the handset will show the current temperature in the room.**



**NOTE :** The “SET” button allows you to alternate between all modes of operation :- “MANUAL”, “DAY TEMP”, “NIGHT TEMP”, “TIMER”, “LIGHT / DIMMER” and then back to “MANUAL”. Alternatively, pressing either the “UP” or “DOWN” arrow allows the unit to revert to “MANUAL” mode. **Fire must be in standby mode (pilot must be lit) for temperature mode to be used.**

3.3.2.2 Within the “TEMPERATURE” mode there are options for either “DAY TEMP” or “NIGHT TEMP”. These temperatures can be set independently to allow a higher temperature to be maintained at night than during the day, or if setting the same temperature for day and night the fire will compensate for the generally cooler evening temperatures and automatically increase the heat input level accordingly.

3.3.2.3 To set the temperature, ensure the handset is in “TEMPERATURE” mode and then press the “SET” button until the “TEMP” display flashes then let go. Proceed to set the desired temperature by pressing the “UP” (large flame) or “DOWN” (small flame) arrows as necessary, then press “OFF” to complete the process.

NOTE : Minimum temperature is 5°C, Maximum temperature is 30°C, or minimum 41F to maximum 86F when in Fahrenheit mode.

3.3.2.4 Press the “OFF” button to stop the display flashing or wait to return to “TEMPERATURE” mode. NOTE : If you set a temperature below the current room temperature the fire will switch to standby mode (pilot



burner only) until the room has cooled to the temperature you have set on the handset display.

- 3.3.2.5 If you would like the “NIGHT TEMP” to turn the fire off then decrease the temperature until [----] is displayed.

### 3.3.3 Operation of the Fire in “TIMER” mode

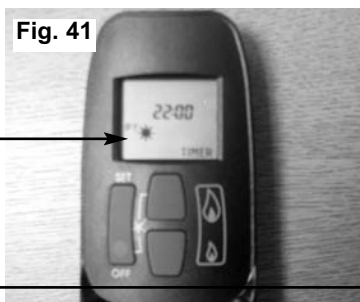
- 3.3.3.1 In order to change the mode of operation from “MANUAL” to “TIMER”, press the “SET” button, the fire will then alternate between the settings until the “TIMER” mode is displayed.

**NOTE :** The “SET” button allows you to alternate between all modes of operation :- “MANUAL”, “DAY TEMP”, “NIGHT TEMP”, “TIMER” and back to “MANUAL”. Alternatively, pressing either the “UP” or “DOWN” arrow allows the unit to revert to “MANUAL” mode. **Fire must be in standby mode (pilot must be lit) for temperature mode to be used.**

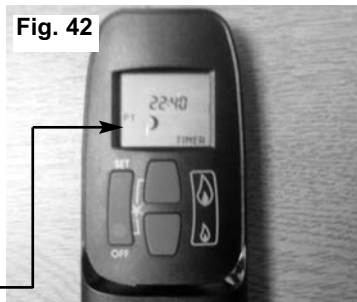
- 3.3.3.2 Within the “TIMER” setting mode there are two programmable settings you can make over a 24 hour period, namely P1 and P2. To set the timer, ensure the handset is in “TIMER” mode as detailed in section 3.2.3.1 above.

- 3.3.3.3 To set the P1 timed start setting, press and hold the “SET” button until the P1 (sun symbol is displayed as per figure 41 below) and the time flashes. Set the hour by pressing the “UP” (large flame) and set the minutes (in ten minute increments) by pressing the “DOWN” (small flame) as necessary, then press “OFF” button to complete the process. Repeat for the P1 (moon symbol is displayed as per figure below) Set the hour by pressing the “UP” (large flame) and set the minutes (in ten minute increments) by pressing the “DOWN” (small flame) as necessary, then press “OFF” button to complete the process.

P1 with “Sun” symbol illuminated



P1 with “Moon” symbol illuminated



- 3.3.3.4 To set the P2 timed setting, press the "SET" button until the "TIMER" mode is displayed. Hold the "SET" button until the display flashes the current time for P1. Press the "SET" button again to scroll past the setting for P1 (sun) and P1 (moon). The time should now be flashing on the handset. Set the hour by pressing the "UP" (large flame) and set the minutes (in ten minute increments) by pressing the "DOWN" (small flame) as necessary, then press "OFF" button to complete the process.

### **3.3.5 Low Battery Signal**

- 3.3.5.1 When the battery in the handset needs replacing, "BATT" will be displayed on the handset.
- 3.3.5.2 Remove the cover on the rear of the handset and replace the 9V battery as necessary.

### **3.3.6 To Set the Time on the Remote Handset**

- 3.3.6.1 Simultaneously press the "UP" (large flame) arrow and "DOWN" (small flame) arrow buttons on the remote handset.
- 3.3.6.2 Press the "UP" (large flame) arrow to set the hour and the "DOWN" (small flame) arrow to set the minutes.

### **3.3.7 To Set the °C / 24 Hour or °F / 12 Hour Clock**

- 3.3.7.1 Press and hold the "OFF" and the "DOWN" (small flame) arrow buttons on the handset simultaneously until the display changes from °C to °F and vice versa.

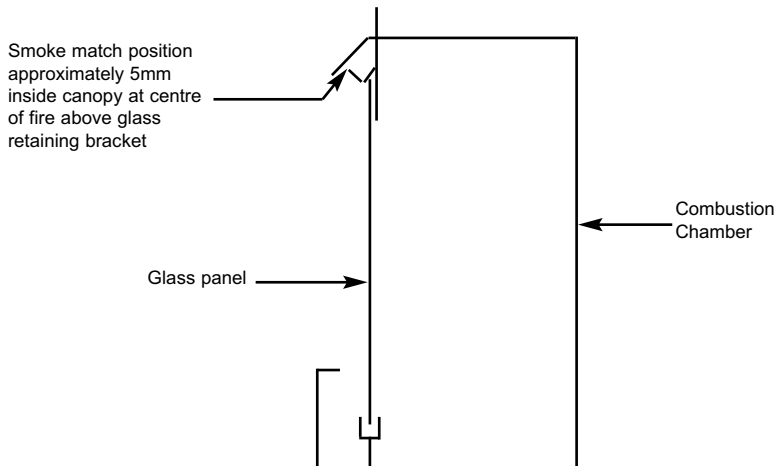
### **3.3.8 Fitting the handset wall bracket**

- 3.3.8.1 The wall bracket is supplied in the loose items pack and is optional to fit.
- 3.3.8.2 If fitting the wall bracket, **please be advised that the thermostatic sensor is contained within the handset itself, so the position of the wall bracket will therefore be the position of temperature measurement within the room.** To fit, position as necessary, mark hole positions, drill and secure with fixings provided.

### 3.4 CHECKING FOR CLEARANCE OF COMBUSTION PRODUCTS

- 3.4.1 Close all doors and windows in the room.
- 3.4.2 Light the fire and allow to run for approximately 5 minutes on high position.
- 3.4.3 After approximately 5 minutes hold a smoke match just inside and below the centre of the lower front canopy at the top of the fire (see figure 43 below). It is recommended that a suitable smoke match holder is used when checking for clearance of combustion products). All smoke generated should be drawn back into the flue. If slight spillage occurs or if in doubt, repeat the test after a further 5-10 minutes. **If the test indicates that spillage is occurring and the flue restrictor baffle has been fitted, it should be removed (see section 3.5) and the test repeated after the fire has cooled.**
- 3.4.4 If spillage persists, the flue is not functioning correctly and a fault exists. If, after investigation the fault cannot be traced and rectified, the fire must be disconnected from the gas supply and expert advice obtained.
- 3.4.5 If there is an extractor fan fitted any where in the vicinity of the appliance, or in adjacent rooms the spillage test should be repeated with the fan running on maximum and all interconnecting doors open. After ensuring that the fire is safe to use it should be left on high

**Fig. 43**



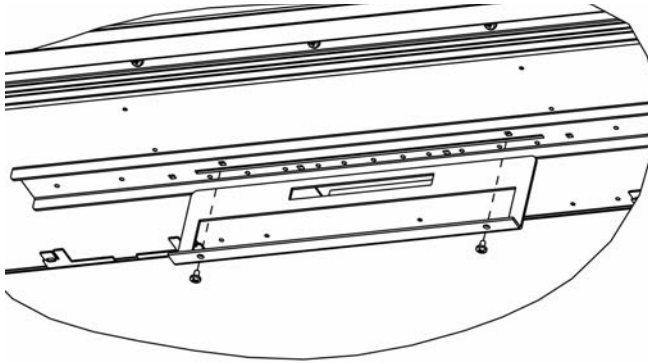
### 3.5 REMOVAL / RE-FITTING OF THE EFFICIENCY BAFFLE

3.5.1 Remove the glass panel as shown in section 2.3.1 to 2.3.4

3.5.2 The efficiency baffle is provided in the loose items pack and fitted to the inner roof of the combustion chamber, secured by 2 off screws.

3.5.3 Remove / replace the screws as necessary and fit or remove the efficiency baffle onto the appliance as shown below in figure 44.

**Fig. 44**



3.5.4 Replace glass panel in reverse order.

## SECTION 4 MAINTENANCE

### Servicing Notes

Servicing should be carried out annually by a competent person such as a GAS SAFE registered engineer. **This is a condition of the guarantee schemes.** The service should include visually checking the chimney and fire opening for accumulations of debris and a smoke test to check for a positive up-draught in the chimney. To access the debris collection void a removeable plate is positioned on the rear face of the firebox box behind the burner. The oxy-pilot on the burner unit must also be changed as a condition of the guarantee. The condition of the fuel-bed should be checked and **if necessary the whole item should be replaced with a genuine replacement item.** The burner assembly is designed to be removed as a complete unit for ease of access. **After any servicing work a gas tightness check must always be carried out.**

#### 4.1 Removing the burner assembly from the fire.

4.1.1 Prepare work area (lay down dust sheets etc.)

4.1.2 Remove the glass assembly, remove the vermiculite and logs.

4.1.3 Isolate the gas supply and remove the supply pipe from the appliance inlet elbow. Remove the two off screws which hold the burner in position & then loosen injector screw, lift burner unit clear. Remove gas supply cover plate held in position by two screws and isolate gas supply. Remove six off screws and burner controls assembly can be lifted clear. Take care not to damage battery pack or on/off switch and wiring.

4.1.4 To refit the burner assembly, locate the burner controls assembly and refit the six off screws. Refit the burner via two off screws and re-tighten the injector retaining screw. Refit the gas supply pipe and carry out a gas tightness test. Refit the fuel-bed referring to section 3 for the correct log positions. Re-fit the glass panel.

#### 4.2 Removing the gas control valve from the fire.

4.2.1 Remove the burner from the combustion chamber as described in section 4.1 above.

4.2.2 Disconnect the inlet, outlet, pilot pipes and thermocouple connection from the control valve.

4.2.3 Replace in reverse order and carry out a gas tightness test.

### **4.3 Removing the receiver unit / control board.**

- 4.3.1 Remove the burner from the combustion chamber as described in section 4.1.
- 4.3.2 Disconnect the control wires from the receiver unit / control board.
- 4.3.3 Disconnect the ignition wire.
- 4.3.4 Re-fit the new receiver and re-fit the control wires to the control valve.
- 4.3.5 Re-assemble the burner unit to the combustion chamber and carry out a gas tightness test.

### **4.4 Removing the pilot assembly**

- 4.4.1 Remove the burner from the combustion chamber as described in section 4.1.
- 4.4.2 Disconnect the pilot supply pipe, ignition wire and thermocouple connection to the gas control valve.
- 4.4.3 Remove the pilot retaining screws and lift the pilot assembly clear
- 4.4.4 Re-assemble in reverse order and carry out a gas tightness test.

### **4.5 Replacing the Batteries in the Handset**

- 4.5.1 Remove and re-fit the new 1 off 9V battery by removing the cover on the back of the handset.

### **4.6 Checking for Flue Debris**

- 4.6.1 Remove the burner assembly as detailed in section 4.1
- 4.6.2 Locate the removeable backplate on the rear face of the firebox at the bottom.
- 4.6.3 Remove the 2 screws that hold the removeable backplate on the rear face of the firebox.
- 4.6.4 Remove any debris.
- 4.6.5 Replace the removeable backplate on the rear face of the firebox.
- 4.6.6 Re-assemble in reverse order and carry out a gas tightness test.

## 4.7 Parts Shortlist

GV60 gas control valve	B-92200
GV60 receiver unit	B-153140
GV60 thermostatic handset	B-148120
Handset wall bracket	B-126410
Battery pack	B-110160
NG ODS / Pilot	B-128100
LPG ODS / Pilot	B-128110
Glass panel	B-1004772
Complete log set	B-184070
Log A only	B-184390
Log B only	B-184410
Log C only	B-184400
Log D only	B-184330
Log E only	B-184340
Log F only	B-184350
Log G only	B-184360
Log H only	B-184380
Log I only	B-184370
Glow Fibre	B-120070
Vermiculite	CV-107116



## SECTION FIVE - USER INSTRUCTIONS

### 5.1 INSTALLATION INFORMATION

#### CONDITIONS OF INSTALLATION

It is the law that all gas appliances are installed only by a competent (e.g. Registered) Installer, in accordance with the installation instructions and the Gas Safety (Installation and Use) Regulations 1998. Failure to install appliances correctly could lead to prosecution. It is in your own interest and that of safety to comply with the law.

The fire may be fitted below a combustible shelf provided that the shelf is at least 200mm above the top of the appliance and the depth of the shelf does not exceed 150mm.

The fire may be installed below combustible shelves which exceed 150mm deep providing that the clearance above the fire is increased by 15mm for each 25mm of additional overhang in excess of 150mm.

**No purpose made additional ventilation is normally required for this appliance when installed in G.B. When installed I.E. please consult document I.S. 813 : 1996 Domestic Gas Installation which is issued by the National Standards Authority of Ireland. Any purpose made ventilation should be checked periodically to ensure that it is free from obstruction.**

If the chimney or flue has been previously used by appliances burning fuels other than gas they must be swept prior to the installation of this fire.

If this appliance is fitted directly on to a wall without the use of a fireplace or surround, soft wall coverings such as wallpaper, blown vinyl etc. could be affected by the heat and hot convection air and may discolour or scorch. This should be considered when installing or decorating.

The Model number of this appliance is as stated on the rating plate affixed to the control panel of the fire and the appliance is manufactured by:-

BFM Europe Ltd  
Trentham Lakes  
Stoke on Trent  
ST4 4TJ

## 5.2 ABOUT YOUR NEW EDEN ELITE AND EDEN AVIGNON ELITE GAS FIRE

The Collection by Michael Miller “Eden Elite / Eden Avignon Elite” log effect gas fires incorporate a unique and highly developed fuel bed which gives the realism of a loose log layout combined with realistic flames and glow. The use of durable ceramic material in the construction of the fuelbed components ensures long and trouble free operation.

Please take the time to fully read these instructions as you will then be able to obtain the most effective and safe operation of your fire.

### IMPORTANT SAFETY INFORMATION

#### WARNING

**This appliance is a heating appliance and as with all heating appliances a fireguard should be used for the protection of children, the elderly and infirm. Fireguards should conform to B.S. 8423 : 2002 (Fireguards for use with gas heating appliances).**

It is important that this appliance is serviced at least once a year by a GAS SAFE registered engineer. During the annual service, replacement of the oxy-pilot must be carried out. **This is a condition of the manufacturers guarantee.** Any debris or deposits should be removed from the fuel bed from time to time. This may be carried out by referring to the cleaning section as described later in this book. Only the correct number and type of logs must be used and only complete and genuine replacement sets must be used. Always keep furniture and combustible materials well clear of the fire and never dry clothing or items either on or near to the fire. Never use aerosols or flammable cleaning products near to the fire when it is in use.

**The ceramic fuel bed remains hot for a considerable period after use and sufficient time should be allowed for the fire to cool before cleaning etc.**

#### IMPORTANT NOTES :

**DO NOT UNDER ANY CIRCUMSTANCES USE THIS FIRE IF THE GLASS PANEL IS BROKEN, CRACKED OR MISSING.**

## 5.3 LIGHTING THE APPLIANCE

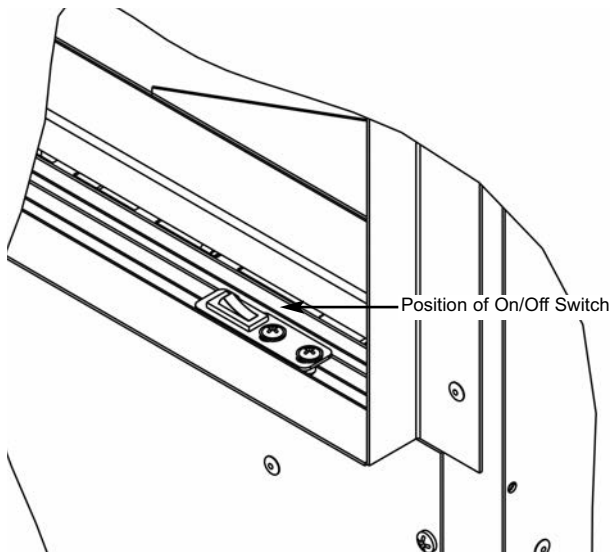
**IMPORTANT** : IF THE BURNER IS EXTINGUISHED FOR ANY REASON YOU MUST ENSURE THAT YOU WAIT A FULL FIVE MINUTES BEFORE ATTEMPTING TO RE-LIGHT THE FIRE.

The fire is controlled by the remote handset supplied with the fire. Ensure the batteries as supplied in the loose items pack have been fitted to the fire and the handset before attempting to light it. There are 3 modes of operation of the product, "MANUAL mode", "TEMPERATURE mode" and "TIMER mode".

### 5.3.1 Operation of the Fire in "MANUAL" mode

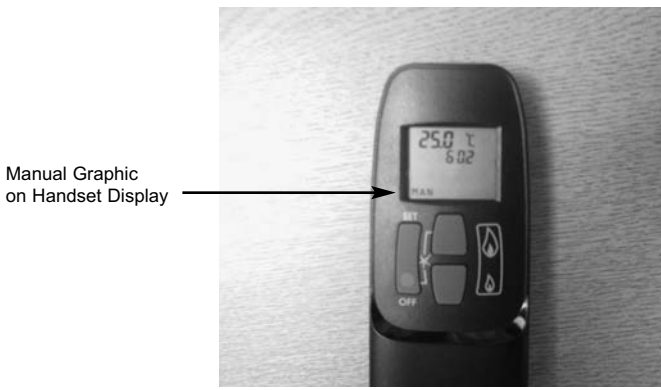
- 5.3.1.1 Locate the ON/OFF switch on the appliance, it is situated as shown below in figure 1. Ensure that the on / off switch is in the "ON" (1) position.

**Fig. 1**



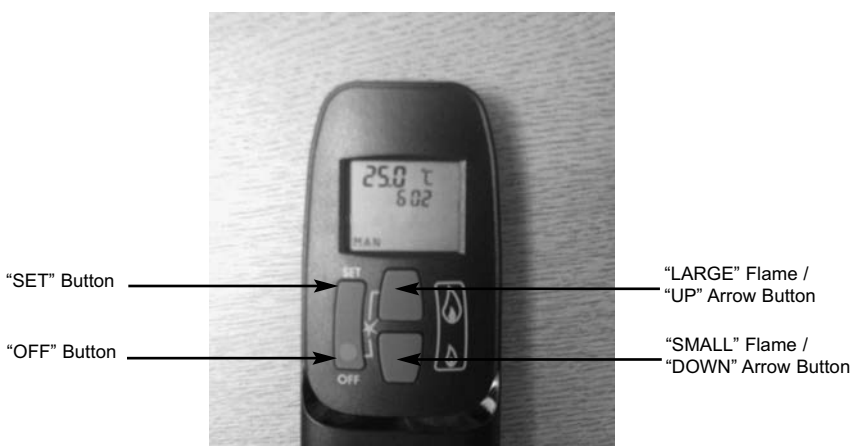
- 5.3.1.2 The remote handset is now used to control all functions of the fire. To light the fire, press the "UP" arrow and "OFF" button simultaneously as shown on figure 2 overpage. You will hear a click and the fire begins a 30 second ignition process. The pilot and main burner will light. The appliance is now in "MANUAL mode" which will be shown via the "MAN" graphic on the display of the handset as shown overpage in figure 2.

**Fig. 2**



5.3.1.3 With the product in “MANUAL” mode the fire can now be switched between HIGH rate heat input and LOW rate heat input by pressing the “DOWN” arrow on the handset. To reduce the flame height of the main burner incrementally, press the arrow momentarily. To reduce the heat input directly down to the minimum level, press the “SMALL” flame arrow on the handset twice, “LO” will be displayed. NOTE : The flame will go to HIGH rate heat input before going to designated LOW rate heat input. To return back to HIGH rate heat input press the “LARGE” flame button twice. To put the fire in In “STANDBY MODE” (only the pilot remains lit) press and hold the “SMALL” flame arrow on the handset. See figure 3 below.

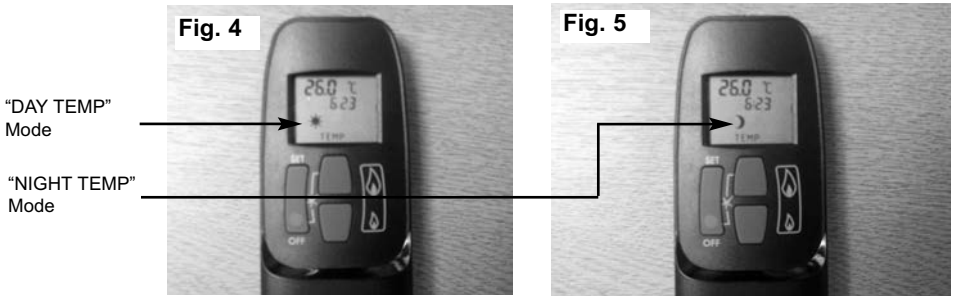
**Fig. 3**



5.3.1.4 To turn the fire off, press the “OFF” button, this will extinguish all flames including the pilot.

### 5.3.2 Operation of the Fire in “TEMPERATURE” mode

5.3.2.1 In order to change the mode of operation from “MANUAL” to “TEMPERATURE”, press the “SET” button, the fire will then change to either “DAY TEMP” (figure 4) mode or “NIGHT TEMP” mode (figure 5). To alternate between the 2, press the “SET” button. **The display on the handset will show the current temperature in the room.**



**NOTE :** The “SET” button allows you to alternate between all modes of operation :- “MANUAL”, “DAY TEMP”, “NIGHT TEMP”, “TIMER”, “then back to “MANUAL”. Alternatively, pressing either the “UP” or “DOWN” arrow allows the unit to revert to “MANUAL” mode. **Fire must be in standby mode (pilot must be lit) for temperature mode to be used.**

5.3.2.2 Within the “TEMPERATURE” mode there are options for either “DAY TEMP” or “NIGHT TEMP”. These temperatures can be set independently to allow a higher temperature to be maintained at night than during the day, or if setting the same temperature for day and night the fire will compensate for the generally cooler evening temperatures and automatically increase the heat input level accordingly.

5.3.2.3 To set the temperature, ensure the handset is in “TEMPERATURE” mode and then press the “SET” button until the “TEMP” display flashes then let go. Proceed to set the desired temperature by pressing the “UP” (large flame) or “DOWN” (small flame) arrows as necessary, then press “OFF” to complete the process.

NOTE : Minimum temperature is 5°C, Maximum temperature is 30°C, or minimum 41F to maximum 86F when in Fahrenheit mode.

5.3.2.4 Press the “OFF” button to stop the display flashing or wait to return to “TEMPERATURE” mode. NOTE : If you set a temperature below the current room temperature the fire will switch to standby mode (pilot burner only) until the room has cooled to the temperature you have set on the handset display.

5.3.2.5 If you would like the “NIGHT TEMP” to turn the fire off then decrease the temperature until [----] is displayed.

### 5.3.3 Operation of the Fire in “TIMER” mode

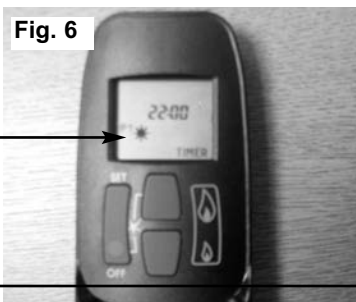
5.3.3.1 In order to change the mode of operation from “MANUAL” to “TIMER”, press the “SET” button, the fire will then alternate between the settings until the “TIMER” mode is displayed.

**NOTE :** The “SET” button allows you to alternate between all modes of operation :- “MANUAL”, “DAY TEMP”, “NIGHT TEMP”, “TIMER” and back to “MANUAL”. Alternatively, pressing either the “UP” or “DOWN” arrow allows the unit to revert to “MANUAL” mode. **Fire must be in standby mode (pilot must be lit) for temperature mode to be used.**

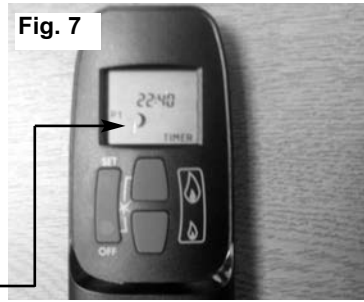
5.3.3.2 Within the “TIMER” setting mode there are two programmable settings you can make over a 24 hour period, namely P1 and P2. To set the timer, ensure the handset is in “TIMER” mode as detailed in section 5.3.3.1 above.

5.3.3.3 To set the P1 timed start setting, press and hold the “SET” button until the P1 (sun symbol is displayed as per figure 6 below) and the time flashes. Set the hour by pressing the “UP” (large flame) and set the minutes (in ten minute increments) by pressing the “DOWN” (small flame) as necessary, then press “OFF” button to complete the process. Repeat for the P1 (moon symbol is displayed as per figure below) Set the hour by pressing the “UP” (large flame) and set the minutes (in ten minute increments) by pressing the “DOWN” (small flame) as necessary, then press “OFF” button to complete the process.

P1 with “Sun”  
symbol  
illuminated



P1 with  
“Moon”  
symbol  
illuminated



## 5.4 CLEANING - WARNING

Before attempting any cleaning operation ensure that the fire has been allowed to fully cool.

### CLEANING THE ENAMELLED METAL PARTS

These enamelled parts should only be cleaned using a clean, damp cloth. The trim is best cleaned by removing it from the fire and placing it face up on a flat surface. **Abrasive cleaners, chemical cleaning agents or any type of polish must never be used as damage to the finish may result.**

### CLEANING THE FUEL BED

We do not recommend cleaning of logs or fuelbed components as these are fragile and damage may result. **None of these parts must be washed or exposed to any cleaning agents or water.** Any damaged parts must be replaced by contacting your dealer or telephoning BFM Europe on the number stated on the rear cover of this book. Logs or pebbles must only be replaced with a complete and genuine replacement set and the fire must never be run with the wrong number or damaged logs or pebbles. The fuelbed must be carefully re-assembled as stated in the following section.

### CLEANING THE GLASS PANEL

To clean the glass panel, please remove it from the product as described overpage on pages 47-48.

This product is equipped with non-reflective glass which must be cleaned as follows or irreparable damage to the coating on the glass panel will occur. The manufacturers warranty will not cover damage by incorrect cleaning methods.

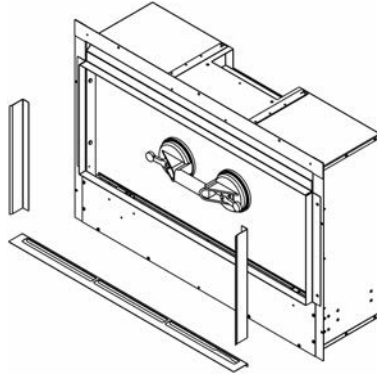
- DO NOT USE ceramic glass cleaning agents.
- DO NOT USE sharp objects or blades to remove marks.
- DO NOT USE dry cloths or wipes.
- DO USE normal glass cleaner such as "Sidolin".
- DO USE soft glass wipes.
- DO USE damp cloths.

PLEASE NOTE :- The glass will require cleaning periodically. Condensation produced by the products of combustion will create marks on the inside face of the glass panel.

## 5.5 REMOVING AND REPLACING THE GLASS PANEL

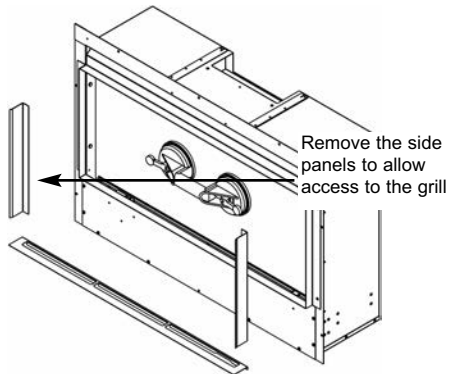
- 5.5.1 To remove the glass panel, the glass clamp as supplied in the loose items pack will be required. Secure the clamp to the glass panel as shown below in figure 8.

Fig. 8



- 5.5.2 Remove the front grill by firstly removing the side trims by simply lifting clear (they are retained by magnets) this will allow the front grill to be lifted away. See figure 9 below.

Fig. 9

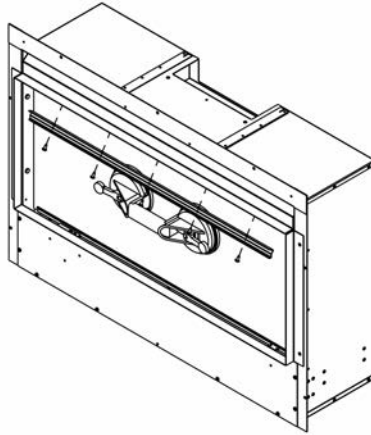


**NOTE :** Always ensure that a consistent seal between the combustion chamber and the glass panel is achieved when replacing the glass panel.



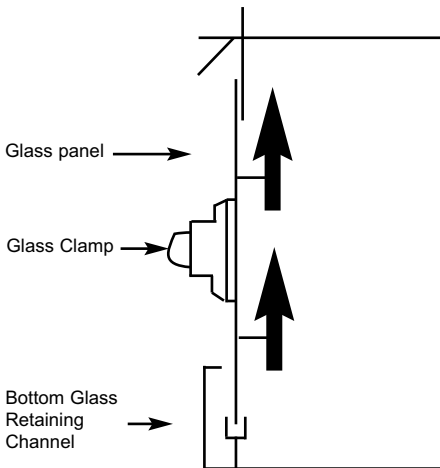
- 5.5.3 Remove the 5 off securing screws and glass panel retaining bracket that are located on the top underside face of the combustion chamber behind the canopy. See figure 10 below.

**Fig. 10**

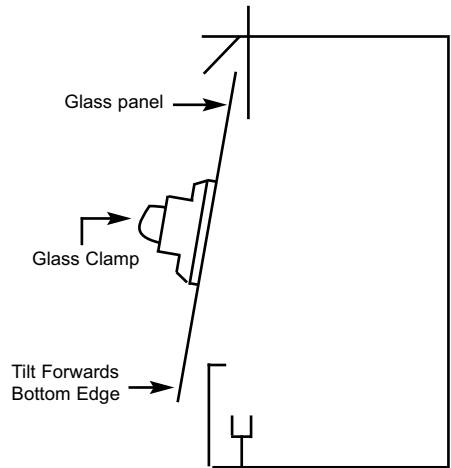


- 5.5.4 Lift the glass panel vertically to release from the bottom retaining channel and then tilt forwards as shown below in figure 11 / 12 to release.

**Fig. 11**



**Fig. 12**

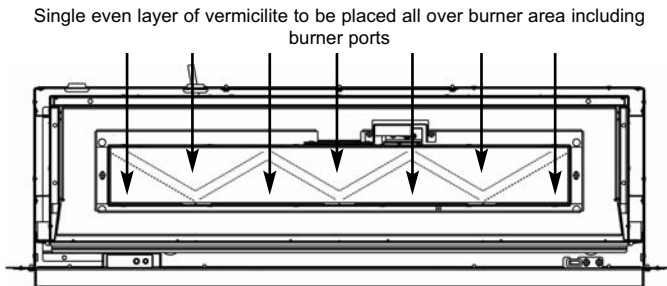


## 5.6 REMOVAL AND REPLACING THE FUEL-BED LOGSET

Remove the glass panel as shown on pages 47-48 before attempting to remove or replace the logs.

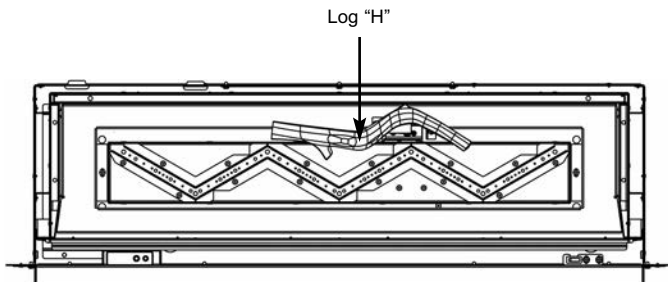
5.6.1 The vermiculite material should then be first layed around the burner tray as shown below in figure 13, resulting in an even layer.

Fig. 13



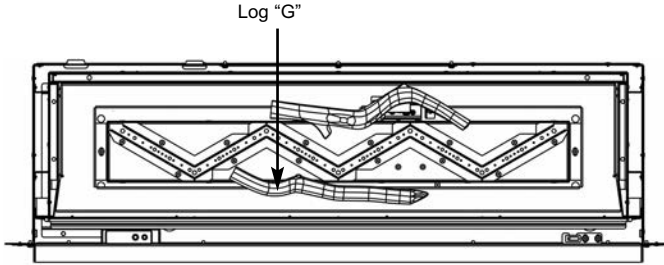
5.6.2 Place Log "H" at the centre rear of the burner tray as shown below in figure 14.

Fig. 14



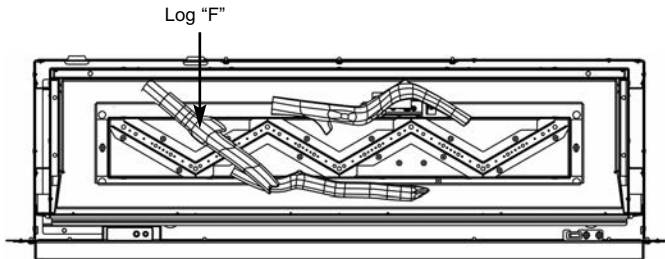
5.6.3 Place Log "G" at the centre left hand side of the burner as shown below in figure 15.

**Fig. 15**



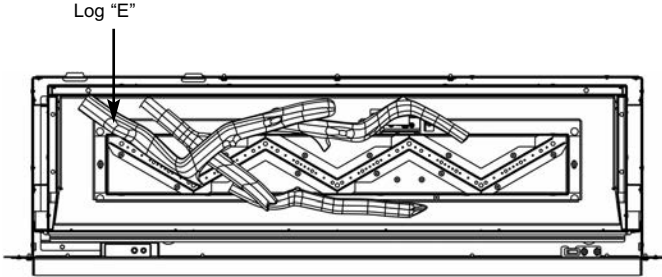
5.6.4 Place Log "F" at the left hand side of the burner tray resting on Log "G" as shown below in figure 16.

**Fig. 16**



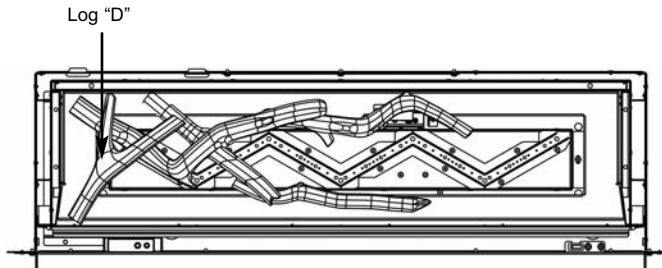
5.6.5 Place Log “E” at the left hand side of the burner, resting on Log “F” and Log “H” as shown below in figure 17.

**Fig. 17**



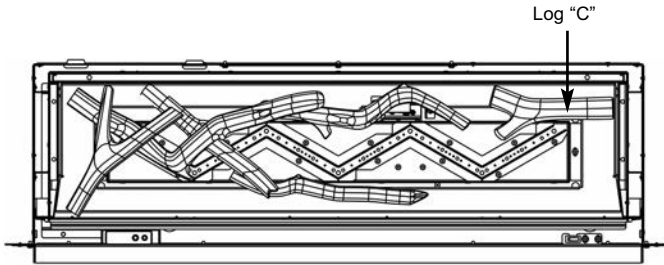
5.6.6 Place Log “D” at the left hand side of the burner tray locating on Log “E” and Log “F” as shown below in figure 18.

**Fig. 18**



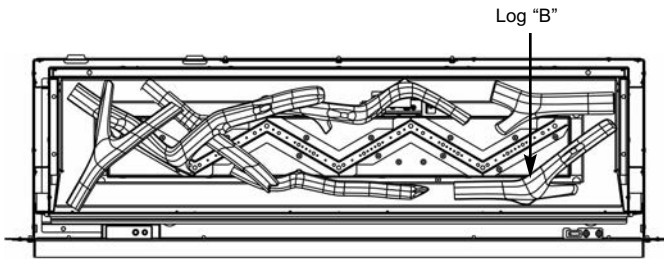
5.6.7 Place Log "C" at the right hand rear side of the burner tray as shown below in figure 19.

**Fig. 19**



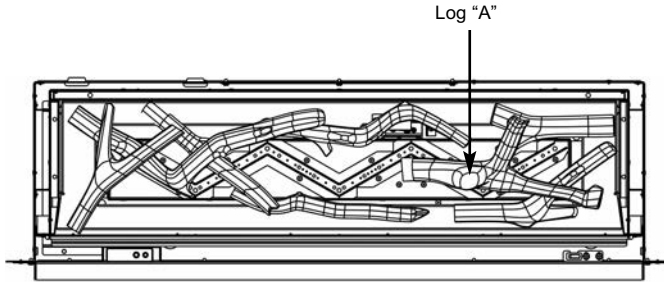
5.6.8 Place Log "B" to the front right hand side of the burner tray locating on the branch of Log "1" as shown below in figure 20.

**Fig. 20**



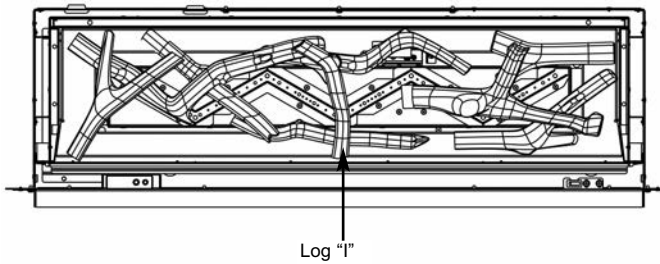
5.6.9 Place Log "A" to the centre middle right hand side of the burner tray locating on Log "B" and Log "C" as shown below in figure 21.

**Fig. 21**



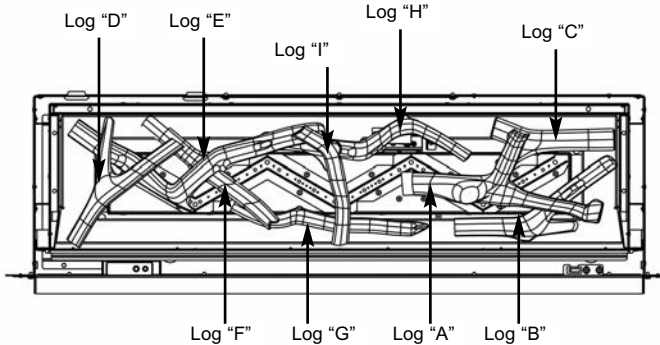
5.6.10 Place Log "I" to the centre of the burner tray locating on Log "G" and Log "H" as shown below in figure 22.

**Fig. 22**



- 5.6.11 Complete a final check to ensure all logs are positioned as shown below in figure 23.

**Fig. 23**



- 5.6.12 If required, fit the glow fibre material over the flame ports. To do this, separate into short strands and place randomly over the flame porting area.
- 5.6.13 Refit the glass panel in reverse order to that as described in section 5.5

**IMPORTANT NOTE : PLEASE ENSURE THAT WHEN COMMISSIONING THE FIRE THE FLAME PATTERN IS EVEN ACROSS THE WIDTH OF THE BURNER. IF AN UNEVEN FLAME PATTERN IS FOUND THEN RELAY THE QUANTITY VERMICULITE TO ACHIEVE AN EVEN FLAME PATTERN.**

**Warning :** Use only the logs supplied with the fire. When replacing the logs remove the old logs and discard them. Fit a complete set of logs of the correct type. Do not fit additional logs or any logs other than a genuine replacement set.

**This appliance does not contain any component manufactured from asbestos or asbestos related products.**

## 5.7 User Replaceable Parts

Complete log set	B-184070
Log A only	B-184390
Log B only	B-184410
Log C only	B-184400
Log D only	B-184330
Log E only	B-184340
Log F only	B-184350
Log G only	B-184360
Log H only	B-184380
Log I only	B-184370
Glow Fibre	B-120070
Vermiculite	CV-107116
Battery Pack	B-110160

**Part No. B-1009045**  
**Issue 2**

The  
**Collection**  
by MICHAEL MILLER

BFM Europe Ltd.  
Trentham Lakes  
Stoke-on-Trent  
Staffordshire  
ST4 4TJ

[www.bfm-europe.com](http://www.bfm-europe.com)

**Telephone - General Enquiries :** (01782) 339000  
**Telephone - Service :** (01782) 339008