

# bemodern

FIRES | FIREPLACES

P R  Z M  
REVOLUTIONIZING FLAMES

## **Volta 42" & Volta 32" Pryzm Inset Fire Conversion Kit**



### **Instructions for installation**

Patent pending  
UK Registered Design

## Contents

---

Conversion Kit Check List	<b>P3</b>
Installation- Introduction	<b>P4</b>
Assembly- <b>Pre-fabricated</b> Chimney Breast	<b>P5</b>
Assembly- Existing <b>Masonry</b> Chimney Breast	<b>P6</b>
Assembly- Fire Conversion Kit Installation	<b>P7</b>
Assembly- Fire Conversion Kit Installation <i>continued</i>	<b>P8</b>
Installation- Positioning the fire	<b>P9</b>
Installation- Magnet Bracket	<b>P10</b>
Installation- Fixing the Fire	<b>P11</b>
Installation- Fixing the Fire <i>continued</i>	<b>P12</b>
Installation- Fitting the Trim	<b>P13</b>
Maintenance	<b>P14</b>

## Conversion Kit Check List



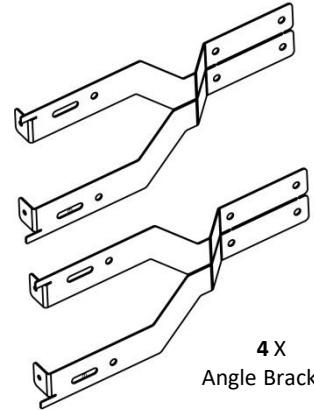
**18 X**  
No.8 x15mm  
Domed-Head  
Screws



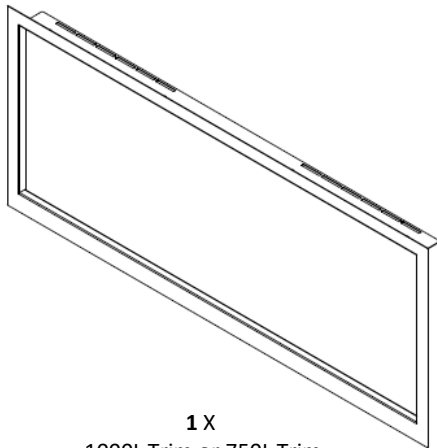
**4 X**  
No.8 x13mm  
Pan-Head  
Washer Screws



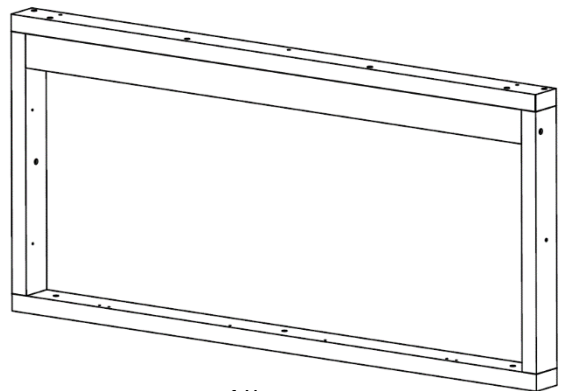
**4 X**  
10 Ø x 4mm  
Magnets



**4 X**  
Angle Brackets

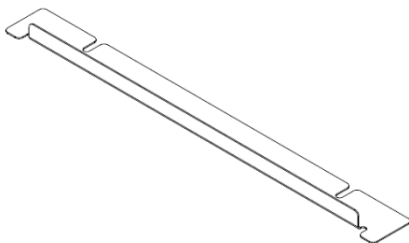


**1 X**  
1000L Trim or 750L Trim  
Dependant on the model purchased

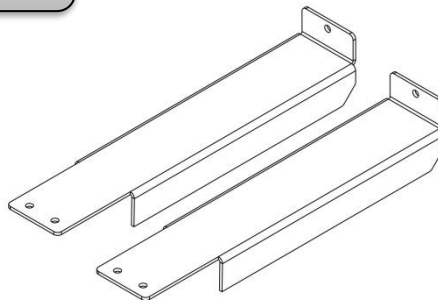


**1 X**  
Pre-assembled 1000L or 750L MDF Framework  
Dependant on the model purchased

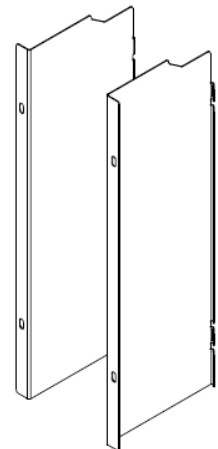
**Note: Please be sure to take extra care when removing the trim from the packaging and handling it during installation.**



**1 X**  
Magnet Bracket



**2 X**  
Fire Support  
Brackets



**2 X**  
Side Panels

**Please ensure all fixings are present before commencing installation. If anything is missing please call Customer Services on 01914300901 or email us at [customerservices@bemodern.co.uk](mailto:customerservices@bemodern.co.uk)**

## Installation Introduction

Before the product can be installed, consideration will need to be given to routing the power supply to the fire. This will affect the stages of the installation process. We advise a qualified electrician conduct any electrical parts of the installation.

**Note: A single wall socket is required for the operation of the fire, please refer to the separate fire instructions for further information.**

This product has been designed to be installed into a **pre-fabricated**, or existing **Masonry** chimney breast.

Please seek advice from a professional, with reference to the structural integrity of the installation site.

If the product is to be installed into a open chimney or flue, it is important that the chimney/flue is blocked off to prevent any up/down draughts and falling debris which could restrict and alter the airflow of the product.

The product should never be sealed into an opening with the use of silicones or adhesives as this can also alter the airflow and hinder any future servicing of the product.

It is essential to include a lintel at the required height to ensure the appliance does not support the weight of the finished wall.

A pre-assembled MDF framework has been supplied to ensure that the product is installed at the required minimum internal clearances for operation. Before commencing with installation please ensure the **Fire Support Brackets** have been attached to the MDF framework, these set the minimum depth required for installation- **238mm**. As shown in **Diagram 1** below.

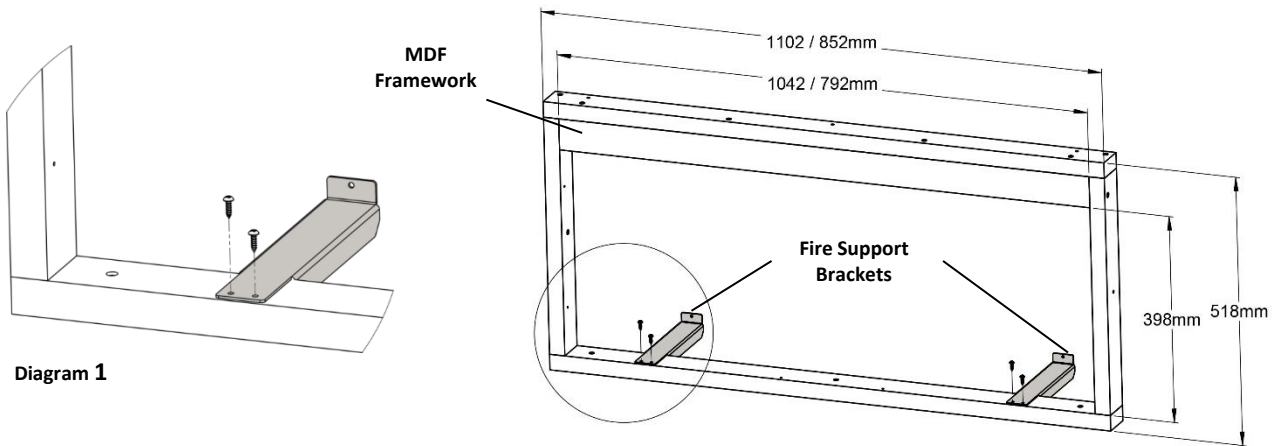


Diagram 1

MDF Framework	H (mm)	W (mm)
Volta 42"	518	1102
Volta 32"	518	852

Finished Opening Size	H (mm)	W (mm)	Min Inset (mm)
Volta 42"	398	1042	Min 238
Volta 32"	398	792	Min 238

Fix the **2 x Fire Support Brackets** using **4 x No.8 x15mm Domed-Head Screws** into the pre-drilled holes on the MDF framework . 2 x per bracket.

For installation into a **pre-fabricated** chimney breast follow the instructions on **Page 5** then continue onto Page 7.

For installation into a existing **Masonry** chimney breast follow the instruction on **Page 6** then continue onto Page 7.

## Assembly- Pre-fabricated Chimney Breast

Before commencing further with the installation please ensure the 2 X **Fire Support Brackets** have been attached to the **MDF Framework**, these set the minimum depth required for installation- **238mm**. As shown on **Page 4**.

Decide on the installation height of the fire and construct the studwork around the **MDF Framework**. The studwork construction in **Diagram 2** is for guidance only.

Ensuring the front face of the **MDF framework** is flush with the studwork, fix in position through the pre-drilled holes in the **MDF Framework**. 3 x fixing holes in the top and bottom and 1 x fixing hole in each side.

Diagram 2

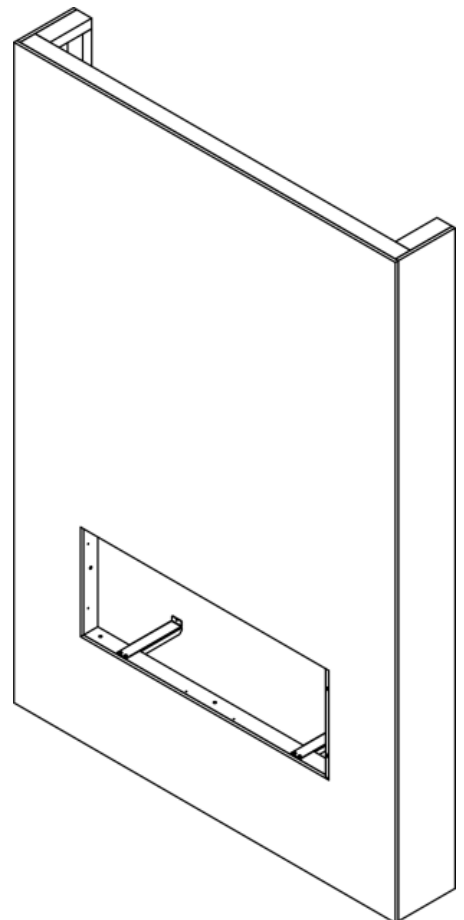
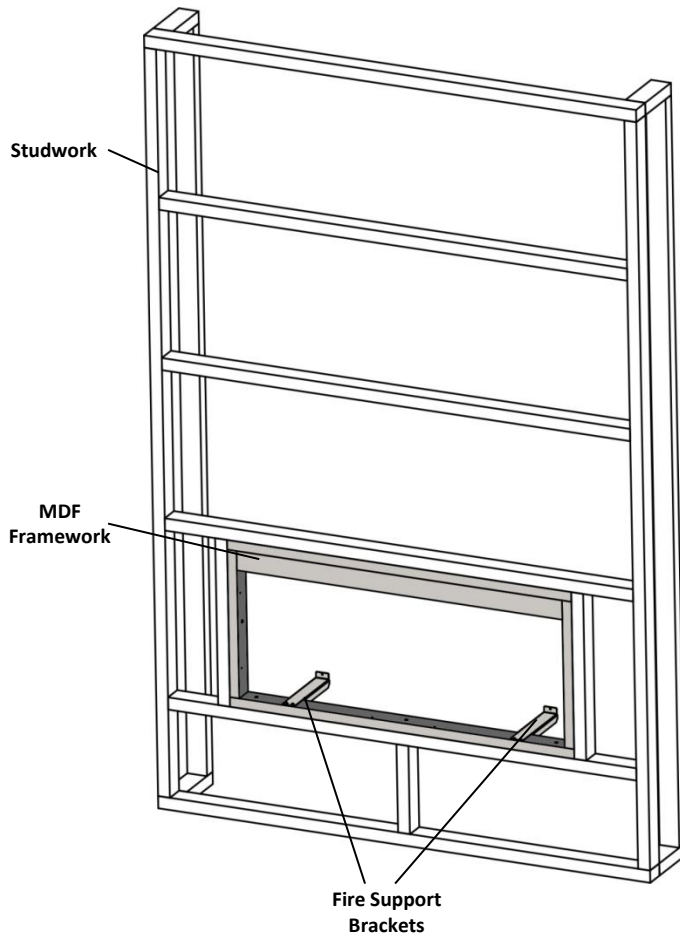


Diagram 3

### Finishing

Plasterboard, skim and decorate the chimney breast, before installing the fire. As shown in **Diagram 3**.

**Note: The fire is installed in a later procedure.**

## Assembly- Existing Masonry Chimney Breast

Before commencing further with the installation please ensure the 2 X **Fire Support Brackets** have been attached to the **MDF Framework**, these set the minimum depth required for installation- **238mm**. As shown on **Page 4**.

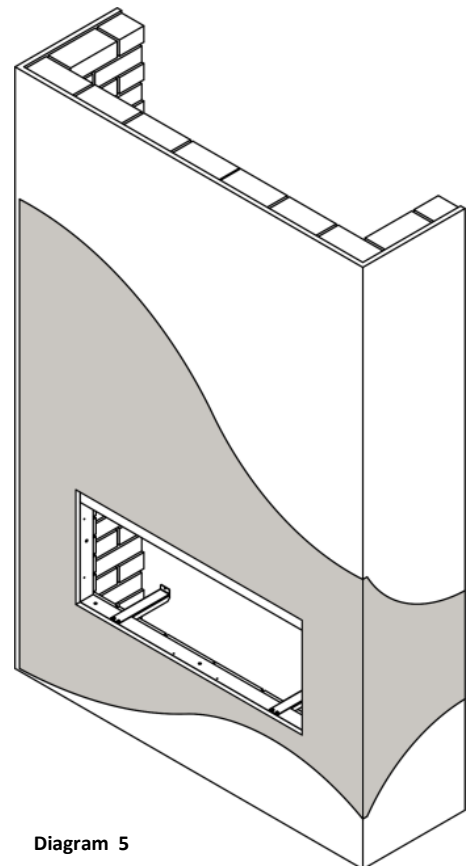
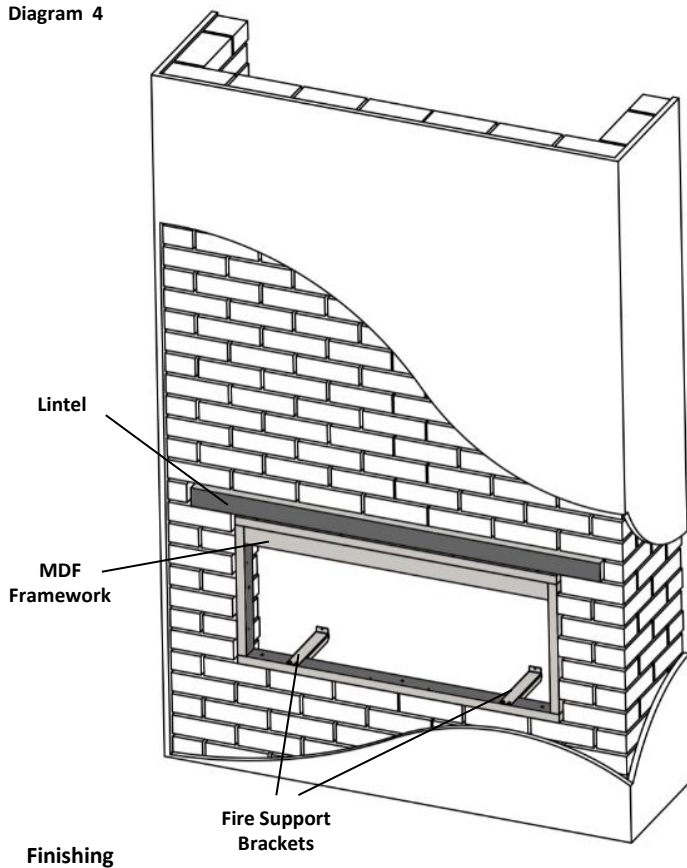
We recommend sealing the **MDF Framework** using an appropriate sealer, especially if the installation site is damp, however this is down to the discretion of the installer.

Decide on the installation height of the fire and using the pre-assembled **MDF Framework** for guidance, mark and cut an opening in the brickwork so that the **MDF Framework** can be fixed flush with the face of the brickwork. As shown in **Diagram 4**.

**Diagram 4** is for guidance only, the final construction will be dependant on how the existing chimney breast is built, if a lintel is required, please seek advice from a professional , with reference to the structural integrity of the installation site.

Ensuring the front face of the **MDF Framework** is flush with the brickwork, fix in position through the pre-drilled holes in the **MDF Framework**. 3 x fixing holes in the top and bottom and 1 x fixing hole in each side. Alternative fixing points maybe be required depending on the material being fixed into.

Diagram 4



Pasteboard or Patch up, skim and decorate the chimney breast, before installing the fire. As shown **Diagram 5**.

**Note: The fire is installed in a later procedure.**

## Assembly- Fire Conversion Kit Installation

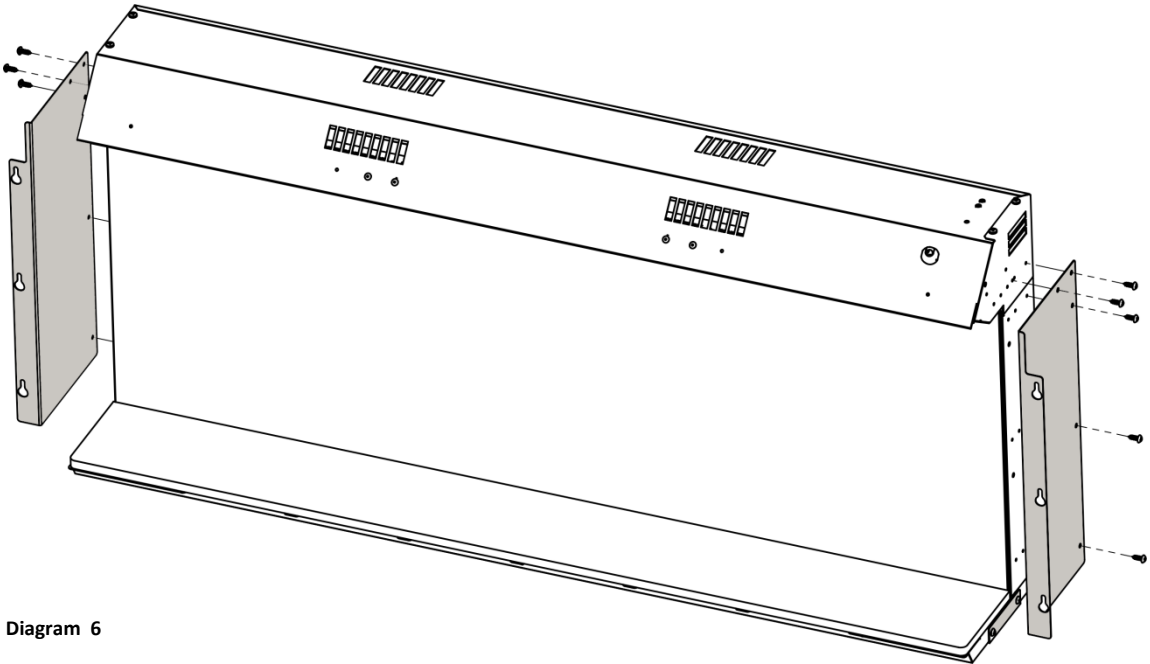


Diagram 6

Remove the existing fire side panels from either side of the fire, as shown in **Diagram 6**. **Retain** the **10 x No.8 x12mm Domed-Head Screws**. 5 x per side. The side panels are no longer required and can be discarded.

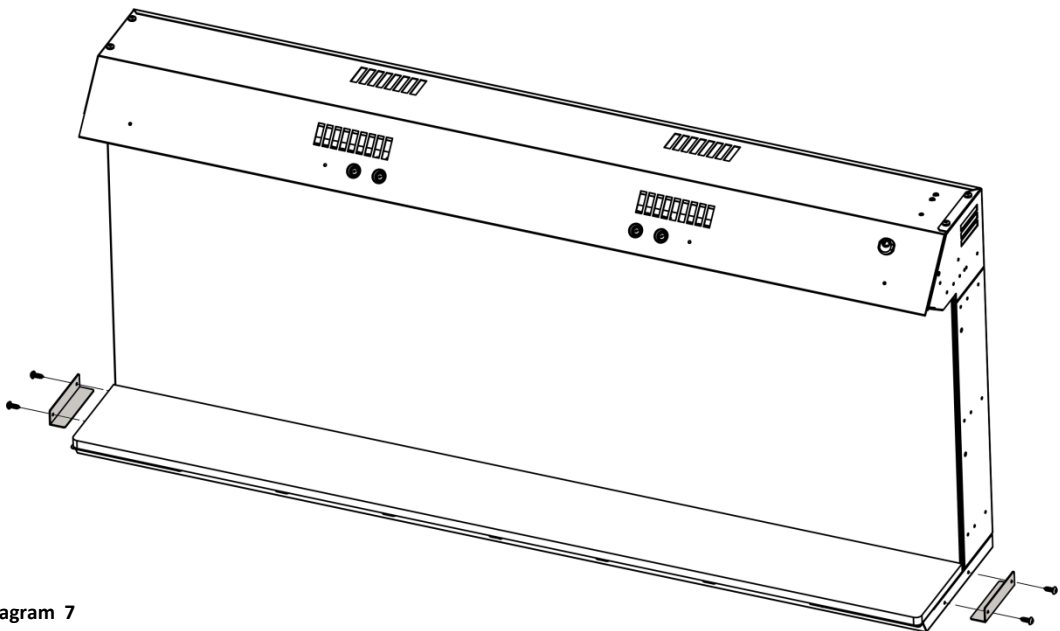


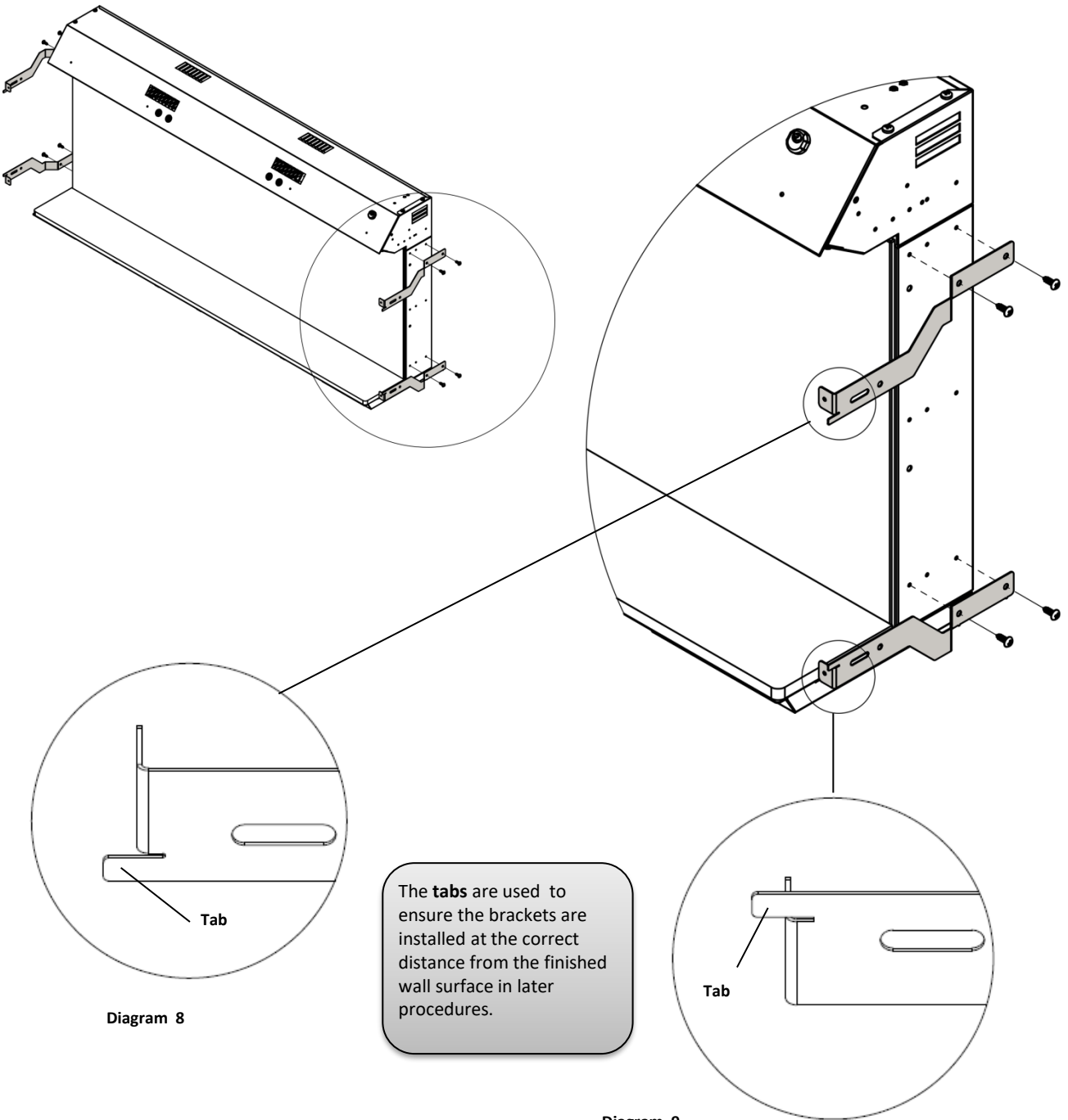
Diagram 7

If applicable remove the transit brackets from the bottom of the fire, as shown in **Diagram 7**. Remove the **4 x No.8 x12mm Domed-Head Screws**. The transit brackets and screws are no longer required and can be discarded.

**Assembly- Fire Conversion Kit Installation *Continued* .....**

Fix the **4 x Angle Brackets** using the previously retained- **No.8 x12mm Domed-Head Screws**. 2 x per bracket.

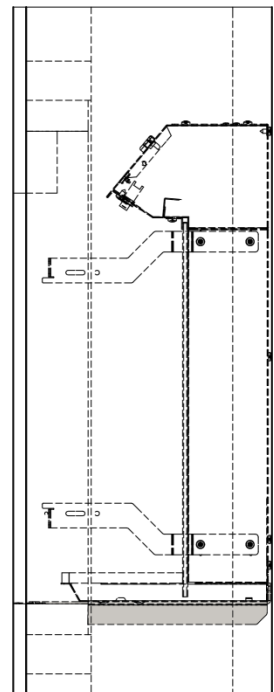
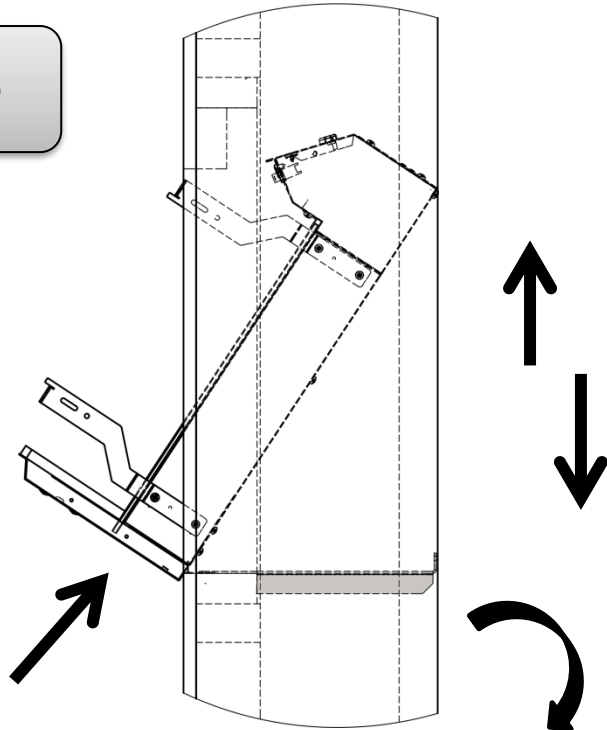
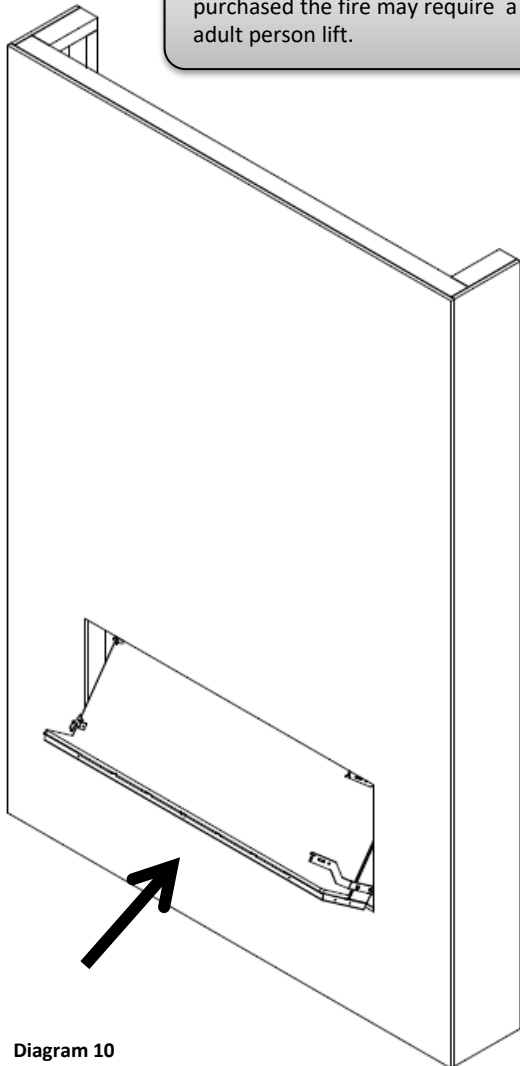
Ensure the brackets are fixed in the correct orientation- the small tab on each bracket should be positioned, as shown in **Diagrams 8 & 9**.





## Installation- Positioning of the Fire

**Note:** Dependant on the model purchased the fire may require a two adult person lift.



**Note:** Before positioning the fire, connect the fire to a power supply.

The next step is to **position** the fire in the opening.

Angle the fire into the opening, as shown in **Diagram 10**, taking care not to damage the bottom long edge of the finished opening.

Once clear of the opening, position the fire towards the back of the opening, so it is clear of the front edge and the **MDF Framework** in the opening is exposed, as shown in **Diagram 11**. This will enable the magnet bracket to be fitted. See **page 10**

**Ensure the product is connected to the power supply before proceeding further.**

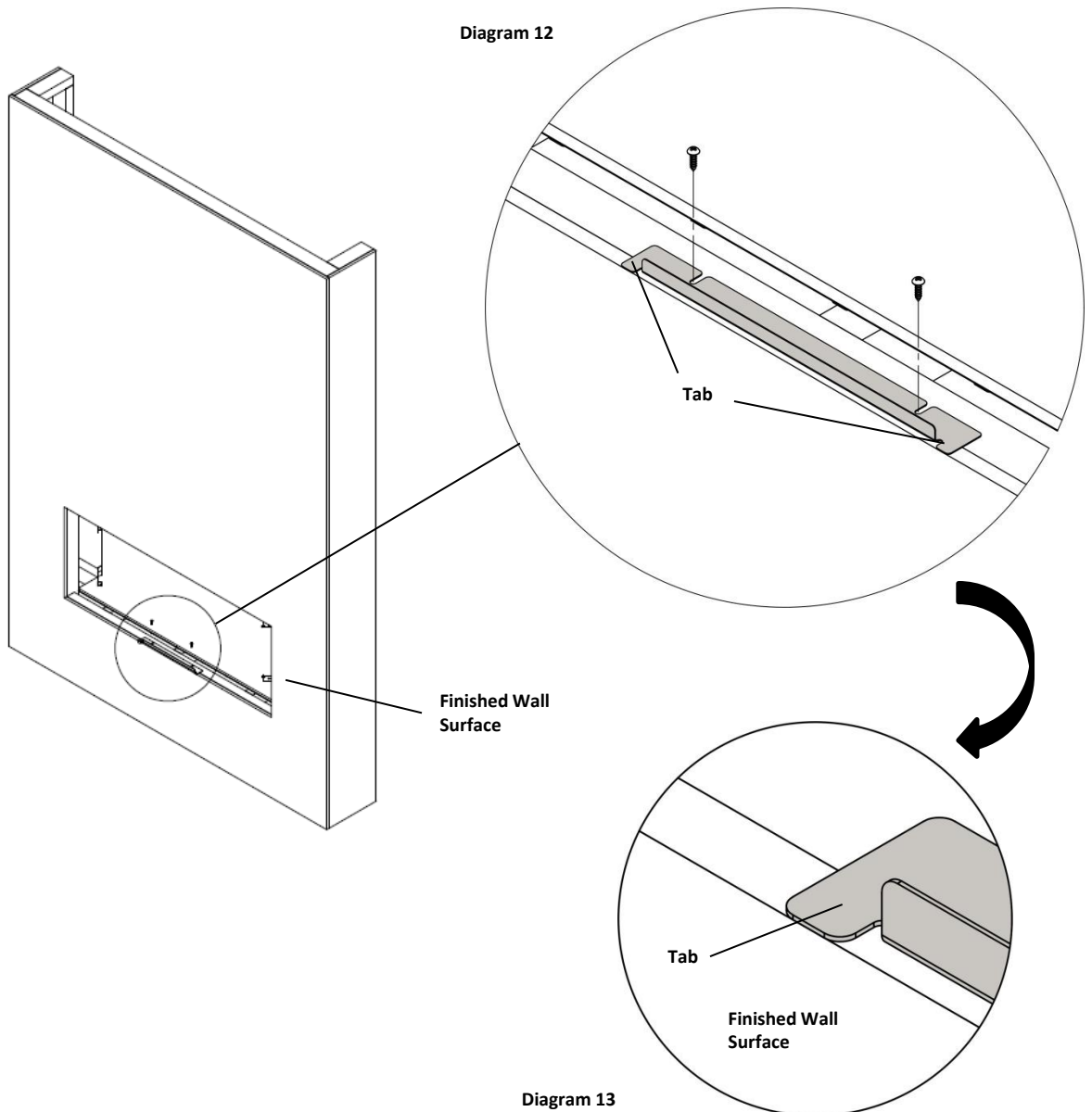
## Installation- Magnet Bracket

**With the fire pushed to the rear of the opening.**

Install the **Magnet Bracket**, as shown in **Diagram 12**, using the supplied **2 x No.8 x15mm Domed-Head Screws**, to fix into the pre-drilled holes in the **MDF Framework**, this will ensure the bracket is fitted centrally in the opening.

Before fixing in position align the tabs on either end of the bracket with the face of the finished wall surface, as shown in **Diagram 13**.

This will ensure the bracket is installed at the correct distance from the front face for the magnet to engage correctly with the trim in a later procedure.

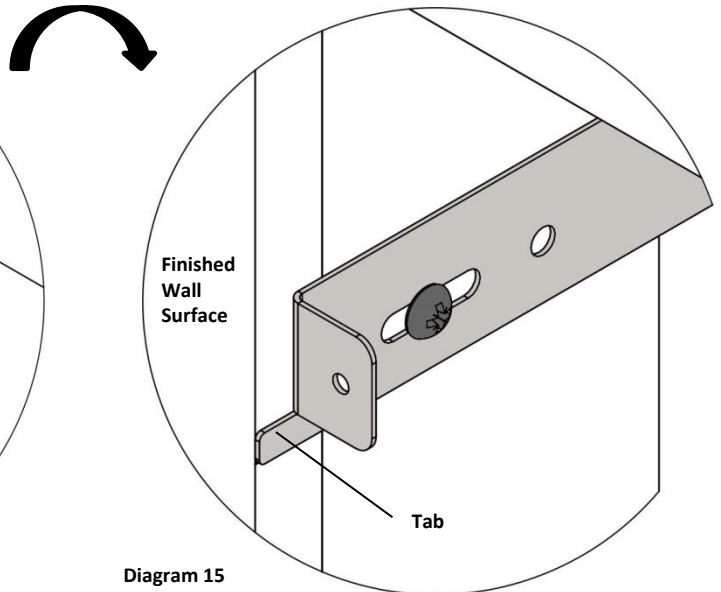
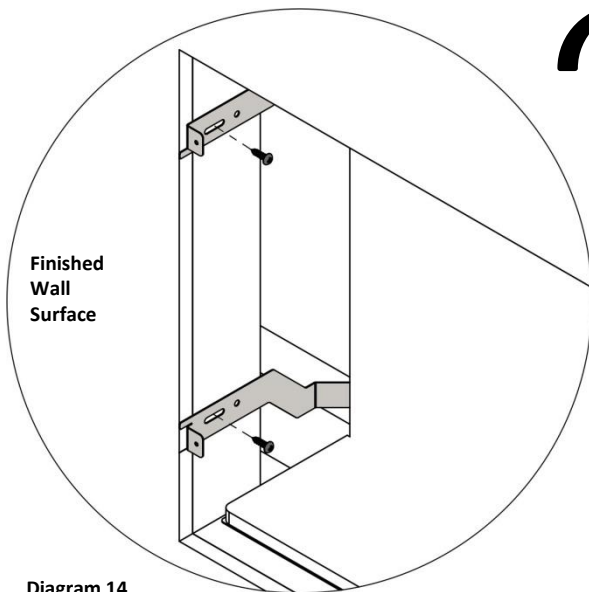


## Installation- Fixing the Fire

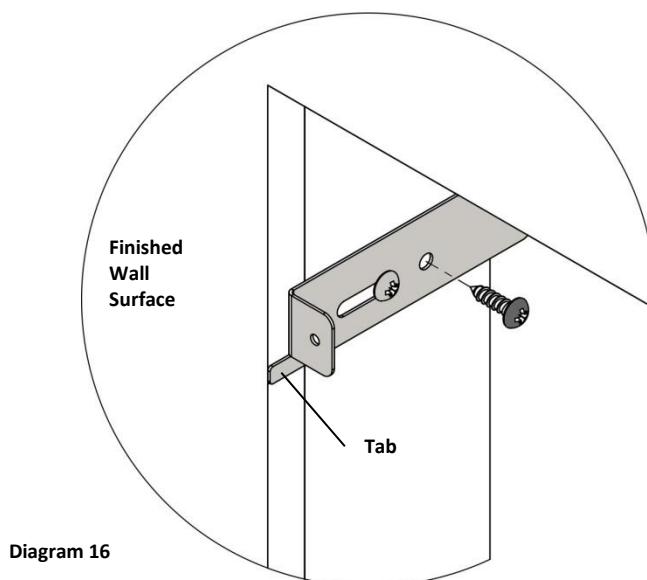
Pull the fire forward to the front of the opening and centralise.

Align the tabs on the angle brackets with the face of the finished wall surface, as shown in **Diagram 14**.

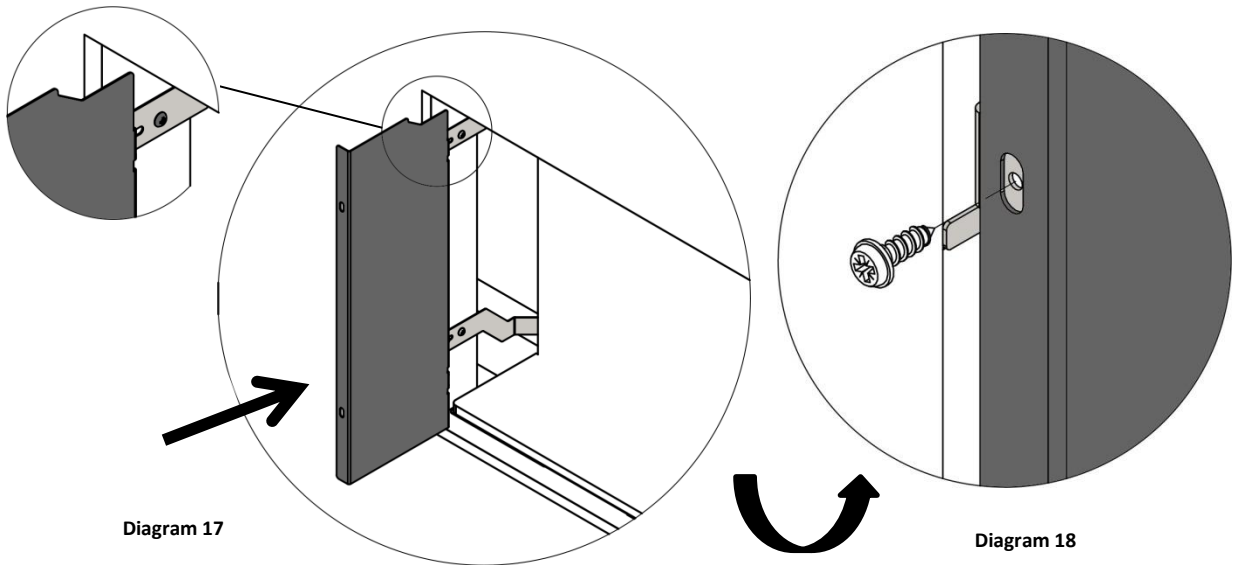
Fix through the **slot** in each bracket, into the pre-drilled holes in the **MDF Framework** using **4 x No.8 x15mm Domed-Head Screws**, whilst aligning the tabs with the face of the finished wall surface, as shown in **Diagram 15**.



Finally drill a pilot hole through the locking holes in the **Angle Brackets** into the **MDF Framework** behind. Using **4 x No.8 x15mm Domed-Head Screws** fix the fire in position, as shown in **Diagram 16**.



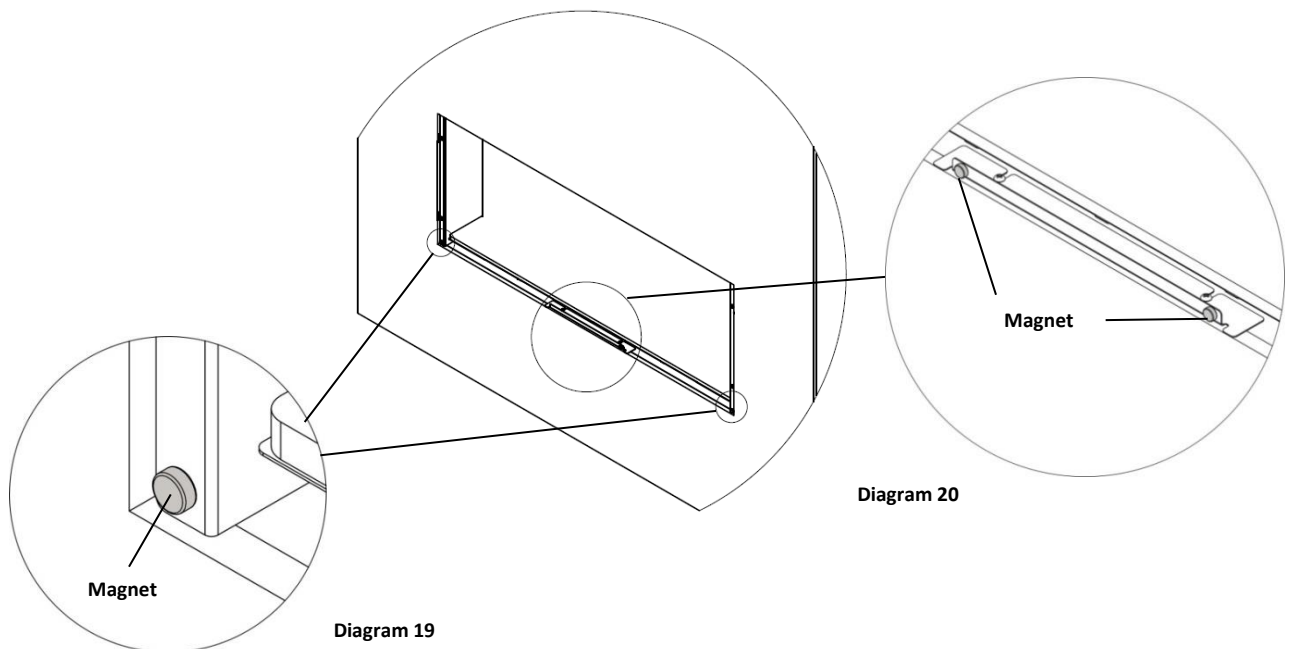
**Installation- Fixing the Fire *continued*....**



**Remove the protective film.**

Position the side panels down the sides of the opening between the fire body and the brackets, as shown in **Diagram 17**.

Secure in position using the **4x No.8 x13mm Pan-Head Washer Screws**, as shown in **Diagram 18**.



Attach the **4 x Ø 10 x 4mm Magnets** in position.

**1 x** in each bottom corner of the opening, onto the metal side panels, as shown in **Diagram 19**.

**1 x** at each end of the magnet bracket, as shown in **Diagram 20**.

## Installation- Fitting the Trim

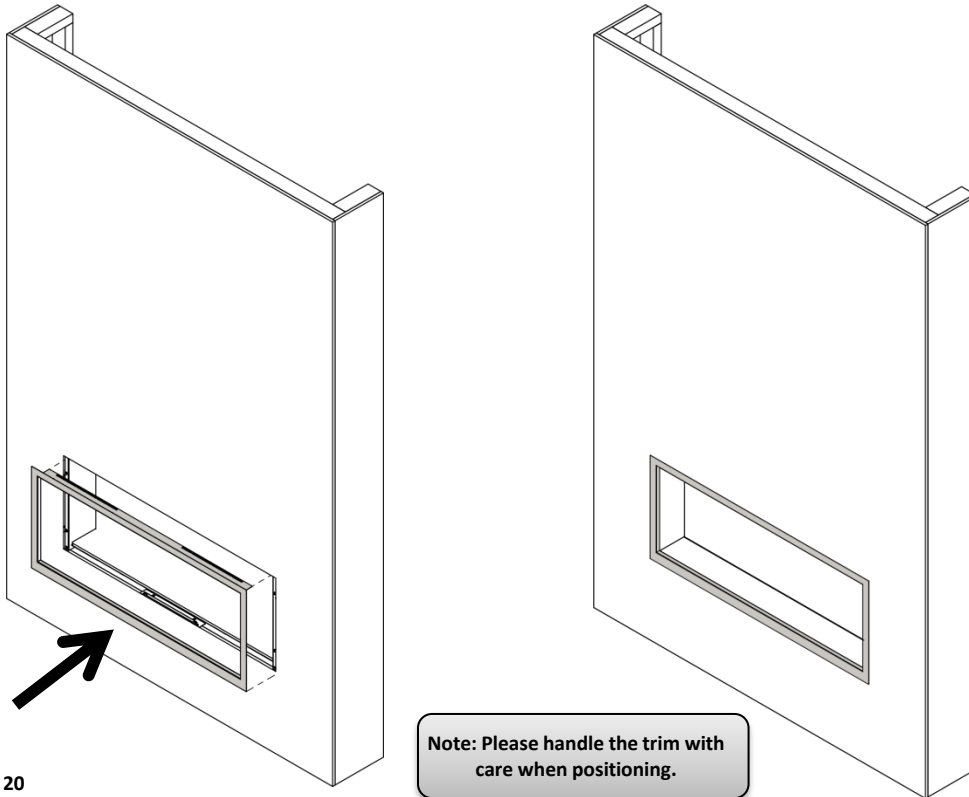


Diagram 20

Finally offer the trim into the opening, engaging the magnets along the bottom edge, as shown in Diagram 20.

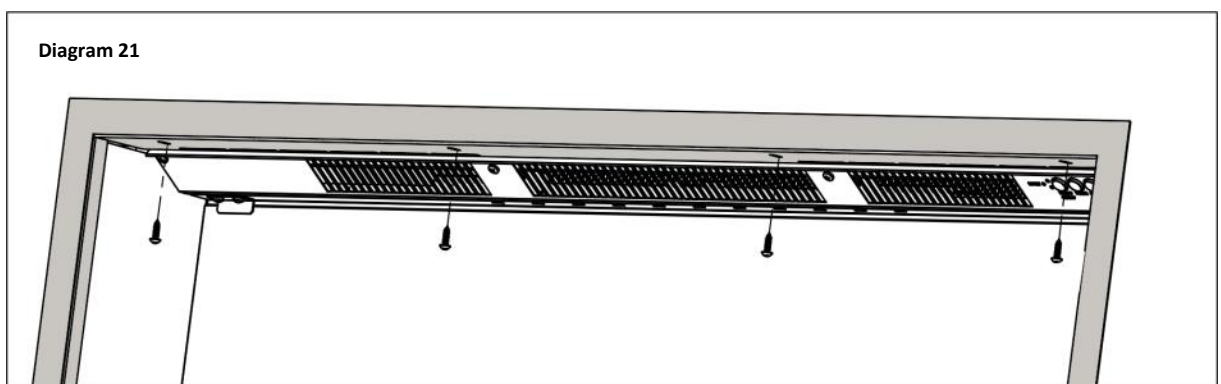


Diagram 21

Once in position secure through the slots on the underside of the trim into the pre-drilled holes in the **MDF Framework**, using **4 x No.8 x15mm Domed-Head Screws**, as shown in Diagram 21.

**Note:** Once installation is complete please refer to the fire instruction to see how to dress the logs on your fire and for the full fire operation guide.

## Maintenance

---

**WARNING:** Before any maintenance or whilst cleaning the exterior of the fireplace, the unit should be disconnected from the power supply until it has cooled down.

### **Cleaning the Fire & Trim**

Cleaning or polishing products are **not** recommended. Fingerprints or other marks on the front glass panel can be removed by a piece of soft, damp, lint-free cloth with a good quality household glass cleaner. The front glass panel should always be completely dried with a clean, lint-free cloth or paper towel.

**CAUTION:** Abrasive cleaners should not be used on the glass panel or Trim. Liquids should not be sprayed directly onto any surface of the unit.

### **Recycling**

All cardboard packing is recyclable.

Should you have any queries please call Customer Services on 01914300901 or email us at [customerservices@bemodern.co.uk](mailto:customerservices@bemodern.co.uk).