



Installation, Precautions & Servicing

Gotham

600 750 900 1300

OmniGlide

600 900 1300

IMPORTANT

Carefully remove the fire from the packing checking neither the heater nor the power cable has been damaged during transport. Do not operate the fire if damaged. Please bear in mind the weight of the fire before removal from the packaging and installation. Consider if help is required. Always read this manual first before attempting to install or use and keep in a safe place. Any alteration to the power cable should only be done by a qualified electrician.

Your fire is guaranteed for two years from the date of purchase. In the unlikely event of a breakdown you have access to our customer services team, simply call **01543 251122** during office hours, 9am – 5pm or e-mail on info@flameritefires.com The accessories are found in a box that is packed at the side of the fire.

This product is only suitable for well insulated spaces or occasional use

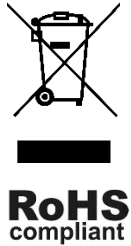


Important Safety Information and Warnings

- **WARNING:** In order to avoid overheating, do not cover the heater.
- For indoor use only.
- Do not use the fire in the vicinity of a bath, shower or swimming pool.
- Never use the fire to dry laundry.
- The heater must not be located immediately below a socket outlet.
- The use of an extension lead is not recommended.
- This appliance can be used by children aged from 8 years and above and persons with reduced physical, sensory or mental capabilities or lack of experience and knowledge if they have been given supervision or instruction concerning use of the appliance in a safe way and understand the hazards involved. Children shall not play with the appliance. Cleaning and user maintenance shall not be made by children without supervision.
- Children of less than 3 years should be kept away unless continuously supervised
- Children aged from 3 years and less than 8 years shall only switch on/off the appliance provided that it has been placed or installed in its intended normal operating position and they have been given supervision or instruction concerning use of the appliance in a safe way and understand the hazards involved.
- Children aged from 3 years and less than 8 years shall not plug in, regulate and clean the appliance or perform user maintenance.
- Some parts of this product can become very hot and cause burns. Particular attention must be given where children and vulnerable people are present
- Caution should be applied to ensure that children do not play with the fuel effects.
- As with any electrical appliance whilst the instructions aim to cover as many eventualities as possible, caution and common sense should be applied when operating your appliance, particularly in the vicinity of small children.
- **CAUTION:** The heater is fitted with an automatic cut out to prevent any damage due to overheating. The element will continually and automatically cut out if the airflow is obstructed. **Never** cover the air outlets. To reset, switch the fire off, disconnect from the mains supply, remove the cause of the overheating. Allow to cool for a suitable period then switch the fire back on.
- **CAUTION:** In order to avoid a hazard due to inadvertent resetting of the thermal cut out, the appliance must not be supplied through an external switching device, such as a timer, or connected to a circuit regularly switched on and off by a utility.

Where a chimney is not blocked off completely, any draw will cause the heater to cut out during use. Care should also be taken when fitting into a cavity wall in case of damp or draft with external air vents fully sealed

RECYCLING



Please recycle responsibly. Take your item to your local recycling centre. You can easily locate your nearest centre on the www.recyclenow.com website or check with your retailer for details on either a collection service or a store take-back scheme (some may apply charges). Councils may offer a household recycling collection service for small electrical items; contact your local authority for more details.

Electrical Connections

Electrical connections. Your appliance comes fitted with a plug that incorporates a 13A fuse. The replacement fuses must be 13A and ASTA approved. If the fuse cover is lost the plug must not be used until a replacement cover, of the same colour, is obtained from an electrical retailer. The appliance is fitted with a moulded plug if it is necessary cut off the plug, for any reason, it must be discarded immediately with the fuse removed. Under no circumstances should any attempt be made to reuse the plug, do not insert into any 13A socket as this could cause a hazard. If the mains cable is damaged it must be replaced by the manufacturer or an authorised technical service centre.

WARNING THIS APPLIANCE MUST BE EARTHED

IMPORTANT

The wires in the mains lead are coloured in accordance with the following code.

Green and yellow:	EARTH
Blue:	NEUTRAL
Red:	LIVE

As the colours of the wires in the mains lead of this appliance may not correspond with the colour markings in your plug proceed as follows: -

- The wire which is coloured green and yellow must be connected to the terminal in the plug which is marked with the letter E, or coloured green or coloured green and yellow, or marked with the earth symbol
- The wire which is coloured blue must be connected to the terminal in the plug which is marked with the letter N, or coloured black.
- The wire which is coloured brown must be connected to the terminal in the plug which is marked with the letter L, or coloured red.

Insert the plug tightly into its IEC connector underneath the fire if not already done so. If the removal of the plug is absolutely necessary for installation, cut off in an area within 100mm only of the plug itself. Any further will affect your warranty.

Installation Instructions

DO NOT TWIST, FORCE OR SQUEEZE THE FIRE DURING THE INSTALLATION PROCESS.

There must be enough clearance for the fire to comfortably fit inside or against a wall. **DO NOT SQUEEZE INTO AN OPENING** as this may deform the case and stop the glass from moving correctly.

The height at which you may wish to fix the fire in or on the wall is up to you, we recommend anywhere from 350-450mm from the floor to the bottom of the fire opening (not the bottom of the fire).

The fire must be well supported in or on any structure. A wall support or lintel should be fitted at the required height to ensure the appliance does not support the weight of the finished wall or chimney breast. Never secure to just plaster board alone.

1. **Gotham**

Please test the fire before permanently boarding, sealing or plastering into place.

Secure into place using the fixings provided.

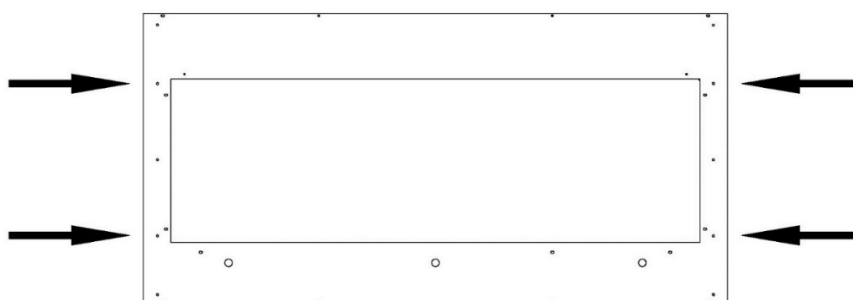
Situ	Screws	Rawl Plugs
Stud Wall	4 x 35mm	N/A
Chimney	4 x 35mm	5.5mm x 34mm
Fireplace	4 x 35mm	5.5mm x 34mm
*Flamerite Suite	4 x 15mm	N/A

The minimum opening size to inset your fire

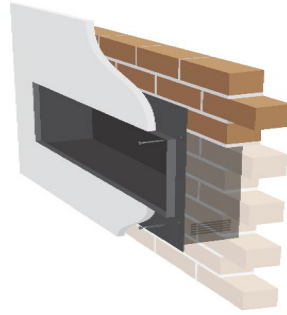
Model	H	W	D
600	740mm	615mm	180mm
750S	635mm	765mm	180mm
750T	885mm	765mm	180mm
900	510mm	915mm	180mm
1300	510mm	1315mm	180mm

Four larger counter sunk holes will be visible at each corner of the opening to secure your fire.

**(Only, if fitting a Gotham into a Flamerite fireplace suite, this will be done from the back).*



When inserted into a wall, the front flange of the Gotham pictured below should fit behind the plaster board and against the brick or stud work.



Visible burn area after fitting

Model	H	W
600	500mm	604mm
750S	408mm	754mm
750T	650mm	754mm
900	280mm	904mm
1300	280mm	1304mm

2. OmniGlide (inset)

Secured into place using the fixings provided.

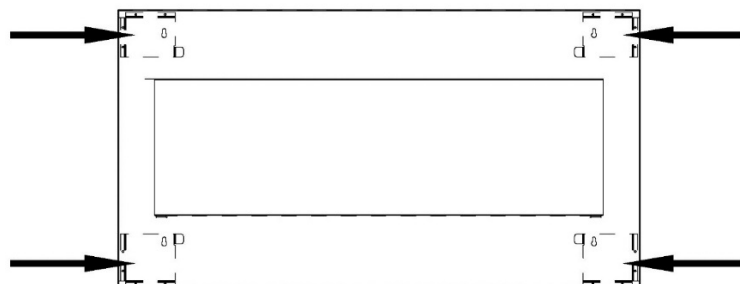
Situ	Screws	Rawl Plugs
Stud Wall	4 x 35mm	N/A
Chimney	4 x 35mm	5.5mm x 34mm
Fireplace	4 x 35mm	5.5mm x 34mm
Suite	4 x 15mm	N/A

The minimum opening size to inset your fire

Model	H	W	D
600	725mm	605mm	180mm
900	505mm	920mm	180mm
1300	505mm	1350mm	180mm

Looking at the arrows in the image below, four larger counter sunk holes are visible at each corner of the fire. Secure the flanged area of the OmniGlide using the fixings provided in front of a finished wall.

Lift the decorative front over the screws protruding from the fire body and insert into the corresponding keyhole slots and push down. The screws are adjustable for a tight fit.



Log Effect

The log effect must be positioned according to the images below. Care must be taken to ensure there is enough room between the front of the logs and the glass channel at the front of the opening so the glass may tilt open freely into the fire and trigger the micro switch.

Visit www.flameritefires.com/product-support/instructions-fuel-effects.html if you require clearer downloadable images.

Fuel Bed



600



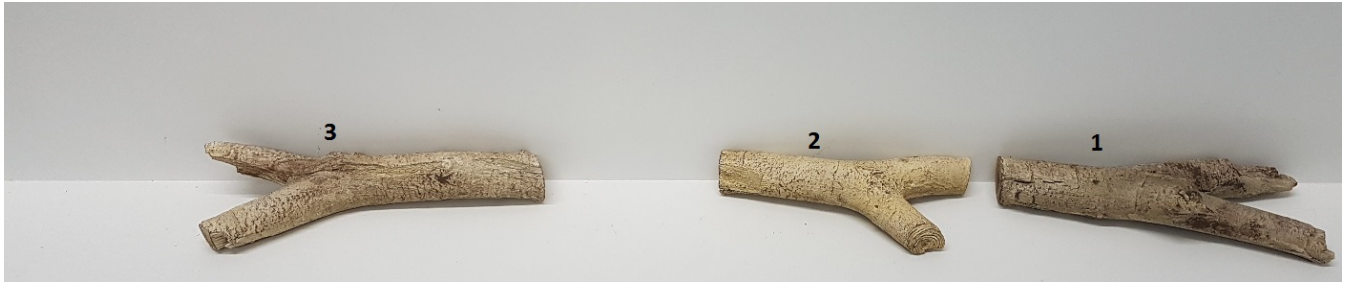
750T



750S

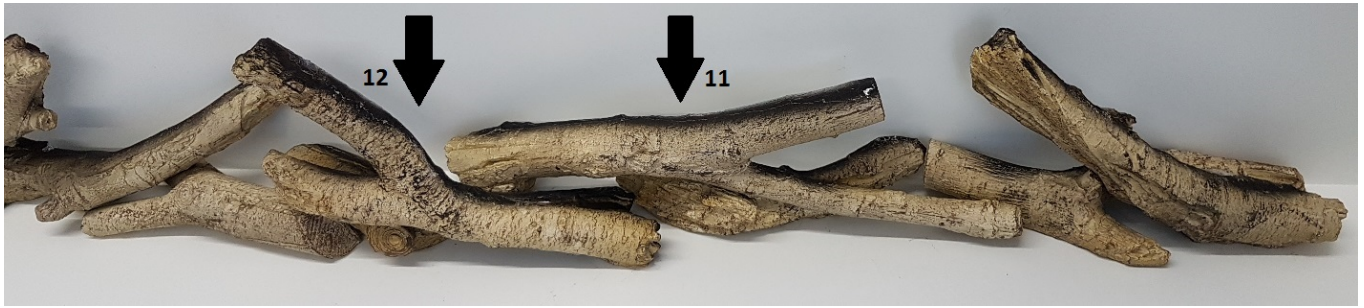


900



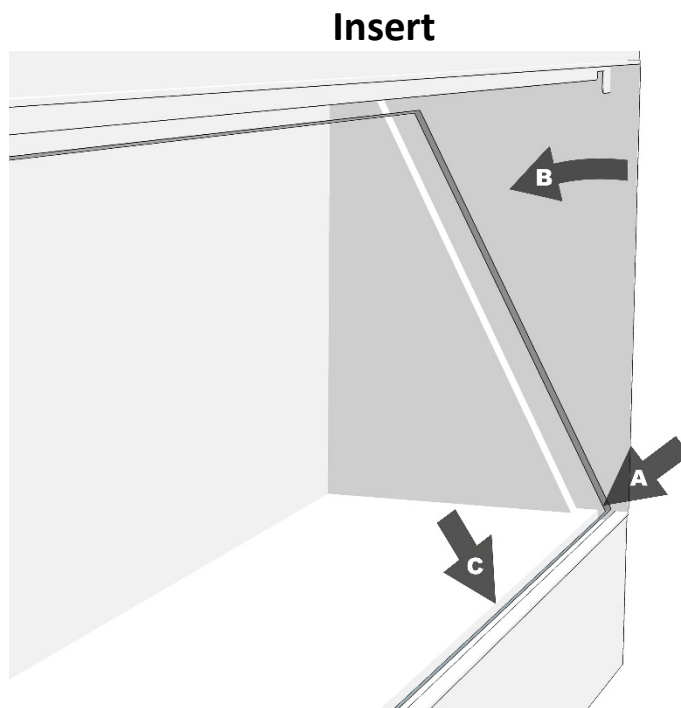
1300





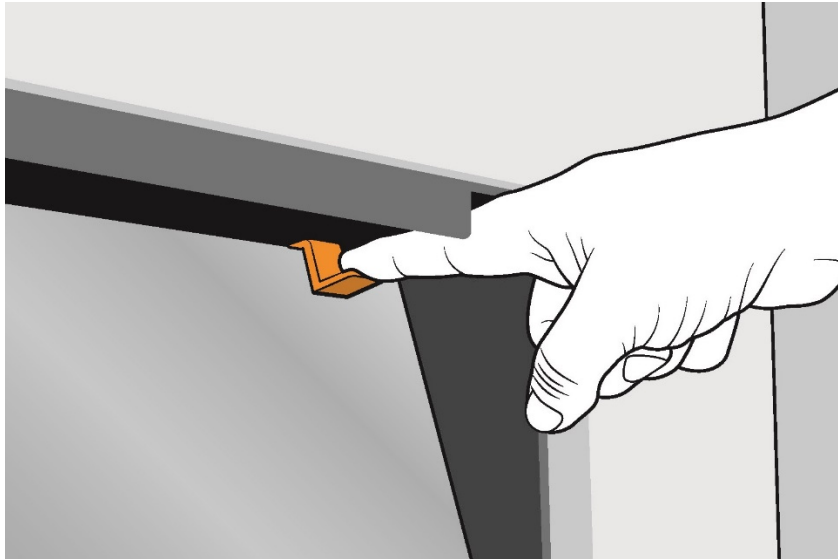
Glass Fitting & Removal

WARNING: The glass used is toughened, if mishandled it is designed to shatter. Extra care should be taken during this procedure. Make sure the fire is turned off and the heater allowed to cool.



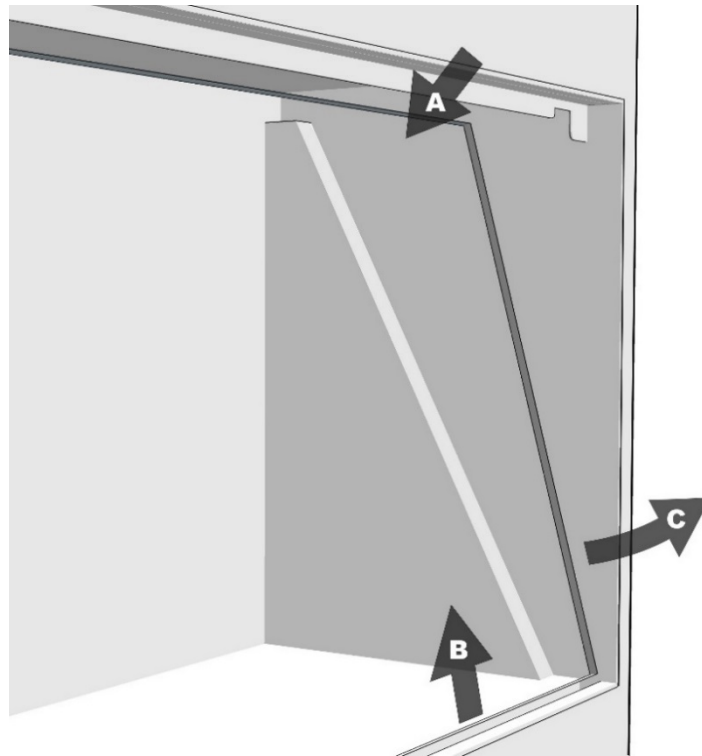
- **A** Hold the glass panel in each bottom corner
- **B** Tilt the top of the glass into the fire
- **C** Place the bottom of the glass panel into the channel
- Adjust the glass panel side to side for a smooth forward and backwards action

Opening & Closing



To open and close the front glass panel, place your index finger on the handle as shown in the picture. You must tilt the glass back to use OmniGlide heat and flame enhancement. Make sure the glass hits and triggers the internal switch to ready the heat, an audible 'click' will be heard. The heater will not work if the switch is not triggered.

Remove



- **A** Hold the glass panel across the top either side of the heater
- **B** Pull up and outward of the channel toward you **C**. **Do not rest on a hard surface**

Maintenance

WARNING: Before any maintenance/cleaning is undertaken, always disconnect the fire from the mains power supply.

Replacing *Radia Flame* LED Lamps

Dimmable 240V 6W 3000k E14 LED lamps

We recommend lamp replacement by a Flamerite service engineer or similarly qualified persons in order to avoid a hazard. Allow a suitable time for the lamps to cool then remove the glass & fuel effect (see Installation). Remove the two screws from either side of the fuel bed and lift out of place. Remove and replace the lamps, fuel bed, fuel effect and glass. Please note that replacement lamps are covered by a 2-year warranty. Replacements are available from Flamerite Fires Ltd

Replacing *Nitra Flame* LED Strips

LED Strips and driver replacement must be undertaken by a Flamerite service engineer or similarly qualified persons in order to avoid a hazard. Please note that replacement lighting is covered by a 2-year warranty. Replacements are available from Flamerite Fires Ltd

Cleaning

The fire can be cleaned with a soft cloth and non-abrasive glass cleaner.

Trouble Shooting

- **No power to the fire:** Check the wall socket, plug, fuse and lamps.
- **Heat turns off quickly after turn on:** Set thermostat to a higher temperature.
- **No illumination:** Make sure fire is turned on. Check heater is working, if so check lamps.
- **Heater blowing cold air:** The safety cut out may have operated. Check for obstruction around the heater. If continually a problem and fitted into a cavity wall or chimney breast check with installer the inset opening has been 100% fully sealed from drawn air and draft.
- **Noise when illuminated:** Due to moving parts, the electric fire will make a noise.
- **Noise from the heater when in use:** The sound of rushing air is normal.

Information Requirements

Information requirement for electric local space heaters

Radia Flame

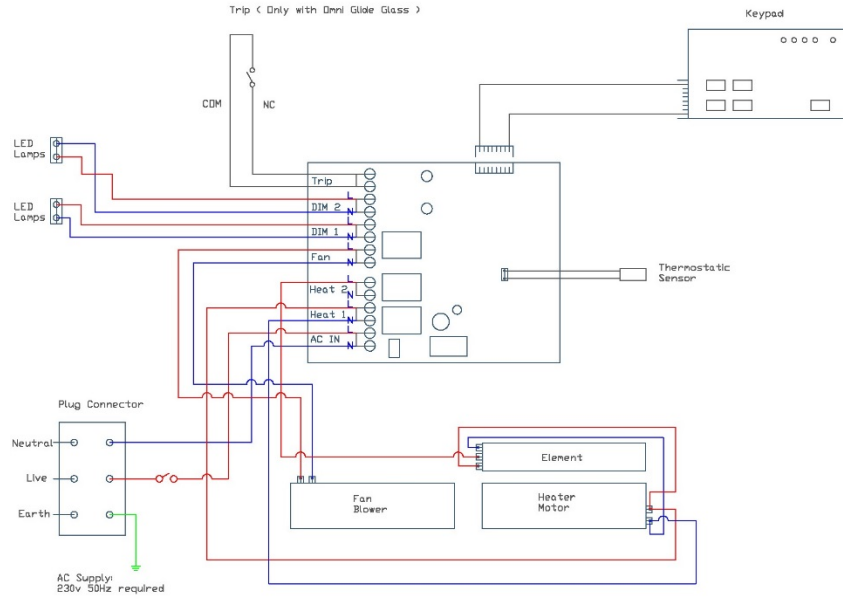
Model identifier (s)		600	900	750	1300	
Item @ 240v 50Hz	Symbol	Value	Value	Value	Value	Unit
Heat output						
Nominal heat output	Pnom	1.5	1.5	1.5	1.5	kW
Minimum heat output (indicative)	Pmin	0.75	0.75	0.75	0.75	kW
Maximum continuous heat output	Pmax,c	1.5	1.5	1.5	1.5	kW
Auxiliary electricity consumption						
At nominal heat	elmax	0.033	0.051	0.045	0.063	kW
At minimum heat	elmin	0.033	0.051	0.045	0.063	kW
In standby	eISB	0.0005	0.0005	0.0005	0.0005	kW
Type of heat output/room temperature control						
With distance control option						
Room temperature control, with open window detection						Yes
Adaptive Start						Yes
With electronic room temperature control plus week timer						Yes
Contact details:	Flamerite Fires Ltd. Greenhough Road, Lichfield. Staffs. WS137AU					

Nitra Flame

Model identifier (s)		600	900	750	1300	
Item @ 240v 50Hz	Symbol	Value	Value	Value	Value	Unit
Heat output						
Nominal heat output	Pnom	1.5	1.5	1.5	1.5	kW
Minimum heat output (indicative)	Pmin	0.75	0.75	0.75	0.75	kW
Maximum continuous heat output	Pmax,c	1.5	1.5	1.5	1.5	kW
Auxiliary electricity consumption						
At nominal heat	elmax	0.027	0.041	0.039	0.051	kW
At minimum heat	elmin	0.027	0.041	0.039	0.051	kW
In standby	eISB	0.0005	0.0005	0.0005	0.0005	kW
Type of heat output/room temperature control						
With distance control option						
Room temperature control, with open window detection						Yes
Adaptive Start						Yes
With electronic room temperature control plus week timer						Yes
Contact details:	Flamerite Fires Ltd. Greenhough Road, Lichfield. Staffs. WS137AU					

Wiring Diagrams

Radia Flame



Nitra Flame

