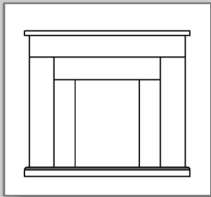
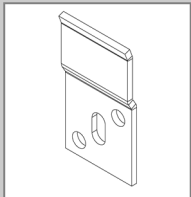
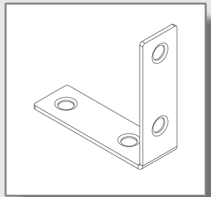
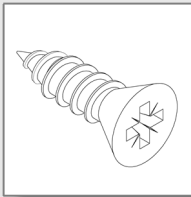


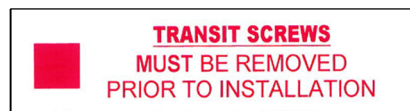
Parts & fittings supplied

REF	PARTS	DIAGRAM	QTY	REF	PARTS	DIAGRAM	QTY
A	Mantel Suite with Electric Fire		1	C	Wall Bracket		2
B	Mantel Bracket		2	D	16mm Screws		4

Before you start

DO NOT dispose of the packaging until you have checked and made sure you have all the parts and fittings listed above. If not, contact: BE MODERN - HELPLINE 0191 430 0901 who will be able to assist you with this and any other problems you may encounter.

When you are ready to start, make sure that you have the right tools to hand, plenty of space and a clean dry working area. NB. Protect the surface you are working on to prevent any possible damage to the fire surround or floor. **Important:** Remove the fire transit screw from rear of the suite. These are identified by a text transit screw sticker and red square transit screw stickers. Remove transit card from above fuel bed at the front of the fire before installation.



Fire Instructions

For fire instructions please refer to separate instructions supplied.

Care

To maintain the appearance of your new suite we recommend that it is dusted using a lint free cloth. NEVER use any form of abrasive or DAMP cloth.

Tools (not supplied) for fixing to wall

- Drill
- Pencil
- Screw Driver
- Ruler
- Tape Measure

Installing The Mantel

1. Trial fit the mantel in the required position. Remove any obstructions, ie. cut to shape or remove skirting to allow the mantel to butt up to the wall.

Note: Mantel is a two adult person lift.

2. Screw the 2 mantel brackets (B) to the inside of each leg using the 4 screws provided (D - 16mm), making sure that the brackets are flush with the rear of the leg.

See Fig.1&2

3. With the mantel in position. Lightly scribe the wall in line with outer edges of the mantel. Lift the mantel away from the wall. Measure inwards from the previously scribed line the thickness of the mantel leg plus 10mm.

See Fig.2

4. Fix the wall brackets (C) in place using the appropriate fixing dependent on the type of wall (Fixings are not supplied). Ensure mantel brackets (B) will fall halfway between the folds on the wall brackets (C).

See Fig.2

5. **IMPORTANT:** If a power cable is to be routed to the rear of the mantel. Care must be taken not to crush or damage the cable when positioning the mantel.

6. Lift the mantel onto the wall brackets (C) and confirm it is securely held in place.

7. In the unlikely event of the electric fire requiring repair or replacement, it may be necessary to remove the whole mantel from the wall position, this can be done by lifting the mantel straight up, off the fixing brackets located at the rear. To replace the suite please follow steps 5. and 6. above.

NB. Should a defect be discovered and in the event of a suite being permanently fixed to the wall the householder will be responsible for any costs incurred.

Fig.1

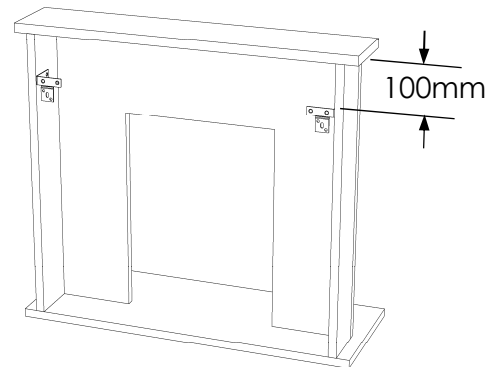
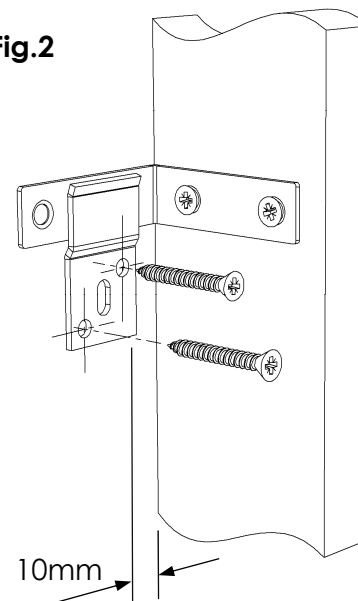


Fig.2



Where appropriate please recycle packaging responsibly.